

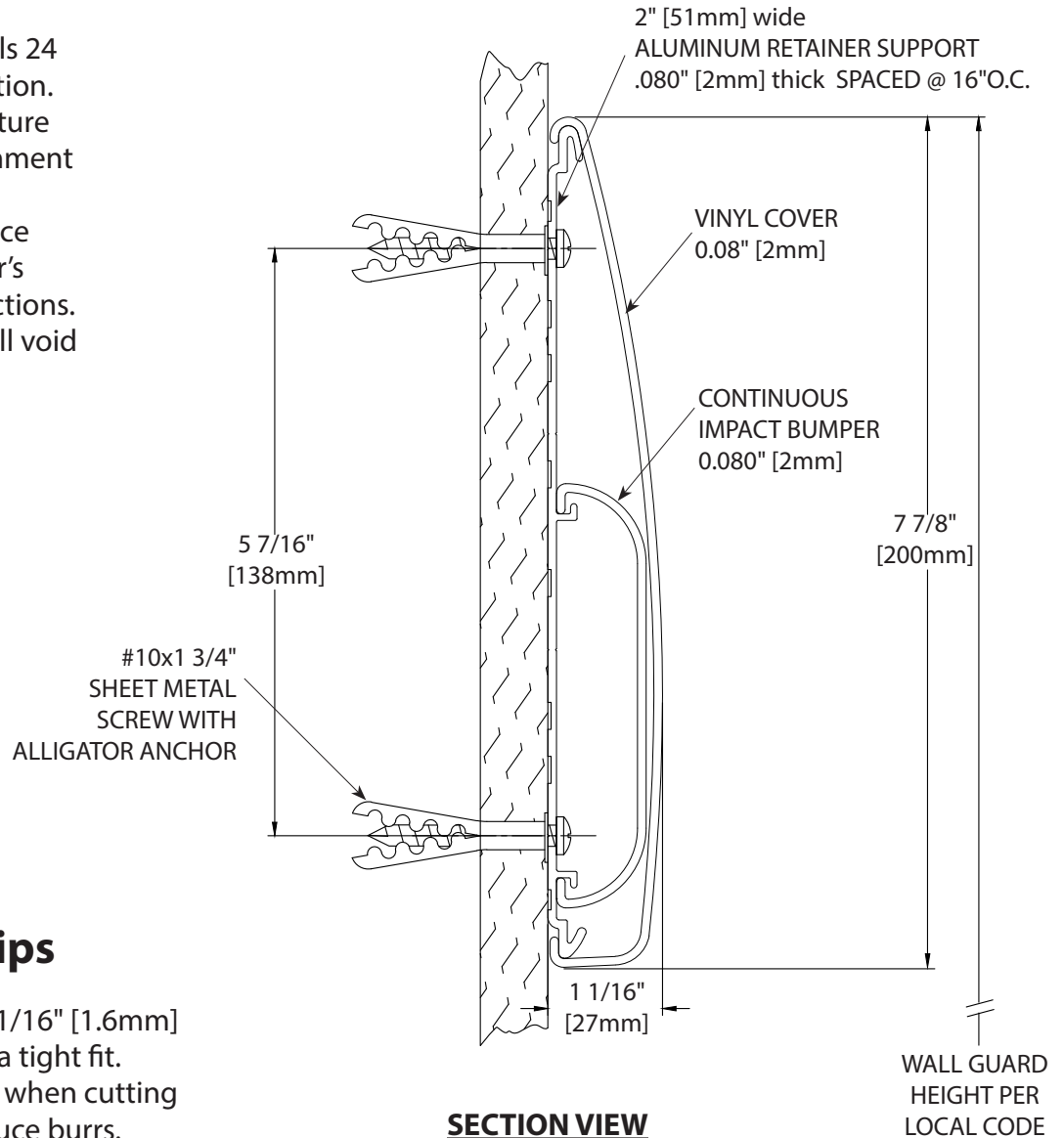
Installation Instructions

1800i/G2-1800i Wall Guard

Please read all instructions before installing
Wall Guard.

Important

1. Acclimate materials 24 hrs before installation. Maintain temperature controlled environment after installation.
2. Install in accordance with manufacturer's installation instructions. Failure to do so will void the warranty.



Installation tips

1. Cut covers up to 1/16" [1.6mm] longer to ensure a tight fit.
2. Lubricate blades when cutting aluminum to reduce burrs.

RECOMMENDED TOOLS

Safety Glasses, Tape Measure, Power Drill, Drill Bits - 1/4" masonry (concrete/concrete block), Power Miter Saw, 10" Blade with 60-80 Carbide Tipped Teeth

IPC.354/REV.7

Installation Hotline . 866.EZINPRO

Inprocorp.com . 800.222.5556 . 262.679.9010

World Headquarters S80 W18766 Apollo Drive, Muskego, WI 53150 USA

IPC® •

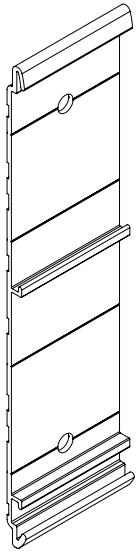
DOOR + WALL PROTECTION SYSTEMS
A DIVISION OF INPRO®

Installation Instructions

1800i/G2-1800i Wall Guard

Please read all instructions before installing Wall Guard.

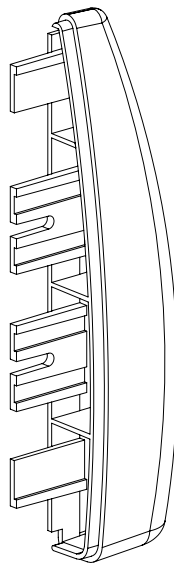
Components and Fasteners



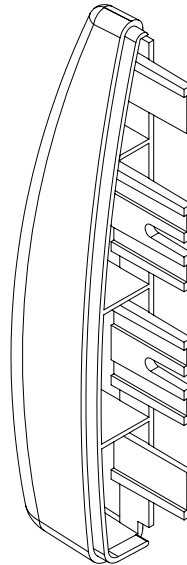
1800AI
ALUMINUM RETAINER
SUPPORT



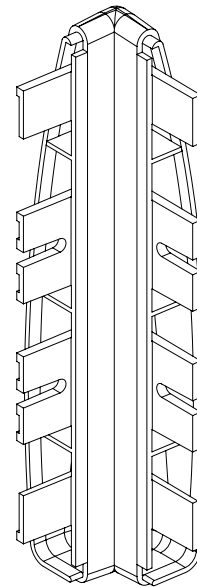
1800V
VINYL COVER



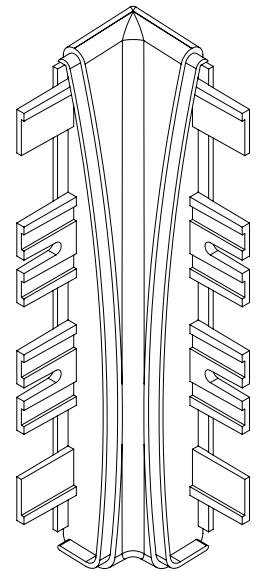
1801-R
RIGHT END CAP



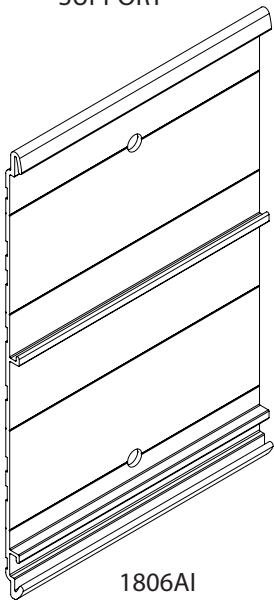
1801-L
LEFT END CAP



1802
OUTSIDE CORNER



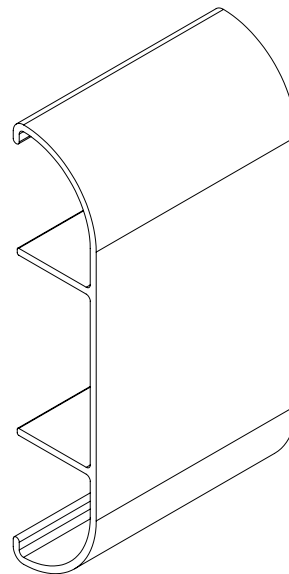
1803
INSIDE CORNER



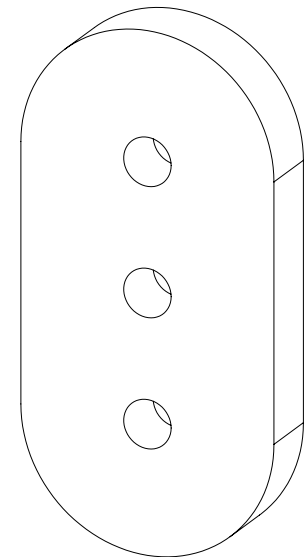
1806AI
ALUMINUM RETAINER
SPLICE SUPPORT



700B
VINYL IMPACT
BUMPER



706A
ALUMINUM SPLICE



1601
RUBBER SPACER
1/2" THICK
(OPTIONAL)

Fasteners

| Wall Condition | Specified Fasteners | Inpro part # |
|--------------------------------|--|---------------|
| Wall Guard Profile Hardware | #10 1 3/4" Phillips pan head sheet metal screw with alligator anchor | HWK-700I |
| Concrete Hardware for End Caps | #10 1 3/4" Phillips pan head sheet metal screw with alligator anchor | HWK-701C |
| Drywall Hardware for End Caps | #8 x 1 1/2" Phillips Indented Hex Washer Self-Drilling Screw #2PT ZP | HWK-701D |
| Concrete Hardware for Corners | #10 1 3/4" Phillips pan head sheet metal screw with alligator anchor | HWK-702/707C |
| Drywall Hardware for Corners | #8 x 1 1/2" Phillips Indented Hex Washer Self-Drilling Screw #2PT ZP | HWK-702/707DW |

Installation Hotline . 866.EZINPRO

Inprocorp.com . 800.222.5556 . 262.679.9010

World Headquarters S80 W18766 Apollo Drive, Muskego, WI 53150 USA

IPC®

DOOR + WALL PROTECTION SYSTEMS

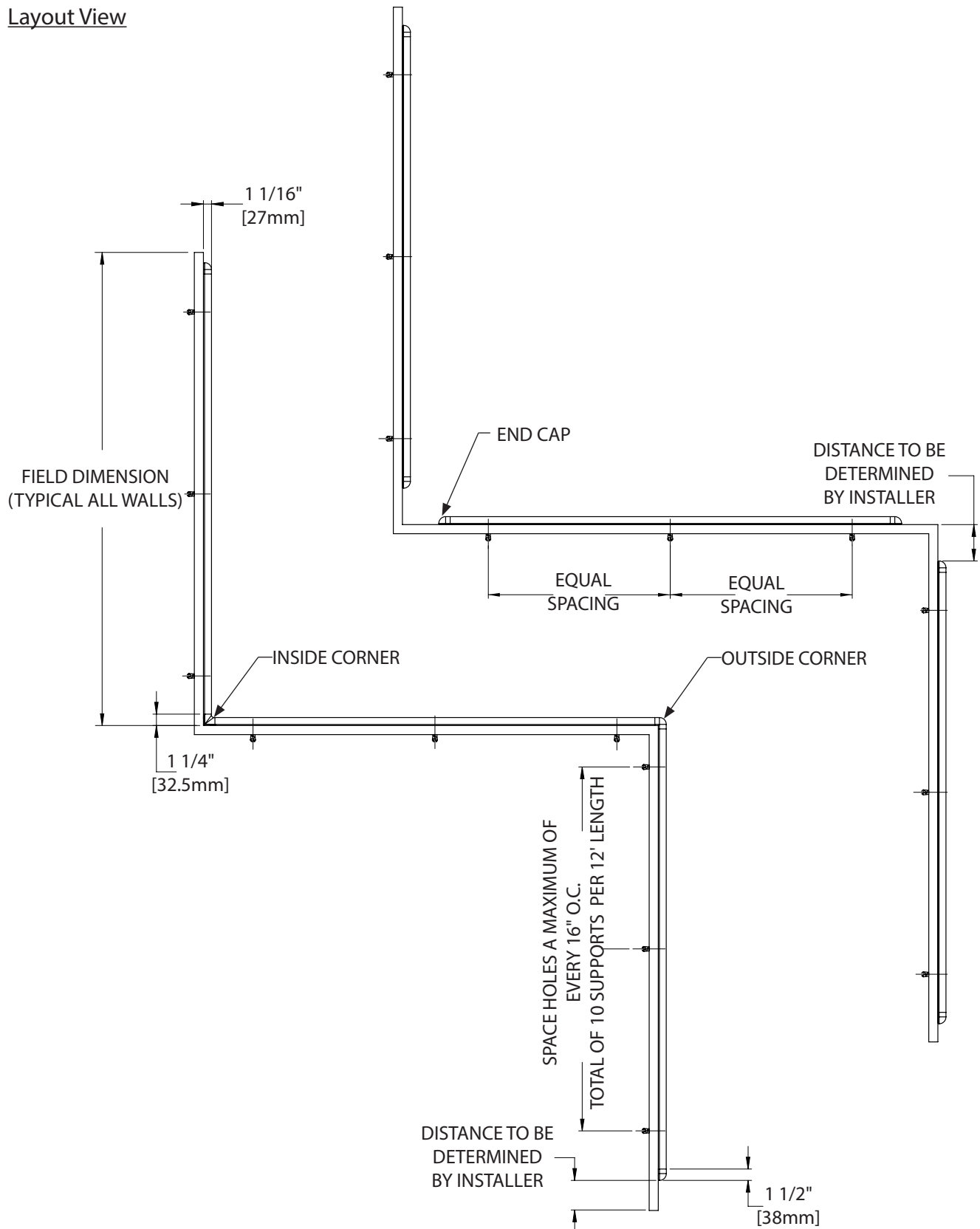
A DIVISION OF INPRO®

Installation Instructions

1800i/G2-1800i Wall Guard

Please read all instructions before installing
Wall Guard.

Layout View



Installation Hotline . 866.EZINPRO

Inprocorp.com . 800.222.5556 . 262.679.9010

World Headquarters S80 W18766 Apollo Drive, Muskego, WI 53150 USA

IPC®

DOOR + WALL PROTECTION SYSTEMS

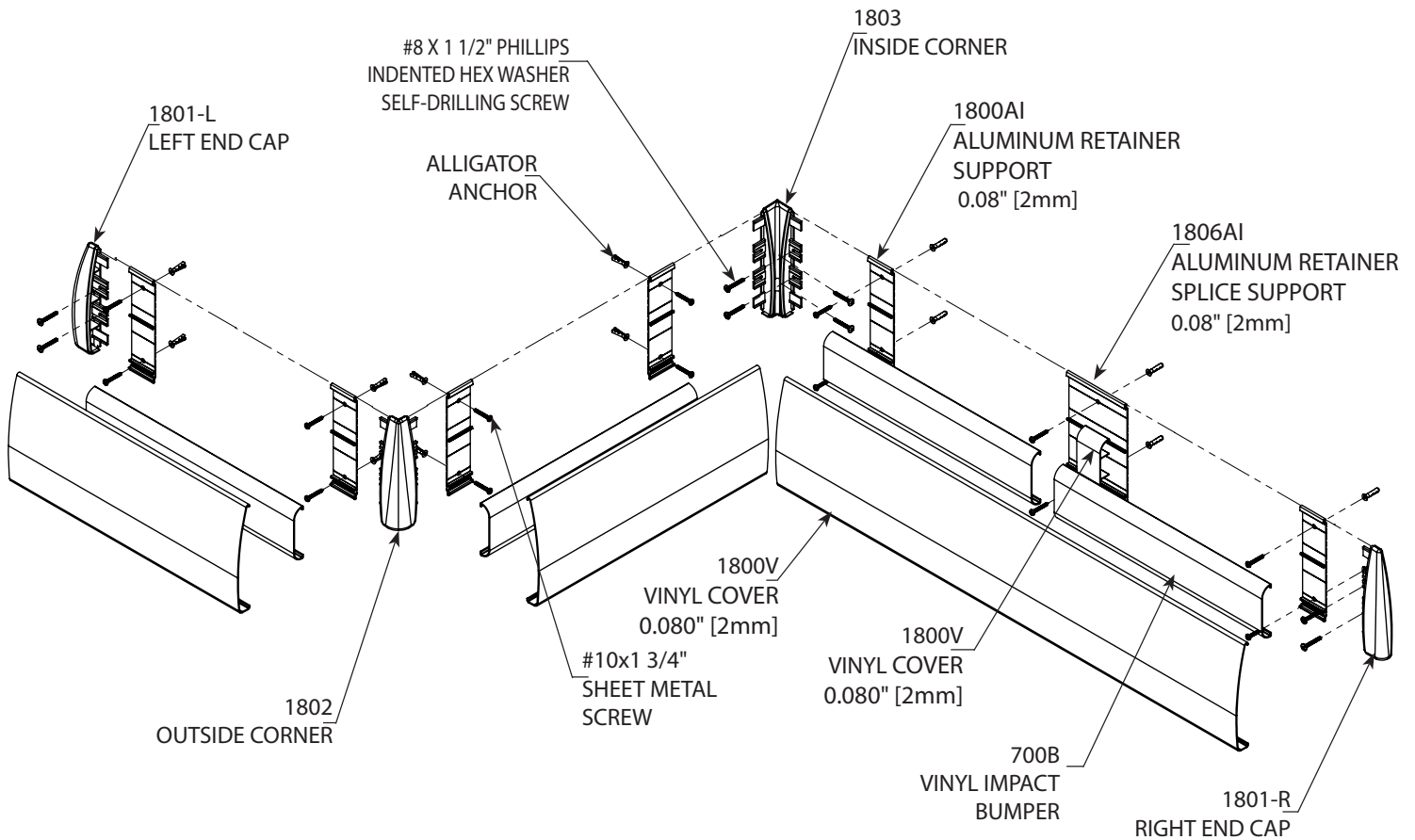
A DIVISION OF INPRO®

Installation Instructions

1800i/G2-1800i Wall Guard

Exploded Assembly View

Please read all instructions before installing Wall Guard.



Installation Hotline . 866.EZINPRO

Inprocorp.com . 800.222.5556 . 262.679.9010

World Headquarters S80 W18766 Apollo Drive, Muskego, WI 53150 USA

IPC®

DOOR + WALL PROTECTION SYSTEMS

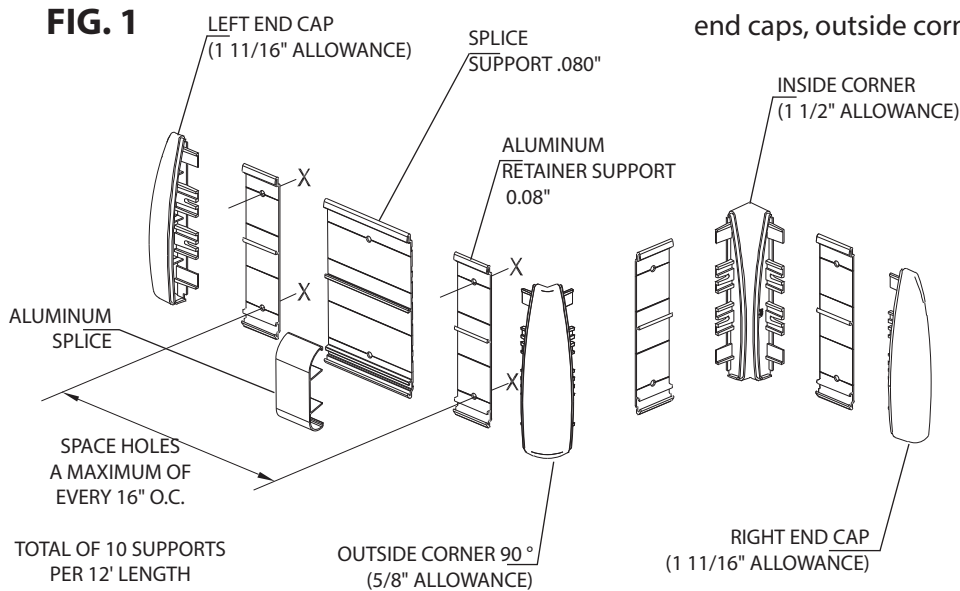
A DIVISION OF INPRO®

Installation Instructions

1800i/G2-1800i Wall Guard

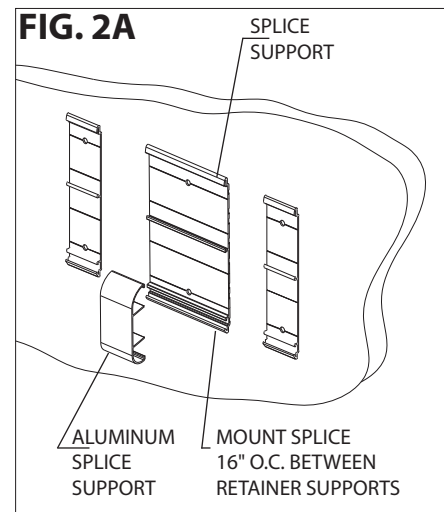
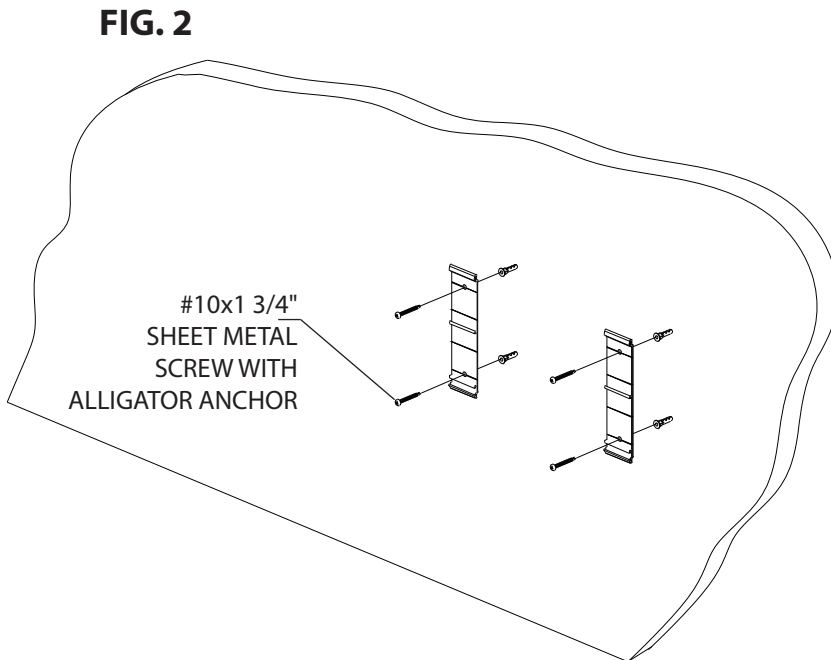
Please read all instructions before installing Wall Guard.

1. Determine height of wall guard on wall. Measure down 215/16" and 65/8" and snap a level chalk line at each mark. Mark mounting holes leaving allowance for end caps, outside corners and inside corners. See figure 1.



2. Drill marked holes on wall using a 1/4" [6mm] drill bit and position Alligator anchors into holes. Mount retainer supports on wall and tighten screws to secure. See figure 2. With lengths over 12', an aluminum splice support is recommended behind vinyl butt joints for added support. See figure 2A.

NOTE: For concrete or brick wall installation, drill 1/4" [6mm] holes, 3/8" [10mm] from end of retainer for end caps/corners.



Installation Hotline . 866.EZINPRO

Inprocorp.com . 800.222.5556 . 262.679.9010

World Headquarters S80 W18766 Apollo Drive, Muskego, WI 53150 USA

IPC®

DOOR + WALL PROTECTION SYSTEMS

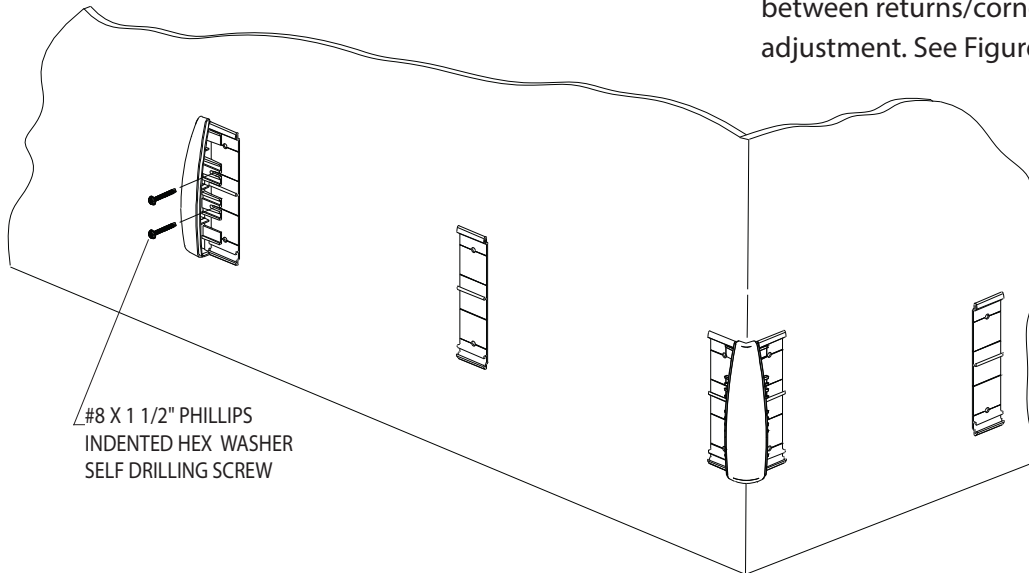
A DIVISION OF INPRO®

Installation Instructions

1800i/G2-1800i Wall Guard

Please read all instructions before installing Wall Guard.

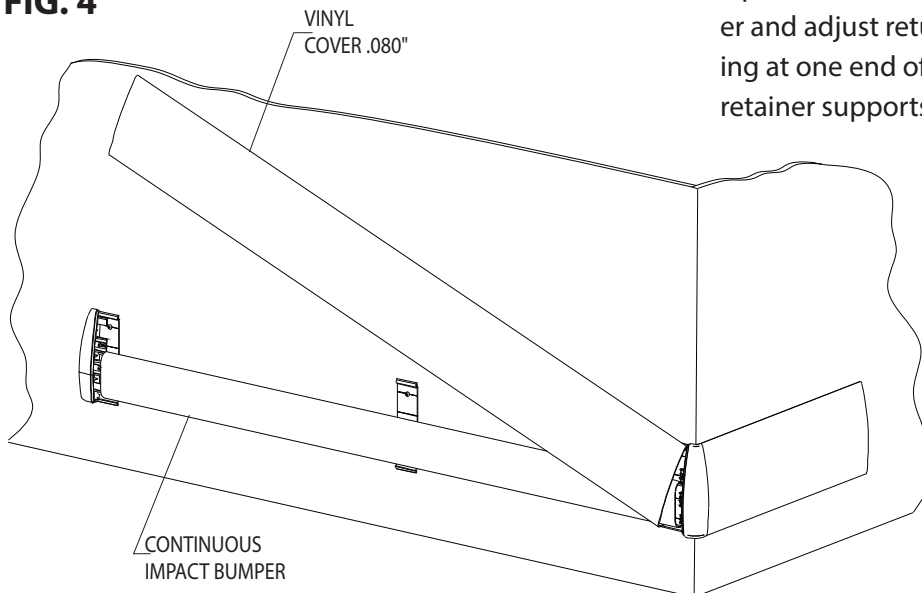
FIG. 3



- Slide end caps and corners onto the retainer support and secure, leaving a 1/16" [1.5mm] gap between returns/corners and retainer to allow for adjustment. See Figure 3.

NOTE: For concrete or brick wall installation, use #10 x 13/4" Phillips pan head screws to secure end caps and corners.

FIG. 4



- Cut the impact bumper to the length between the inside edge of the end caps/corners. Position and snap bumper in place. Cut the cover to length between end caps and/or corners. (Note: Trim factory edges square before installation). Position the cover on retainer and adjust returns and/or corners for a tight fit. Starting at one end of retainer supports, push cover over the retainer supports until it snaps into place. See Figure 4.

Installation Hotline . 866.EZINPRO

Inprocorp.com . 800.222.5556 . 262.679.9010

World Headquarters S80 W18766 Apollo Drive, Muskego, WI 53150 USA

IPC® •

DOOR + WALL PROTECTION SYSTEMS

A DIVISION OF INPRO®