

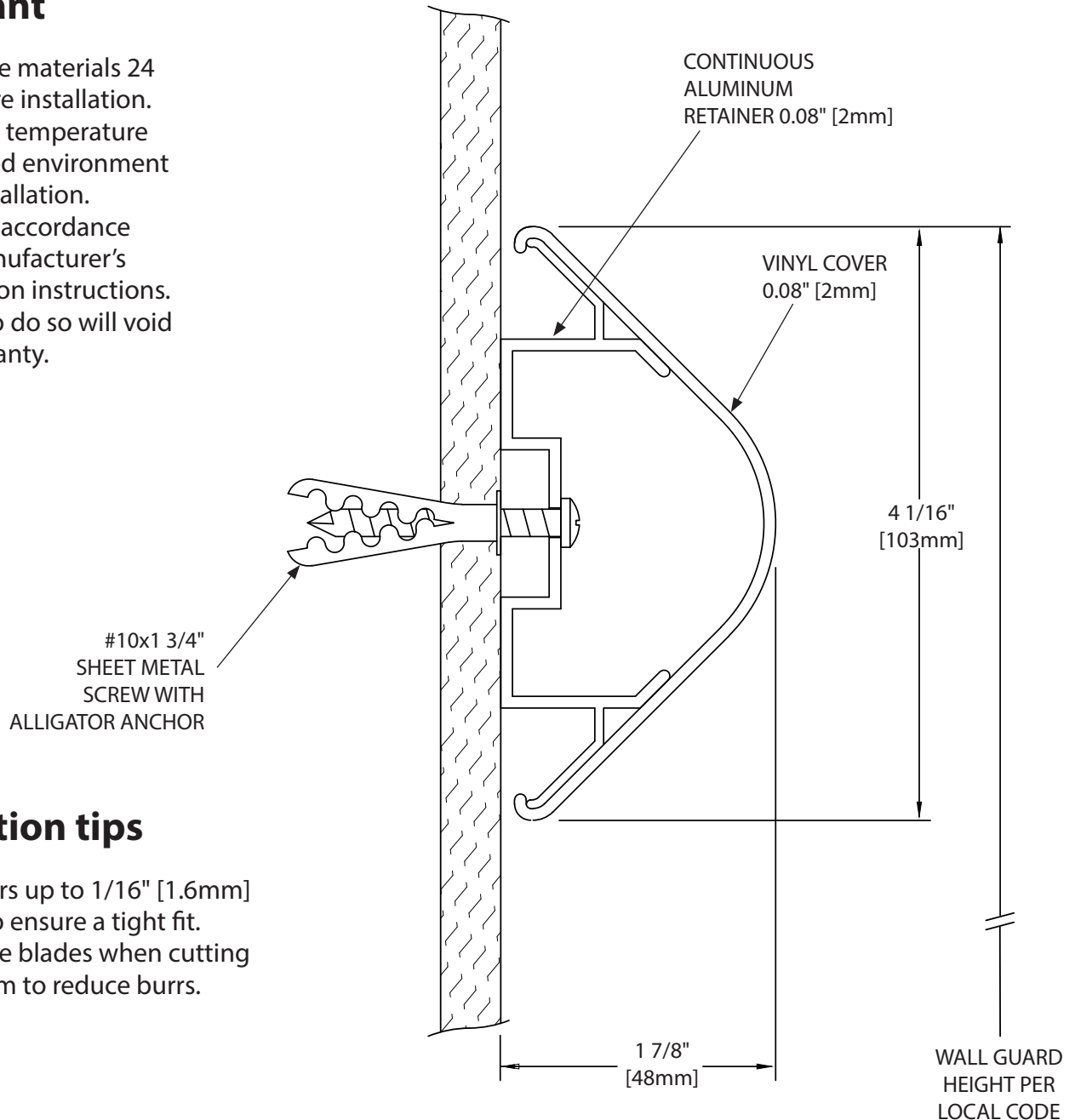
# Installation Instructions

1300/G2-1300 Wall Guard

Please read all instructions before installing  
Wall Guard.

## Important

1. Acclimate materials 24 hrs before installation. Maintain temperature controlled environment after installation.
2. Install in accordance with manufacturer's installation instructions. Failure to do so will void the warranty.



## Installation tips

1. Cut covers up to 1/16" [1.6mm] longer to ensure a tight fit.
2. Lubricate blades when cutting aluminum to reduce burrs.

### SECTION VIEW

#### RECOMMENDED TOOLS

Safety Glasses, Tape Measure, Power Drill, Drill Bits - 1/4" masonry (concrete/concrete block), Power Miter Saw, 10" Blade with 60-80 Carbide Tipped Teeth

IPC.343/REV.7

Installation Hotline . 866.EZINPRO

Inprocorp.com . 800.222.5556 . 262.679.9010

World Headquarters S80 W18766 Apollo Drive, Muskego, WI 53150 USA

IPC® •

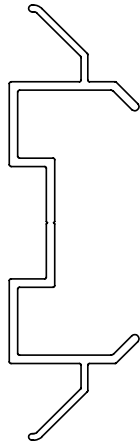
DOOR + WALL PROTECTION SYSTEMS  
A DIVISION OF INPRO®

# Installation Instructions

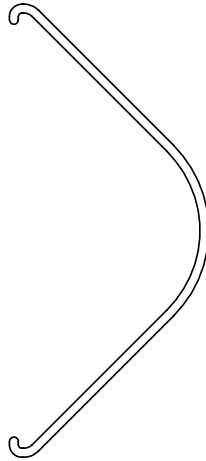
## 1300/G2-1300 Wall Guard

### Components and Fasteners

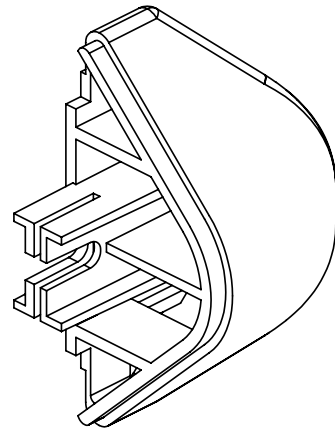
Please read all instructions before installing Wall Guard.



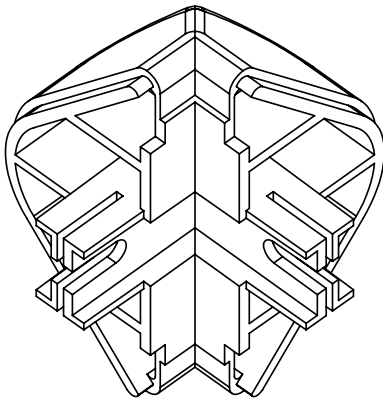
1300A  
CONTINUOUS ALUMINUM



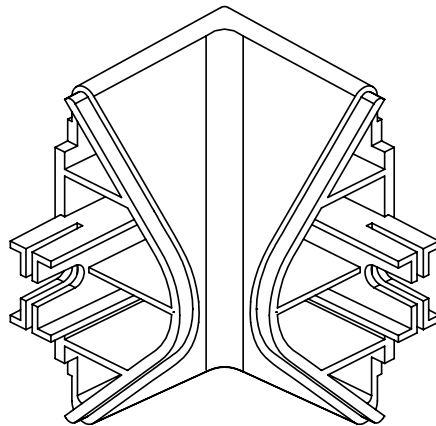
1300V  
VINYL COVER



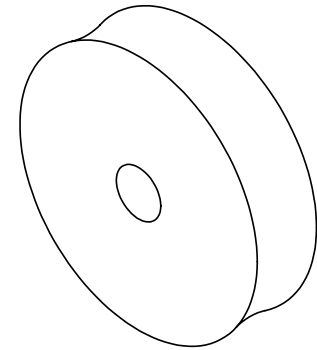
1302  
END CAP



1303  
OUTSIDE CORNER, 90°



1307  
INSIDE CORNER, 90°



501  
RUBBER SPACER  
1/2" THICK  
(OPTIONAL)

Wall Condition	Specified Fasteners	Inpro part #
Gypsum Wall	#10 1 3/4" Phillips pan head sheet metal screw with alligator anchor	HWK-WG/CR
Returns hardware kit	1/4" x 20 Serrated Flange hex bolt with Serrated Flange hex nut	HWK-HRR
Corners hardware kit	1/4" x 20 Serrated Flange hex bolt with Serrated Flange hex nut	HWK-HRC

Installation Hotline . 866.EZINPRO

Inprocorp.com . 800.222.5556 . 262.679.9010

World Headquarters S80 W18766 Apollo Drive, Muskego, WI 53150 USA

IPC® •

DOOR + WALL PROTECTION SYSTEMS

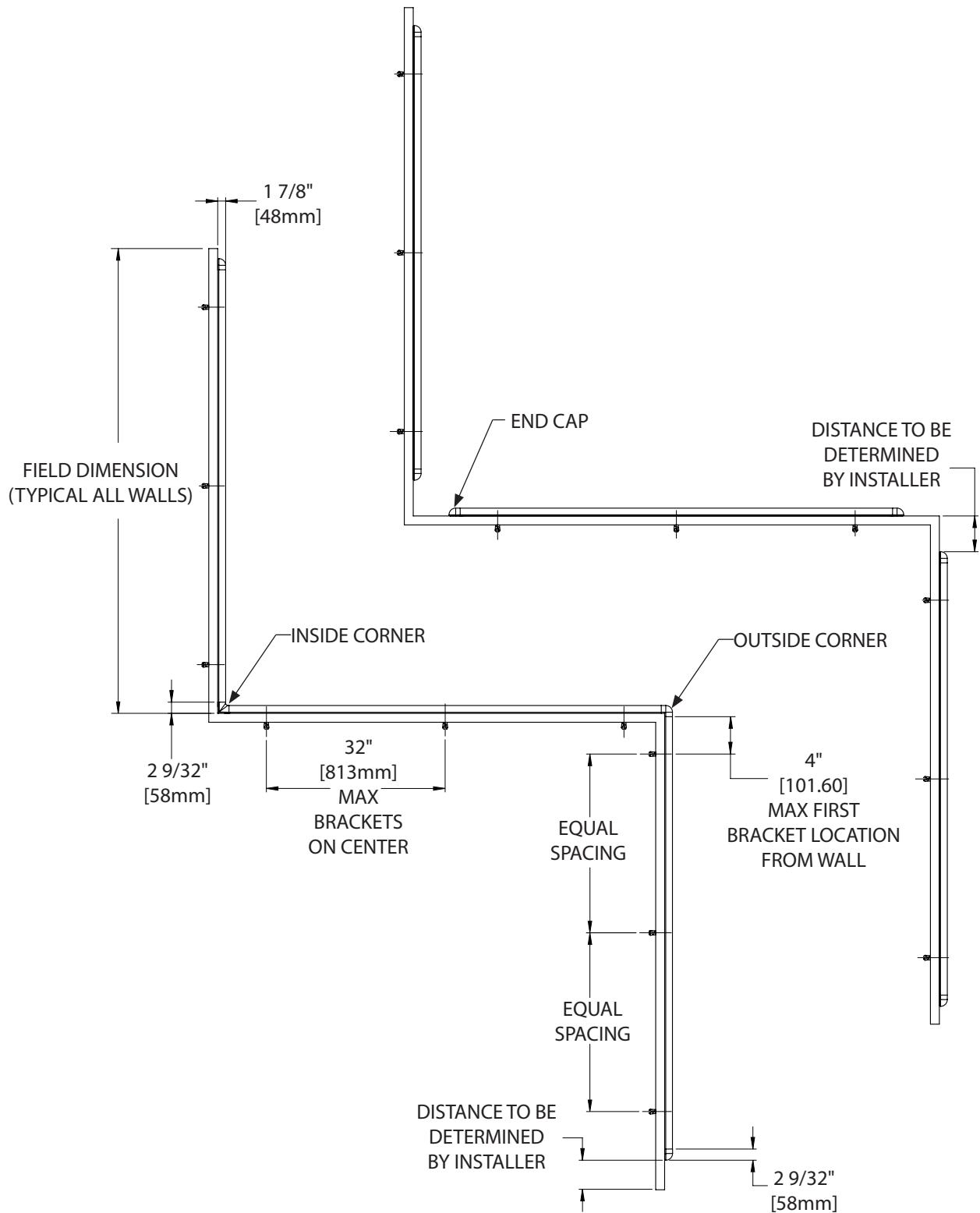
A DIVISION OF INPRO®

# Installation Instructions

## 1300/G2-1300 Wall Guard

Please read all instructions before installing Wall Guard.

### Layout View



Installation Hotline . 866.EZINPRO

Inprocorp.com . 800.222.5556 . 262.679.9010

World Headquarters S80 W18766 Apollo Drive, Muskego, WI 53150 USA

IPC®

DOOR + WALL PROTECTION SYSTEMS

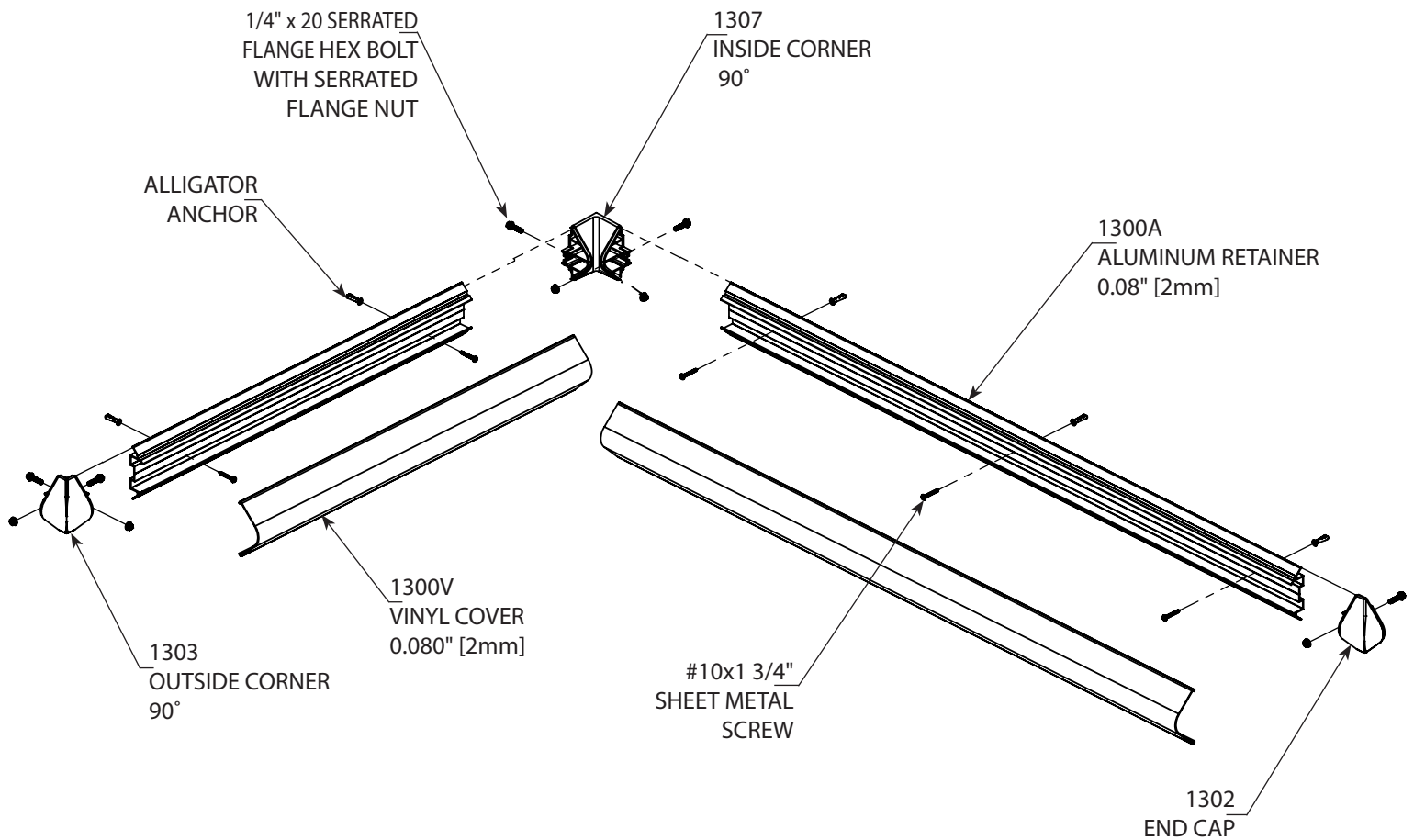
A DIVISION OF INPRO®

# Installation Instructions

## 1300/G2-1300 Wall Guard

### Exploded Assembly View

Please read all instructions before installing Wall Guard.



Installation Hotline . 866.EZINPRO

Inprocorp.com . 800.222.5556 . 262.679.9010

World Headquarters S80 W18766 Apollo Drive, Muskego, WI 53150 USA

IPC®

DOOR + WALL PROTECTION SYSTEMS

A DIVISION OF INPRO®

# Installation Instructions

## 1300/G2-1300 Wall Guard

Please read all instructions before installing Wall Guard.

FIG. 1

1. Cut aluminum retainer to desired length, leaving allowance for end caps, inside corners and outside corners. (See Figure 1.)

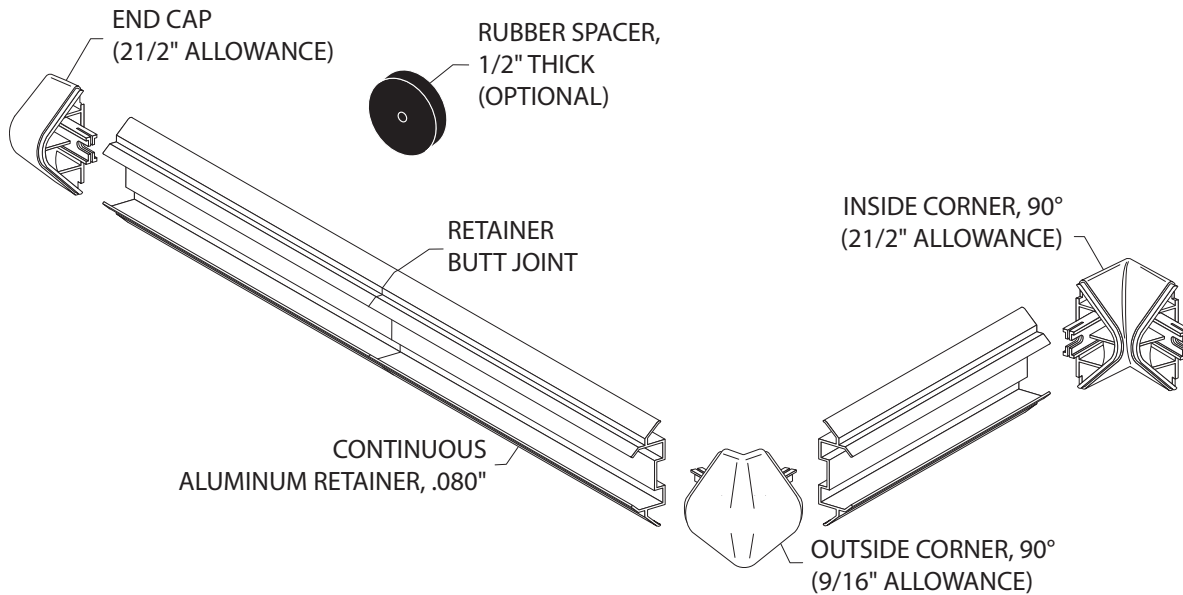
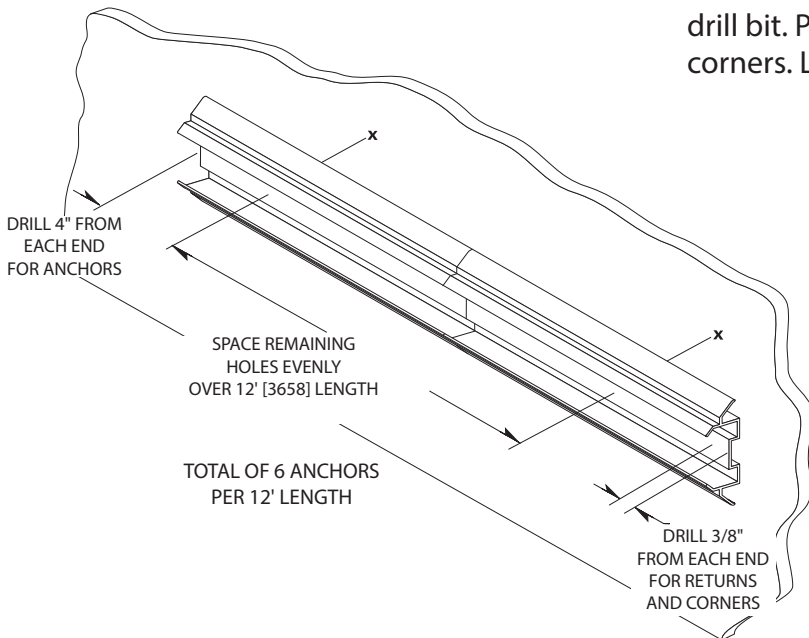


FIG. 2

2. Drill holes in centerline of retainer using 1/4" [6mm] drill bit. Position retainer on wall allowing for end caps/corners. Level and mark anchor holes. (See Figure 2.)



Installation Hotline . 866.EZINPRO

Inprocorp.com . 800.222.5556 . 262.679.9010

World Headquarters S80 W18766 Apollo Drive, Muskego, WI 53150 USA

IPC® •

DOOR + WALL PROTECTION SYSTEMS

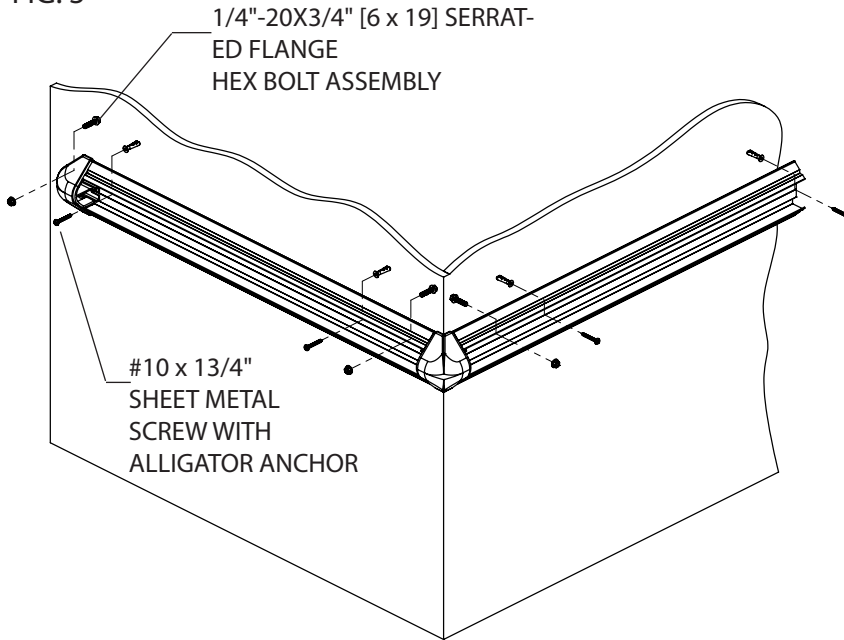
A DIVISION OF INPRO®

# Installation Instructions

## 1300/G2-1300 Wall Guard

Please read all instructions before installing Wall Guard.

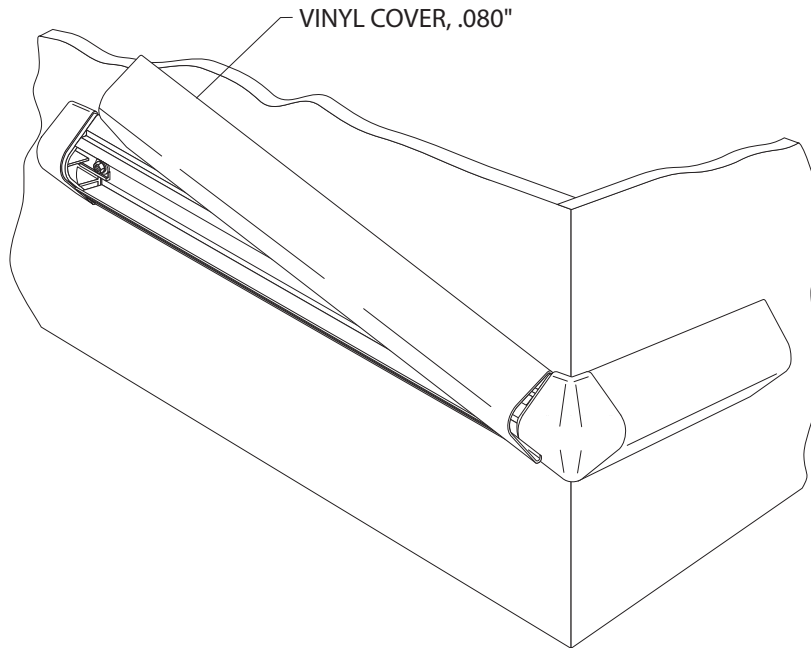
FIG. 3



3. Drill marked holes on wall using a 1/4" [6mm] drill bit and position Alligator anchors into holes. Slide end caps and corners onto the retainer and secure, leaving a 1/16" [1.5] gap between end caps/corners and retainer to allow for adjustment. Mount assembled retainer on wall and tighten screws to secure. (See Figure 3.)

NOTE: If rubber spacers are used, attach them behind the retainer at all mounting hole locations including those for end caps and corners.

FIG. 4



4. Cut the cover to length between returns and/or corners. NOTE: Trim factory edges square before installation. Position cover on retainer and adjust returns and/or corners for a tight fit. Starting at one end, push cover onto retainer until it snaps into place. (See Figure 4.)

Installation Hotline . 866.EZINPRO

Inprocorp.com . 800.222.5556 . 262.679.9010

World Headquarters S80 W18766 Apollo Drive, Muskego, WI 53150 USA

IPC® •

DOOR + WALL PROTECTION SYSTEMS

A DIVISION OF INPRO®