

VP6 Rolling Economical Partition Assembly Instructions

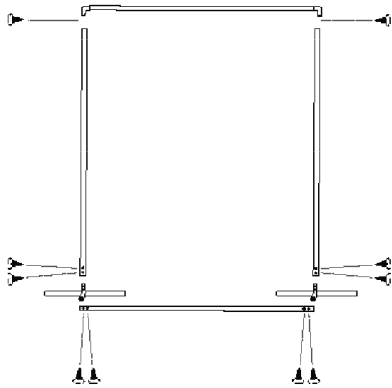


Hardware included:



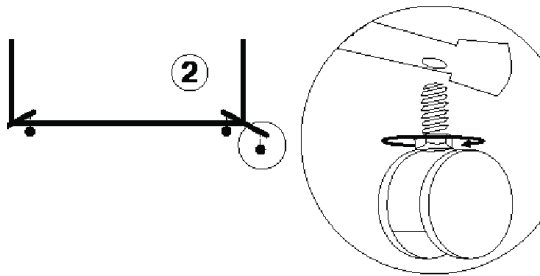
Screws

1.



Layout poles in correct shape and screw in bolts to connect the poles together with the screws provided.

2.



Screw in wheels to the bottom of frame.



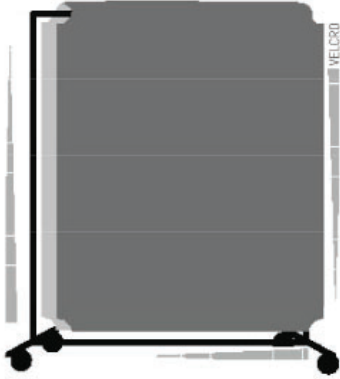
**Koffler Sales
Company**

Specialists in Floor and Wall Protection
For Over 50 Years

785 Oakwood Road
Suite C-100
Lake Zurich, IL 60047-1524

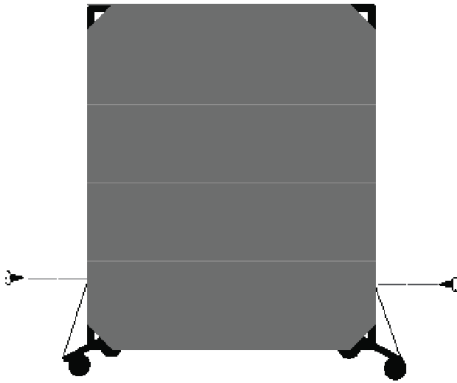
www.KofflerSales.com

1.



Add the canvas exterior using velcro attachments around poles.

2.



Screw in the wheels to the bottom of the panel.

Assembly complete!
We hope you enjoy your new VP6!



**Koffler Sales
Company**

Specialists in Floor and Wall Protection
For Over 50 Years

785 Oakwood Road
Suite C-100
Lake Zurich, IL 60047-1524

www.KofflerSales.com