

Installation Instructions

Curved Shower Rod



FIG. 1



FIG. 2

For standard tubs - mount the rod 3" inside from the point where a straight rod is normally mounted.

For oval tubs - mount the rod between 6" and 8" from the centerline of the tub. The middle portion of the rod should be just outside the contour of the tub. (see fig. 3)

1. Assemble the wall plate and swivel connector. Hand tighten the retaining screws and set screws.
2. Hold the rod to the desired position. Level the rod. Trace the top and bottom of the wall plate.
3. Remove the retaining screws and separate the wall plates from the rod. Leave the swivel connectors on the rod.
4. Using the wall plate as a template, hold the plate to the wall where it was traced and transfer the mounting hole locations to the wall.
5. Drill a 1/4" hole at each hole location if using a plug anchor. If using a decorator anchor, make sure a stud is not located beneath the mark. If not, drive the anchor into the wall until flush.
6. Mount the wall plates to the wall by securing fasteners into the anchors.
7. Place the rod with the swivel connectors into the wall plates. Set screws should face up. Insert and tighten the retaining screws.
8. Adjust the rod so the rod ends will make contact with the set screws.
9. Tighten set screws.

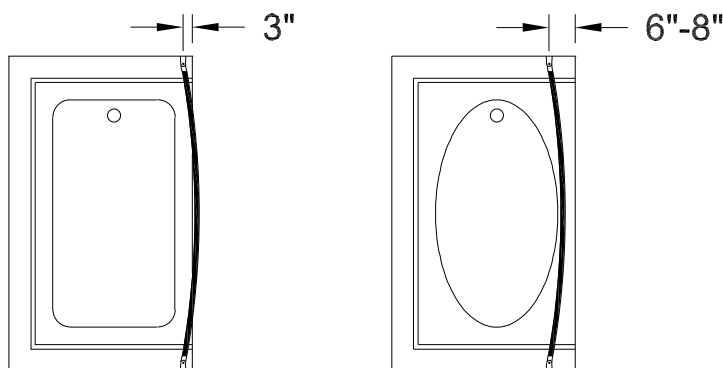


FIG. 3

IPC.511/Rev.1

Installation Questions?

Contact our Installation Hotline 866.EZINPRO
For Sales & Customer Service call 800.222.5556

INPRO CORPORATION
Interior and Exterior Architectural Products