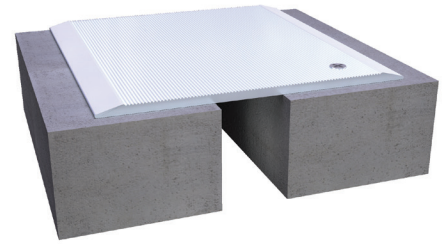


808 Series

A01 - Floor to Floor

A02 - Floor to Wall



Movement Rating $\pm 50\%$

Product Guide



Thermal



Exterior



Interior



Fire Rated Option



Vapor



ADA Compliant

- ▶ Beveled edges and serrated plates provide traction for pedestrian safety
- ▶ Pre-drilled counter-sunk holes for easy installation
- ▶ Moderate loading capabilities
- ▶ Mill Finish

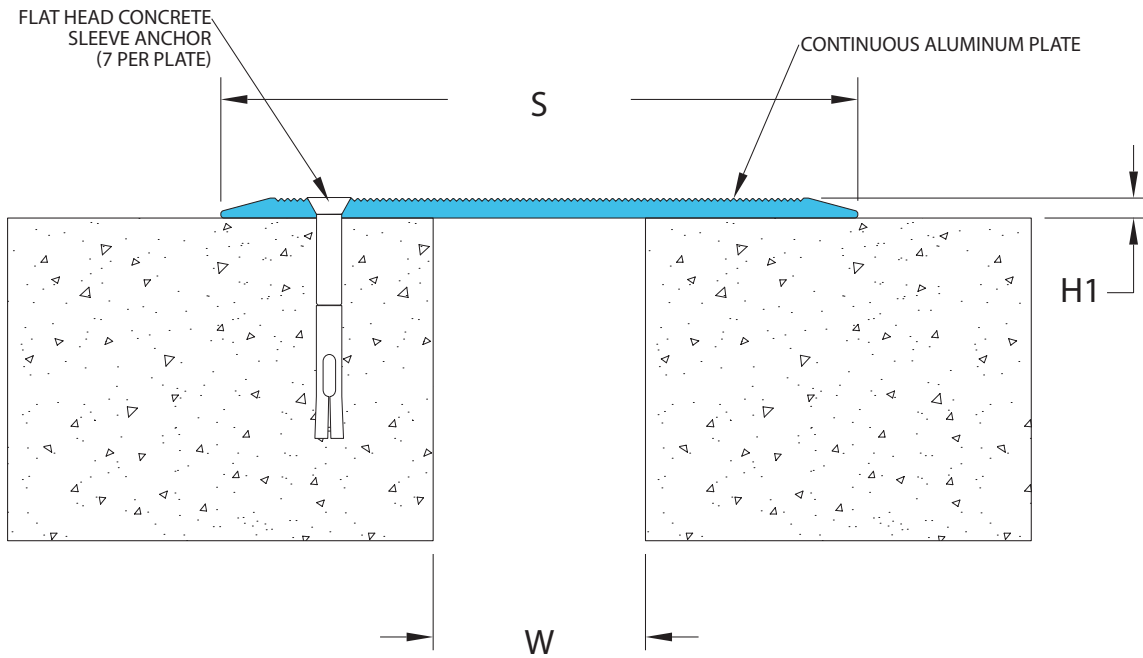
Application	System	W		H1		H2		S		B		Movement +/-			
		Joint Width		Frame Height 1		Height 2		Sightline		Blockout		Horizontal		Vertical	
		US	mm	US	mm	US	mm	US	mm	US	mm	US	mm	US	mm
Floor to Floor	808-A01-025	1"	25	3/16"	5	*	*	6"	152	*	*	1/2"	13	1/2"	13
	808-A01-050	2"	51	3/16"	5	*	*	6"	152	*	*	1"	25	1"	25
	808-A01-075	3"	76	1/4"	6	*	*	10"	254	*	*	1 1/2"	38	1 1/2"	38
	808-A01-100	4"	102	1/4"	6	*	*	10"	254	*	*	2"	51	2"	51
Floor to Wall	808-A02-025	1"	25	3/16"	5	2"	51	3 1/2"	89	*	*	1/2"	13	*	*
	808-A02-050	2"	51	3/16"	5	2"	51	3 1/2"	89	*	*	1"	25	*	*
	808-A02-075	3"	76	1/4"	6	2"	51	7"	178	*	*	1 1/2"	38	*	*
	808-A02-100	4"	102	1/4"	6	2"	51	7"	178	*	*	2"	51	*	*

IPC.832/REV.8

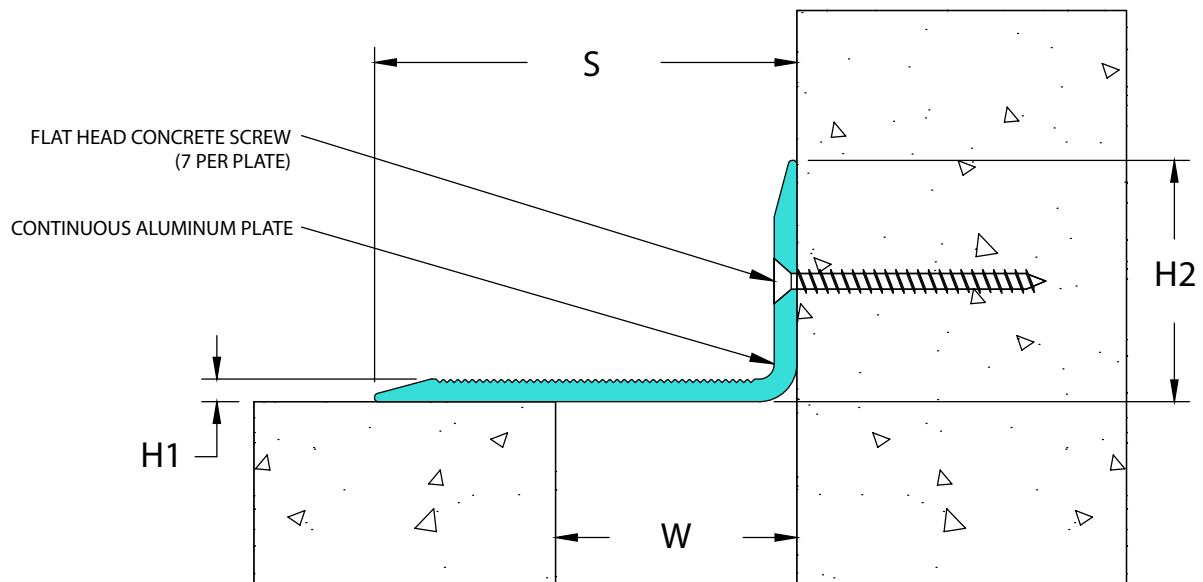
808 Series

Standard Cover Plate System

A01 Floor/Floor
(2" (50mm) system shown)



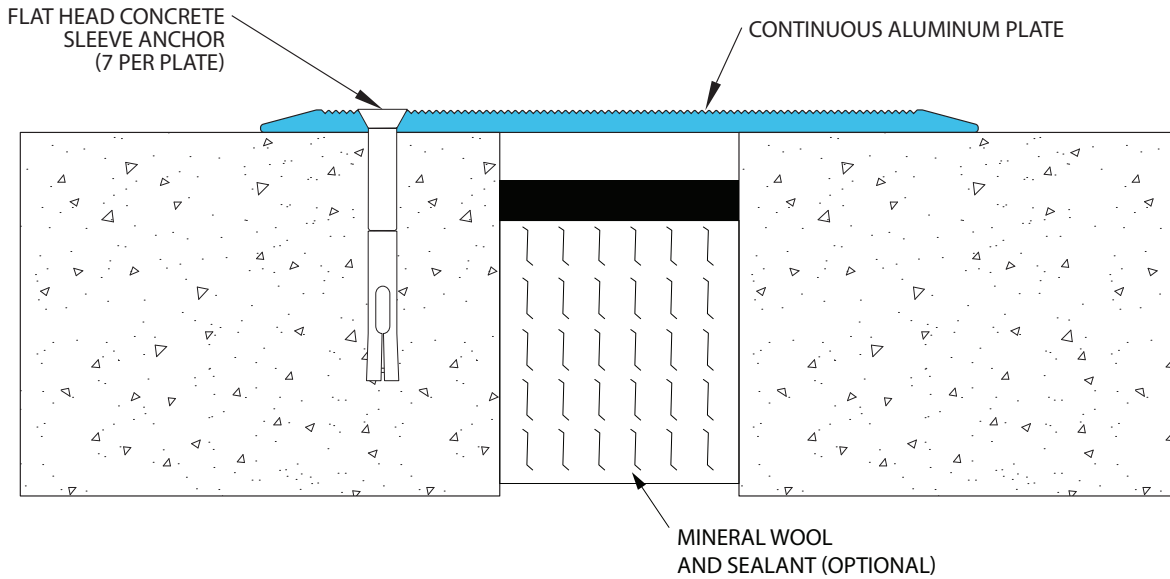
A02 Floor/Wall
(2" (50mm) system shown)



808 Series

Options

808-A01 with Mineral Wool & Sealant Fire Barrier System
(2" (50mm) system shown)



808-A01 with Fire Barrier System
(2" (50mm) system shown)

