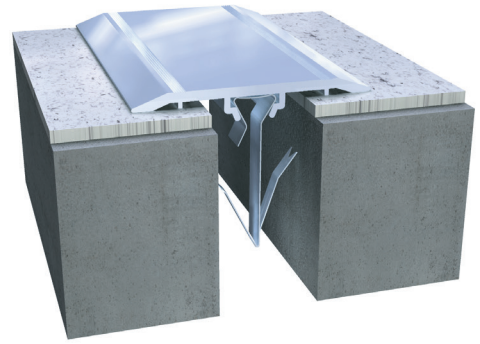


804 Series

A01 - Floor to Floor

A02 - Floor to Wall



Movement Rating $\pm 25\%$

Product Guide



Thermal



Exterior



Interior



Fire Rated Option



Vapor



ADA Compliant

- 4 Designed for interior floors
- 4 Spring clip design for easy on-site installation
- 4 Attractive and economical solutions for retrofit and surface mount applications
- 4 Mill Finish aluminum
- 4 Seamlessly integrates with coordinating 804 wall and ceiling system

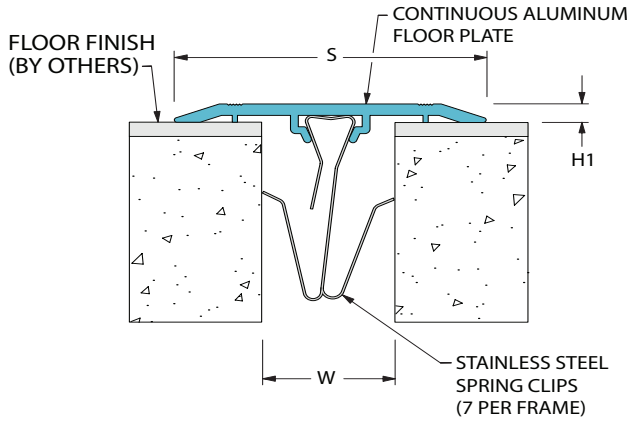
Application	System	W		H1		H2		S		B		Movement +/-			
		Joint Width		Frame Height 1		Height 2		Sightline		Blockout		Horizontal		Vertical	
		US	mm	US	mm	US	mm	US	mm	US	mm	US	mm	US	mm
Floor/Floor	804-A01-025	1"	25	1/8"	4	*	*	3"	76	*	*	1/2"	13	1/8"	3
	804-A01-038	1 1/2"	38	1/8"	4	*	*	3"	76	*	*	3/4"	19	1/8"	3
	804-A01-050	2"	51	1/8"	4	*	*	4 1/2"	114	*	*	1"	25	1/8"	3
Floor/Wall	804-A02-025	1"	25	1/8"	4	*	*	2"	50	*	*	1/4"	6	1/8"	3
	804-A02-038	1 1/2"	38	1/8"	4	*	*	2"	50	*	*	3/8"	10	1/8"	3
	804-A02-050	2"	51	1/8"	4	*	*	3 1/2"	89	*	*	1/2"	13	1/8"	3

IPC.798/REV.8

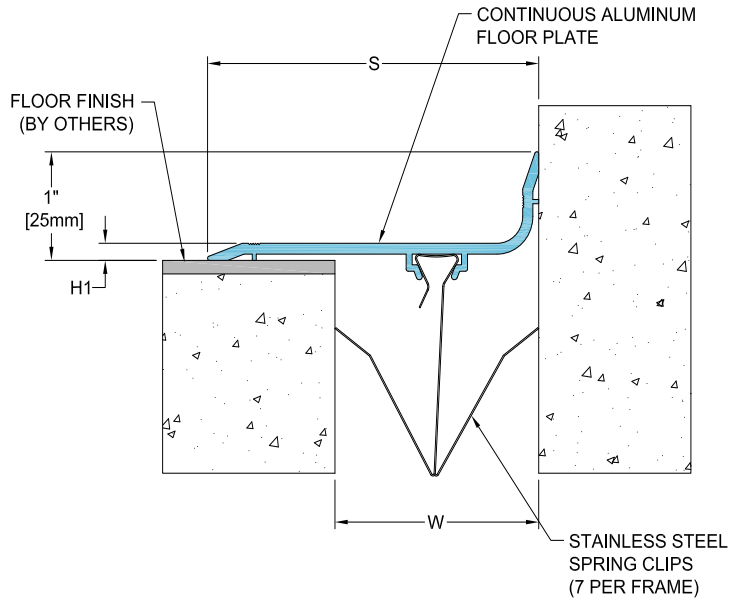
804 Series

Floor and Wall Systems

804-A01 Floor/Floor
(1" (25mm) system shown)



804-A02 Floor/Wall
(2" (50mm) system shown)



804 Series

Options

804-A01 with Mineral Wool & Silicone System
(1" (25mm) system shown)

