

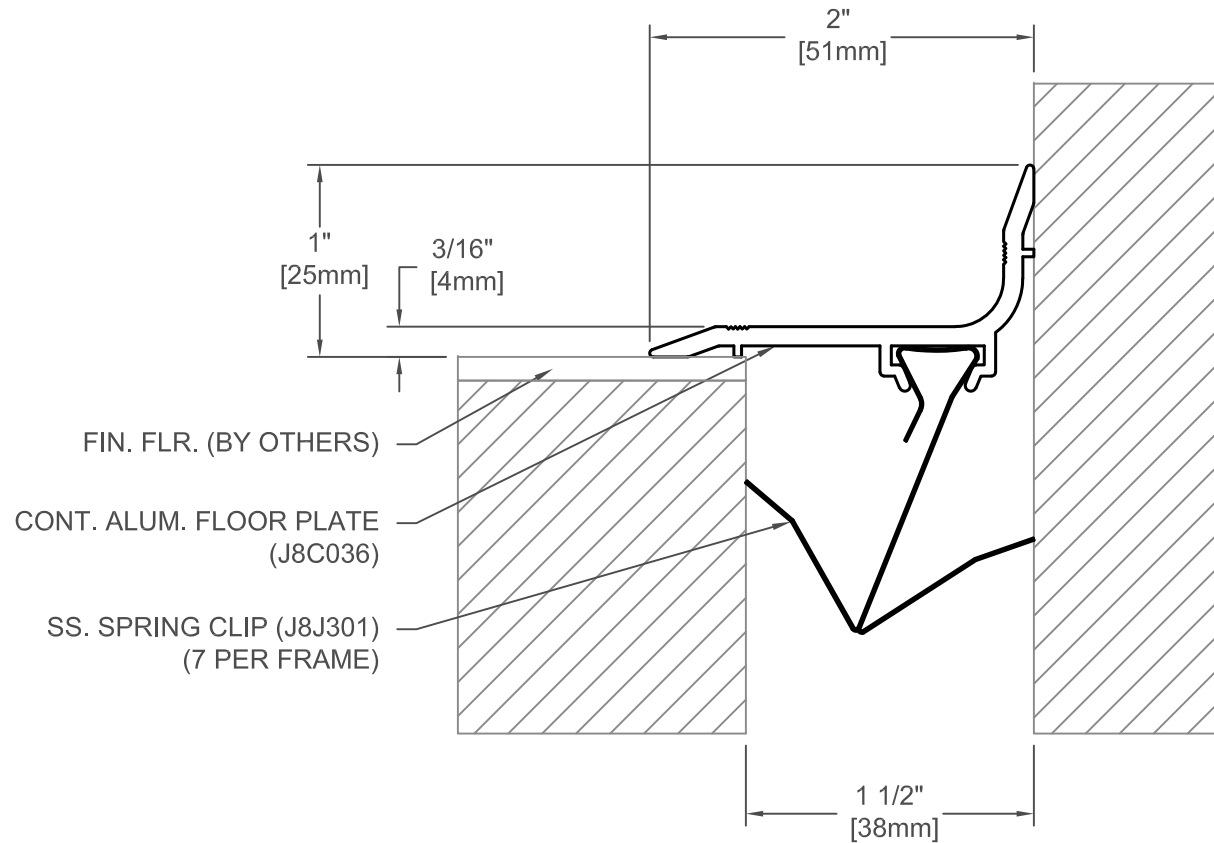
804-A02-025

JOINT WIDTH		MOVEMENT ±			
		HORIZONTAL		VERTICAL	
US	mm	US	mm	US	mm
1"	25	1/2"	13	1/8"	3

FINISH: MILL
PROJECT:
CUSTOMER:
LOCATION:

APPLICATION-
FLOOR/WALL COVER PLATE CONDITION

DATE:	9-30-05
SCALE:	1:1
DOC:	CADJM.048R2



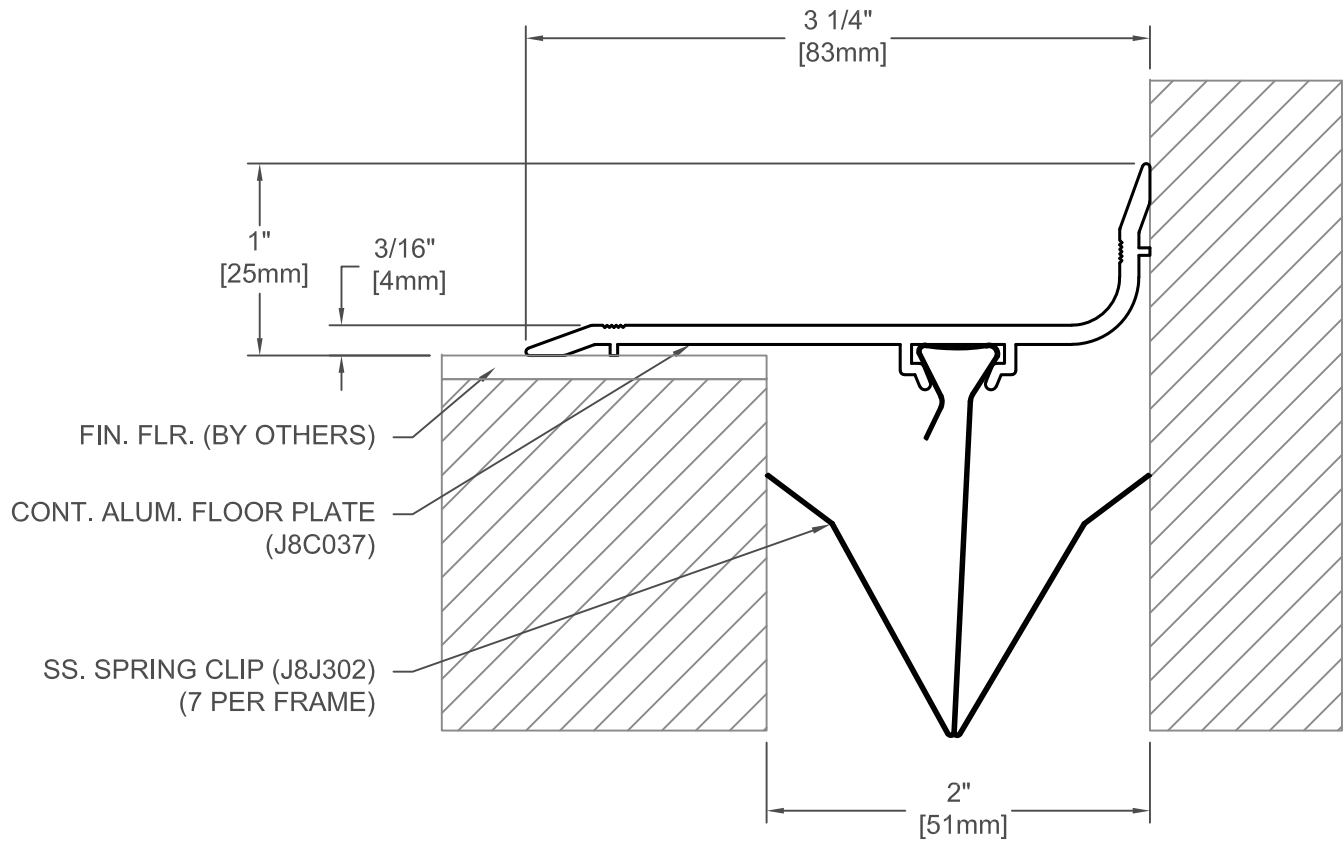
804-A02-038

JOINT WIDTH		MOVEMENT ±			
		HORIZONTAL		VERTICAL	
US	mm	US	mm	US	mm
1 1/2"	38	3/8"	13	1/8"	3

FINISH: MILL
PROJECT:
CUSTOMER:
LOCATION:

APPLICATION-
FLOOR/WALL COVER PLATE CONDITION

DATE:	9-30-05
SCALE:	1:1
DOC:	CADJM.048R2



804-A02-050

JOINT WIDTH		MOVEMENT ±			
		HORIZONTAL		VERTICAL	
US	mm	US	mm	US	mm
2"	51	1/2"	13	1/8"	3

FINISH: MILL
PROJECT:
CUSTOMER:
LOCATION:

APPLICATION-
FLOOR/WALL COVER PLATE CONDITION

DATE:	9-30-05
SCALE:	1:1
DOC:	CADJM.048R2