

801-A01-025

JOINT WIDTH		MOVEMENT ±			
		HORIZONTAL		VERTICAL	
US	mm	US	mm	US	mm
1"	25	1/2"	13	--	--

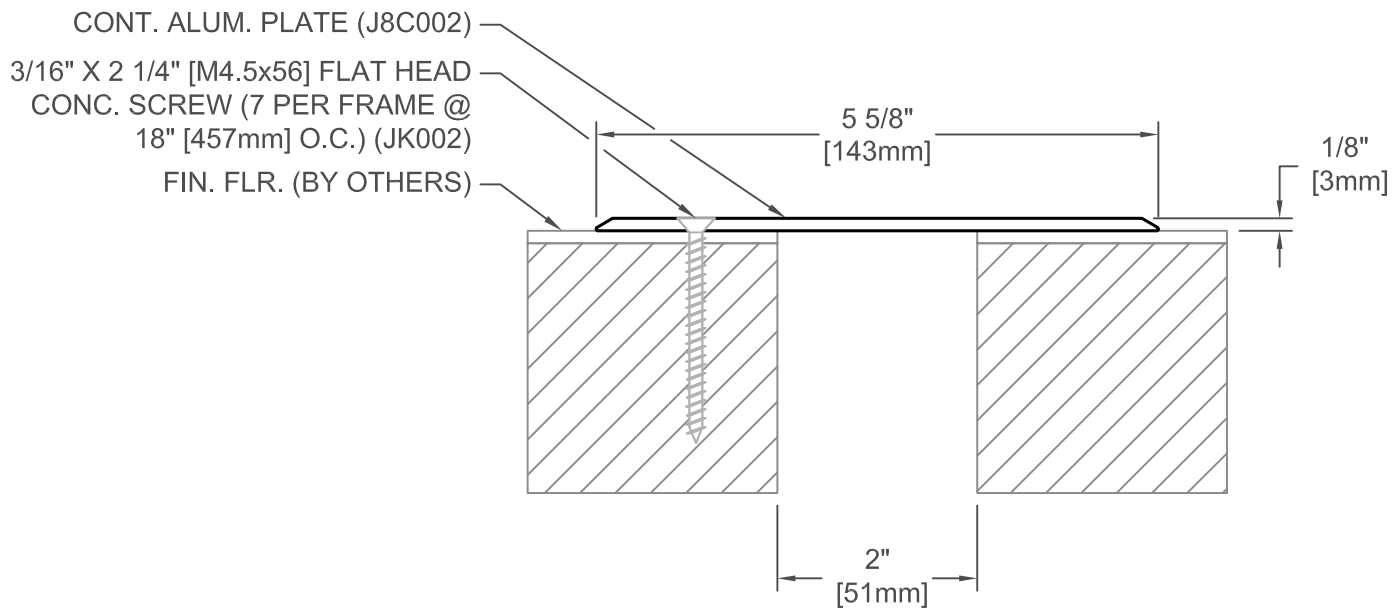
FINISH: MILL
PROJECT:
CUSTOMER:
LOCATION:

APPLICATION-
FLOOR/FLOOR CONDITION
STANDARD COVER PLATE

DATE:	7-16-03
SCALE:	1:2
DOC:	CADJM.045/R3



For More Information Visit: Inprocorp.com



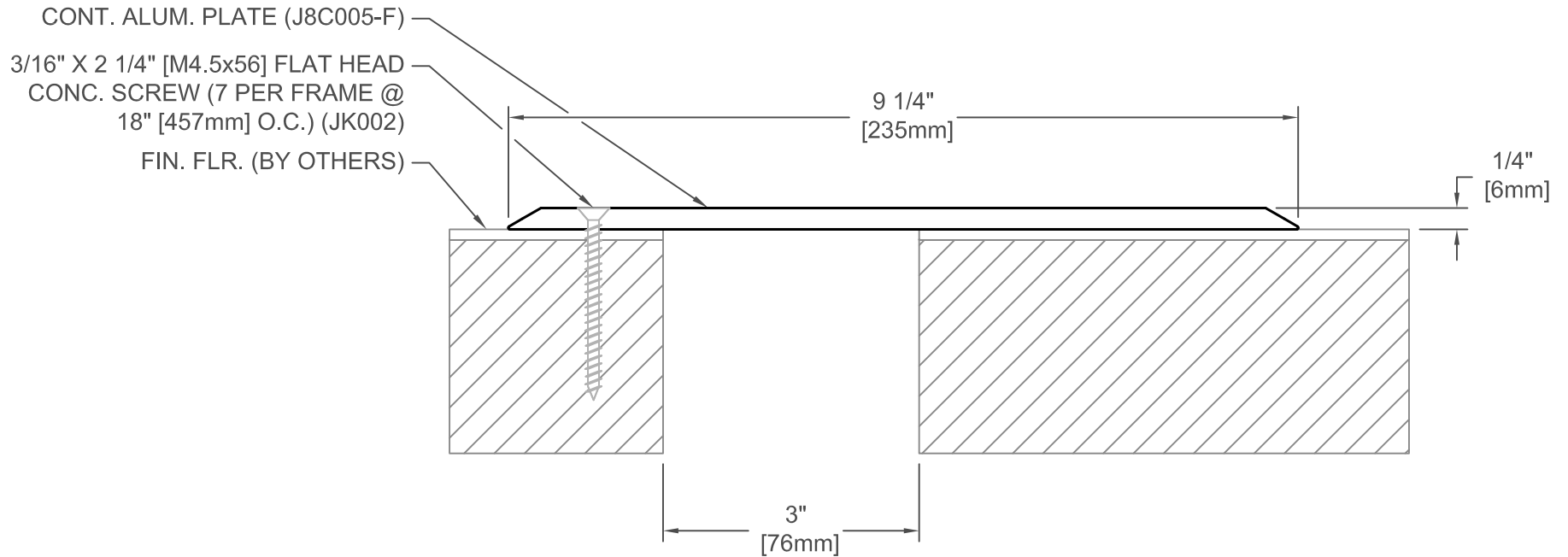
801-A01-050

JOINT WIDTH		MOVEMENT ±			
		HORIZONTAL		VERTICAL	
US	mm	US	mm	US	mm
2"	51	1"	25	--	--

FINISH: MILL
PROJECT:
CUSTOMER:
LOCATION:

APPLICATION-
FLOOR/FLOOR CONDITION
STANDARD COVER PLATE

DATE:	7-16-03
SCALE:	1:2
DOC:	CADJM.045/R3



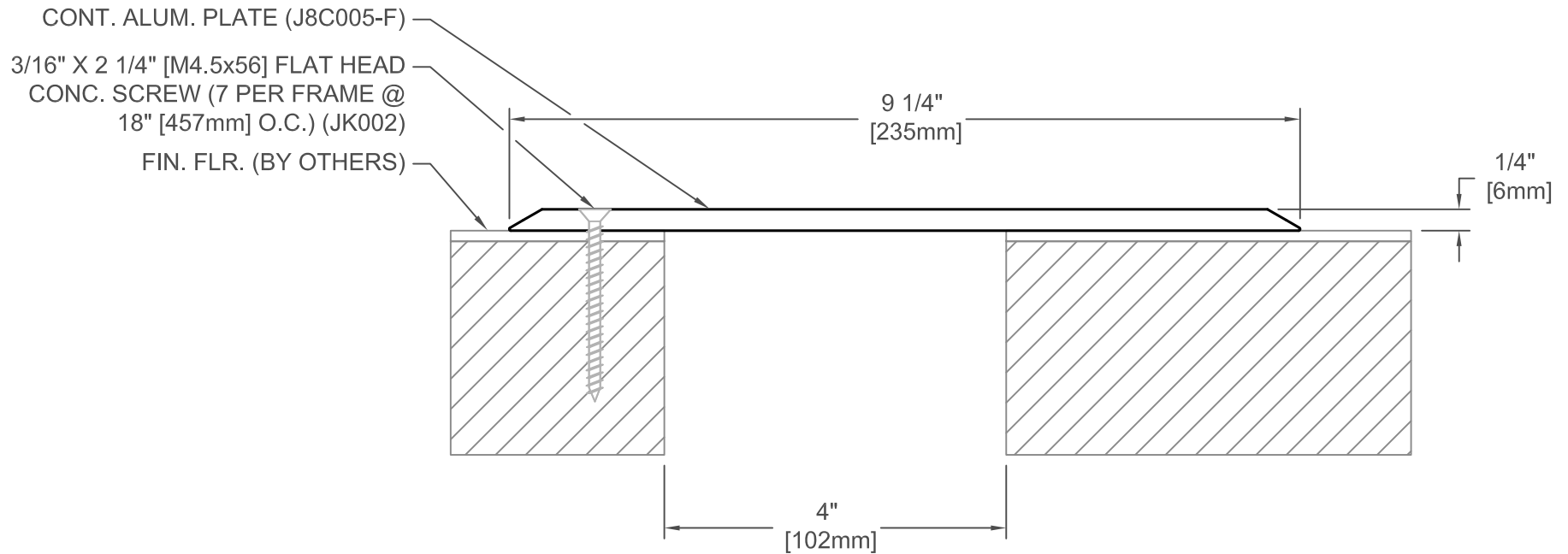
801-A01-075

JOINT WIDTH		MOVEMENT ±			
		HORIZONTAL		VERTICAL	
US	mm	US	mm	US	mm
3"	76	1 1/2"	38	--	--

FINISH: MILL
PROJECT:
CUSTOMER:
LOCATION:

APPLICATION-
FLOOR/FLOOR CONDITION
STANDARD COVER PLATE

DATE:	4-14-15
SCALE:	1:2
DOC:	CADJM.045/R3



801-A01-100

JOINT WIDTH		MOVEMENT ±			
		HORIZONTAL		VERTICAL	
US	mm	US	mm	US	mm
4"	102	2"	51	--	--

FINISH: MILL

PROJECT:

CUSTOMER:

LOCATION:

APPLICATION-
FLOOR/FLOOR CONDITION
STANDARD COVER PLATE

DATE: 4-14-15

SCALE: 1:2

DOC: CADJM.045/R3

inpro.
For More Information Visit: Inprocorp.com