

POST COVERS

**POST & BOLLARD COVERS
KEEP YOUR POSTS
LOOKING NEW**



Thick-wall polymer construction means
post covers won't crack or dent

THE MCCUE DIFFERENCE

HI, WE'RE MCCUE & WE MAKE SAFETY EASY!

Cover up those unsightly posts and concrete bollards and eliminate constant repainting. McCue Post Covers are constructed of impact-resistant HDPE. They're designed to cover your posts, while maintaining all the protection of pipe and concrete bollards.



MAINTENANCE FREE

Eliminate the need for scraping, painting and repainting.



INSTALLS QUICKLY

No special tools required, just slip over existing steel or concrete bollards.



VARIETY OF COLORS

Post covers come in standard yellow, but may be custom color matched.

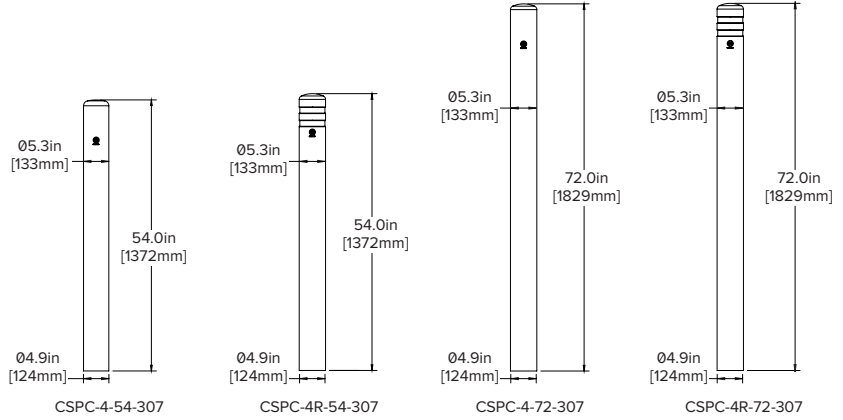
**A BETTER, SAFER SHOPPING EXPERIENCE BEGINS AND ENDS IN THE PARKING LOT —
SPEAK TO A POST COVER SPECIALIST TODAY (800) 800-8503**

POST COVERS

4" POST COVERS

For posts with 4.5" outer diameter

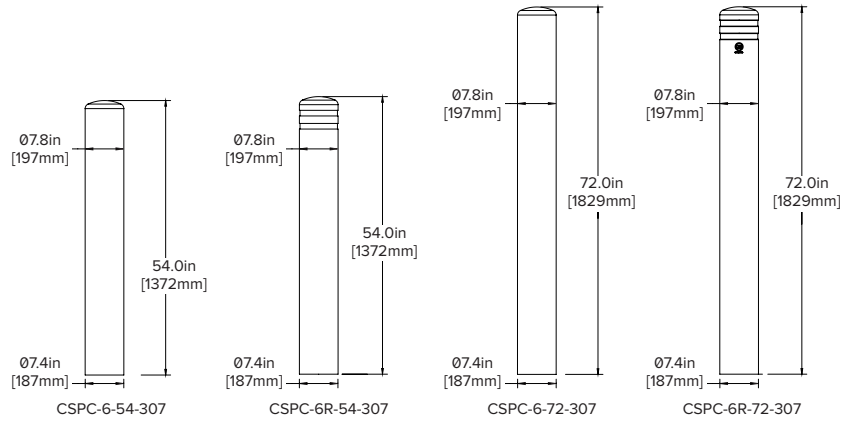
- 54" TALL PART #: CSPC-4-54-307
- 54" TALL REFLECTIVE PART #: CSPC-4R-54-307
- 72" TALL PART #: CSPC-4-72-307
- 72" TALL REFLECTIVE PART #: CSPC-4R-72-307



6" POST COVERS

For posts with 6.625" outer diameter

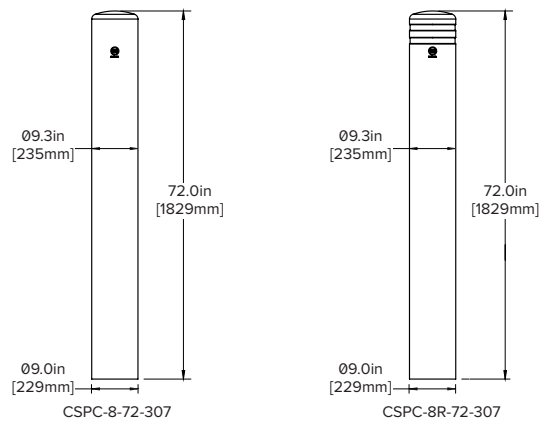
- 54" TALL PART #: CSPC-6-54-307
- 54" TALL REFLECTIVE PART #: CSPC-6R-54-307
- 72" TALL PART #: CSPC-6-72-307
- 72" TALL REFLECTIVE PART #: CSPC-6R-72-307



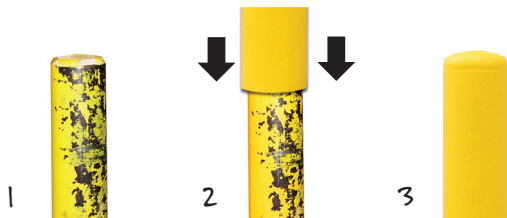
8" POST COVERS

For posts with 8.625" outer diameter

- 72" TALL PART #: CSPC-8-72-307
- 72" TALL REFLECTIVE PART #: CSPC-8R-72-307



EASY INSTALLATION



STANDARD COLORS

3 week lead.



CUSTOM COLOR MATCHING

Pre-matched colors ship within 3 weeks. Otherwise allow 6-8 weeks for delivery. Minimums may apply.