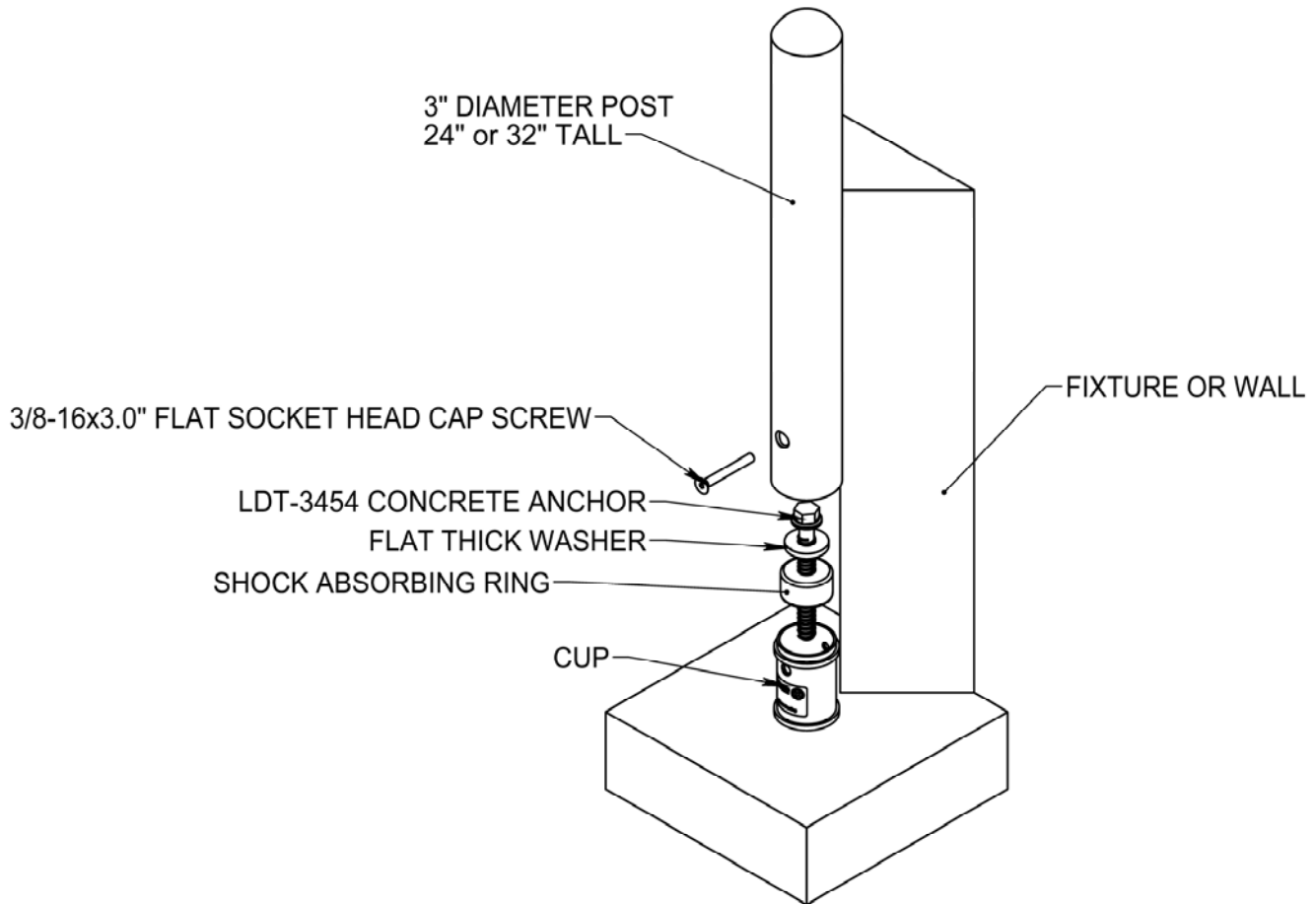


CartStop FlexPost Installation Instructions

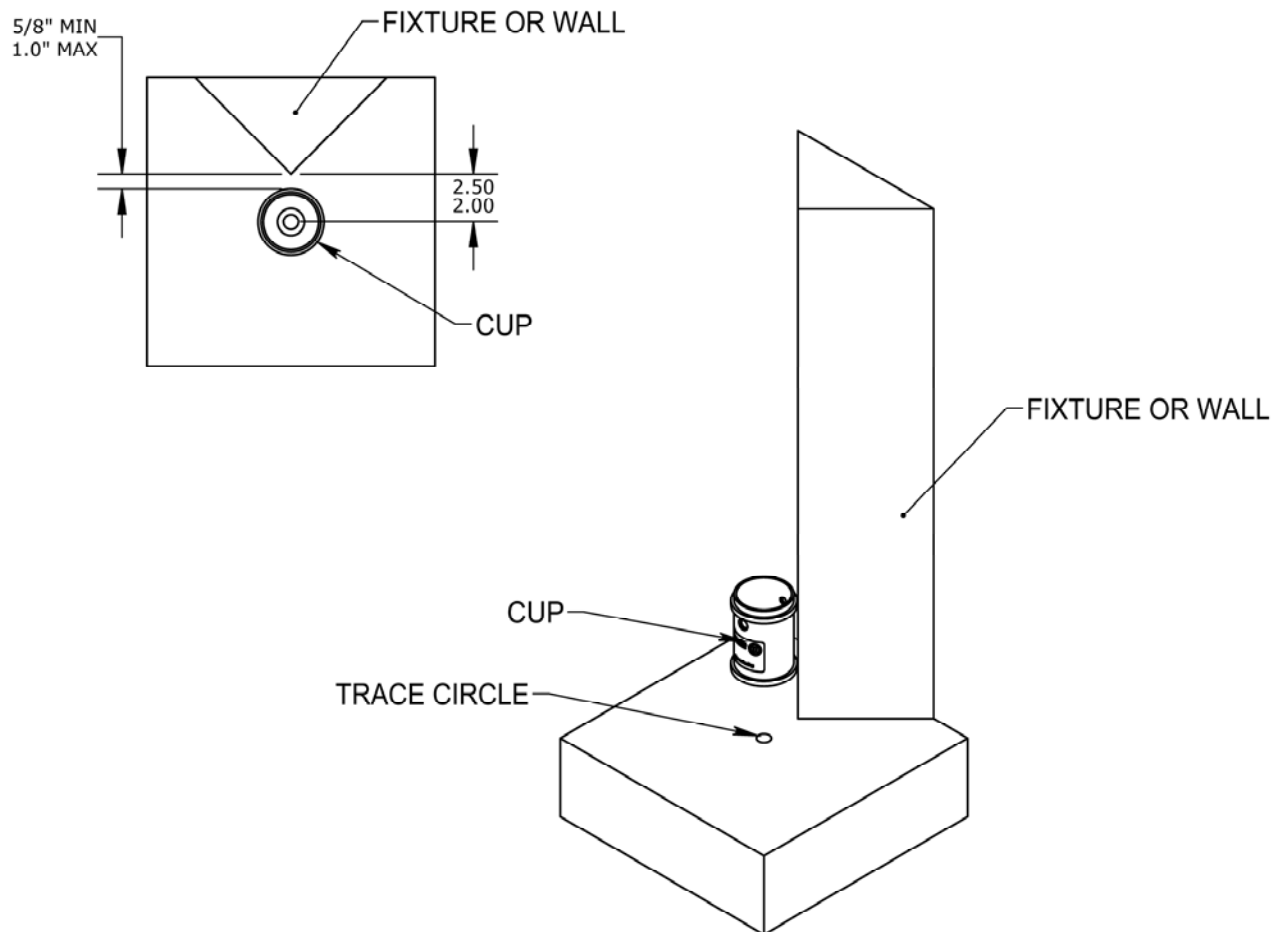


Tools Required:

- Hammer drill with 5/8" diameter carbide bit
- Tape measure
- Pencil or marker
- Impact driver with 15/16" socket head
- 7/32" hex L-key
- LDT-3454 anchor (included)
- 3/8-16x3.0" flat socket head cap screw included
- Broom to dust pan

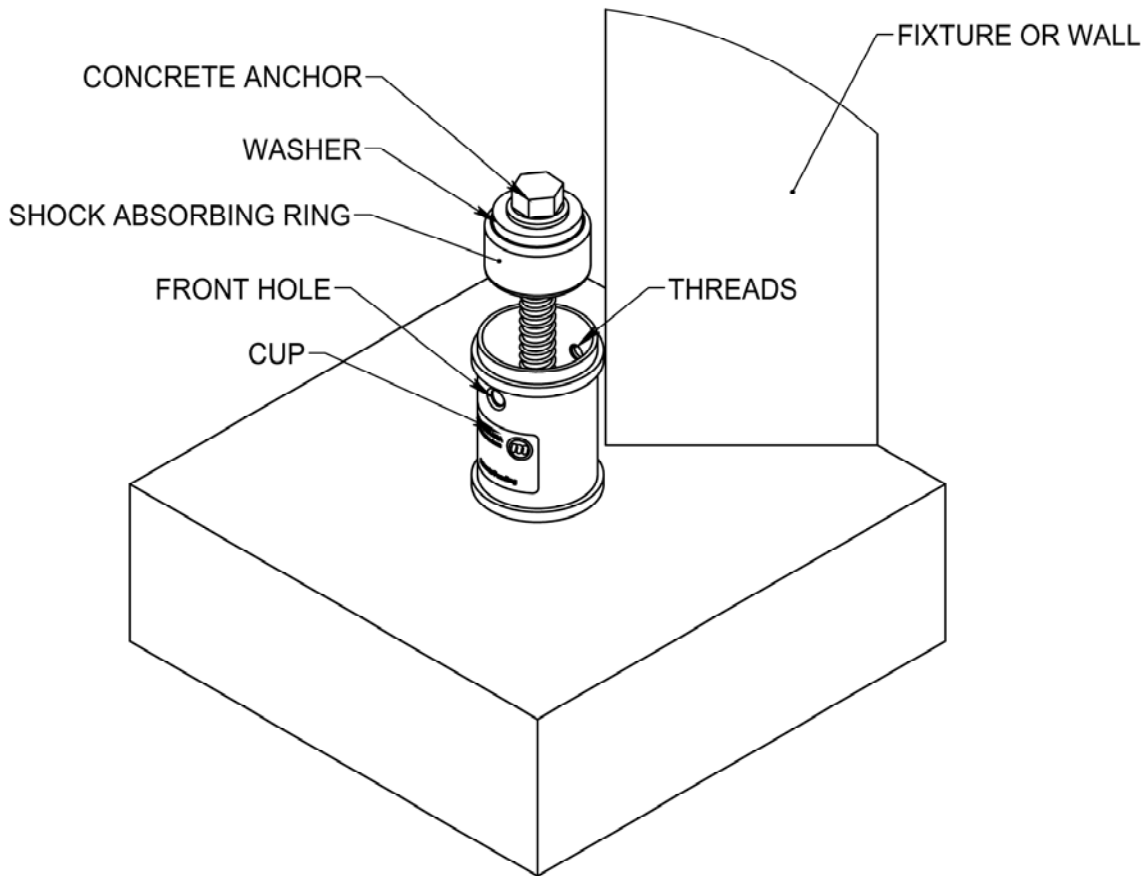
Step 1: Layout

- Set the cup in front of the fixture or corner to be protected. Leave no more than 1" maximum to 5/8" minimum gap between the back of the cup and the front of the fixture or corner.
- Trace a circle around the inside of the cup onto floor.
- Using a hammer drill, drill a hole that is 5/8" diameter and a minimum of 3-1/2" deep.
- Remove any dust and debris from and around the hole.



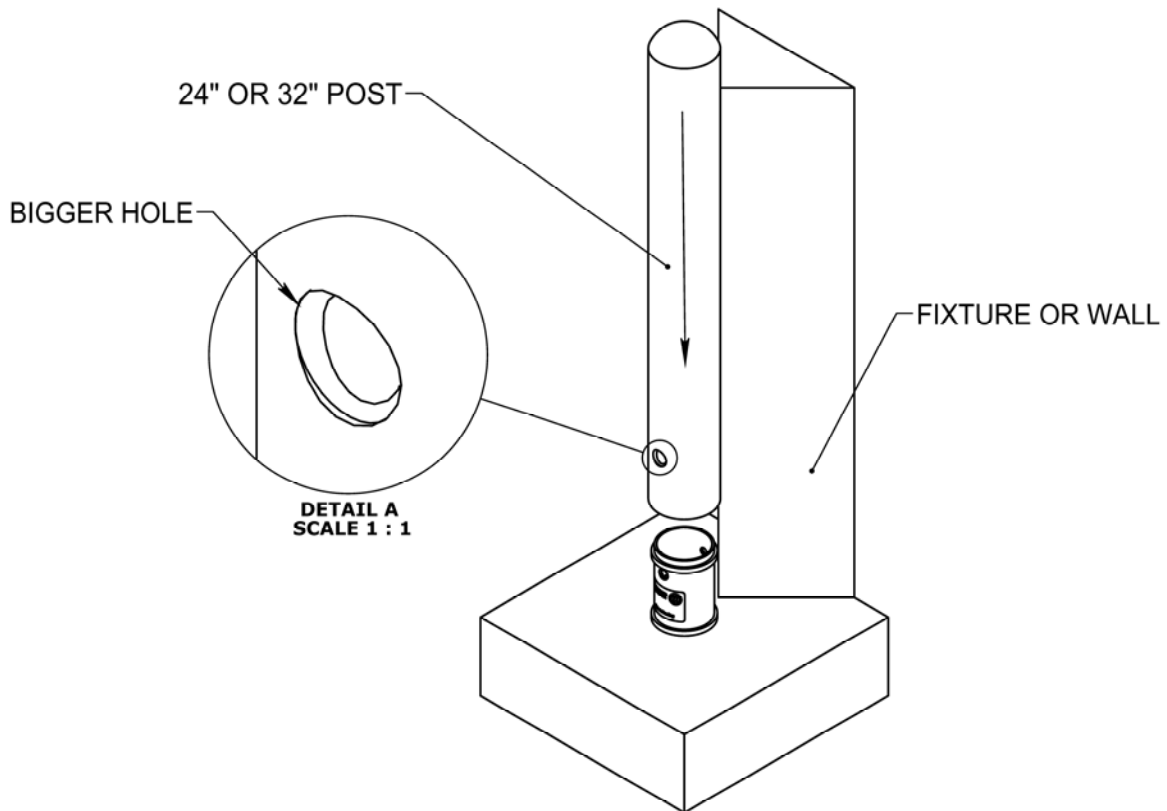
Step 2: Installing Anchor Base

- Place the cup in front of the fixture or corner so that the hole in the cup is facing outward as shown.
- Slide the washer and shock absorbing ring onto the concrete anchor then slide the anchor into the cup and the 5/8" hole in the floor.
- Tighten the anchor using an impact driver with a 15/16" socket.
- Important: grasp the cup with your hands and tighten the anchor until the cup feels solid and cannot be moved by hand.



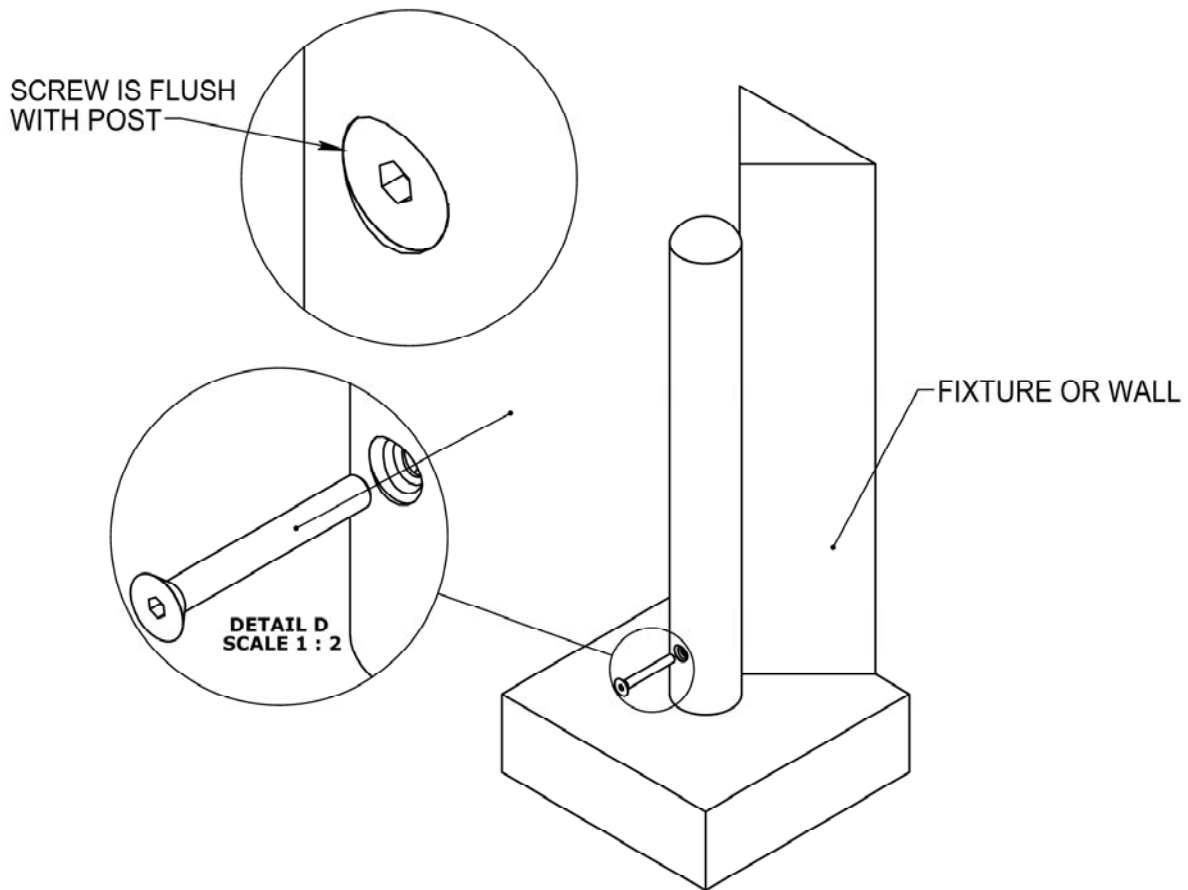
Step 3: Installing the Post

- Slide the post onto the cup assembly until it is flush with the floor.
- The post has two holes in it. Rotate the post so that the bigger hole in the post lines up with the front hole of the cup. The bigger hole in the post accommodates the head of the screw.

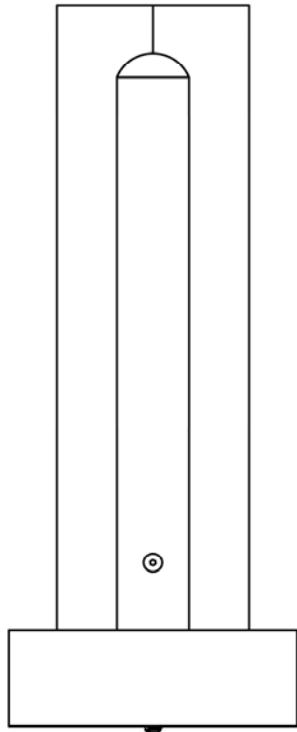


Step 4: Securing the Post to the Anchor Base

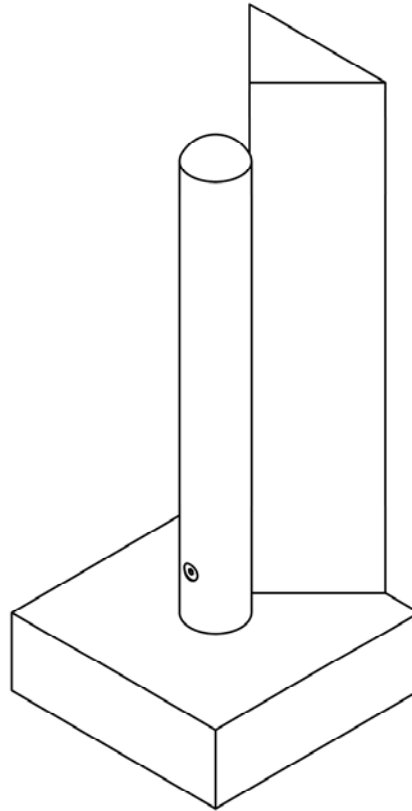
- Slide the 3/8-16 x 3.0" long flat socket head cap screw through post and into the cup.
- Use a 7/32" hex L key to turn the screw clockwise and secure the post to the cup.
- Fully tighten the screw until the head of the screw is flush with the outside of post.



Step 5: Installation is Complete



FRONT VIEW



ISOMETRIC VIEW