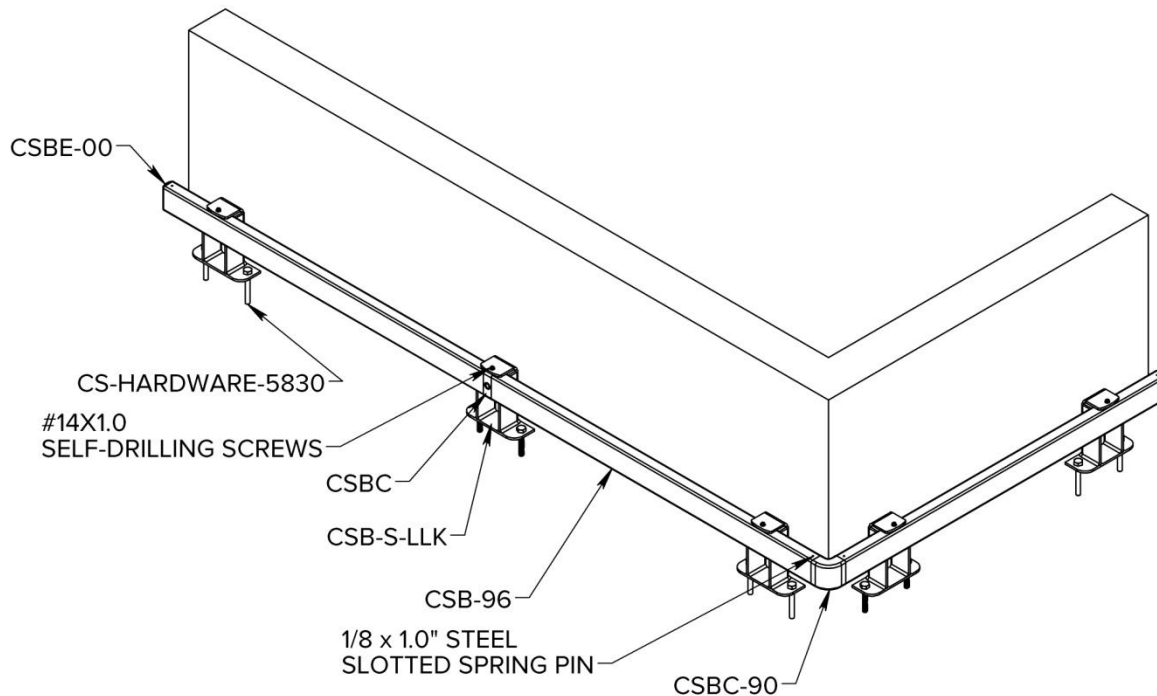


CartStopBoxRail Steel Leg Installation Instructions



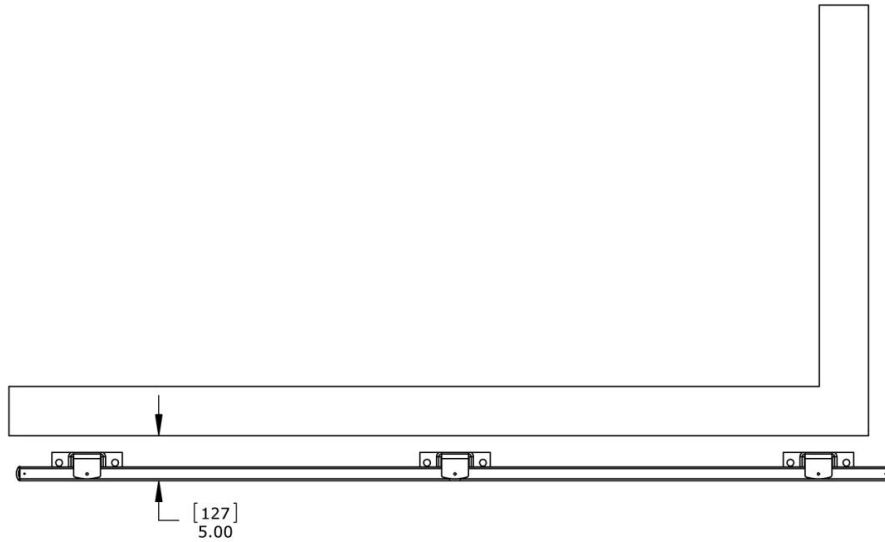
Tools Required:

- Hammer Drill
- 1/2" Carbide Bit
- Electric Drill with 1/8" (3.175mm) Bit
- Impact Driver or Socket Wrench with 3/4" Socket
- 12" Miter Saw with Steel Cutting Blade
- 1/2" or 9/16 Socket or Wrench Set
- 3/8" Hex Head Driver Bit for Self-Drilling Screws
- Utility Knife
- Tape Measure
- Pencil
- Hammer
- Rubber Mallet
- Straight Edge
- Brush and Dust Pan
- Chalk Line
- Carpenter Square or Framing Square
- Plumb Bob
- Wrench

Step 1: Layout and Positioning

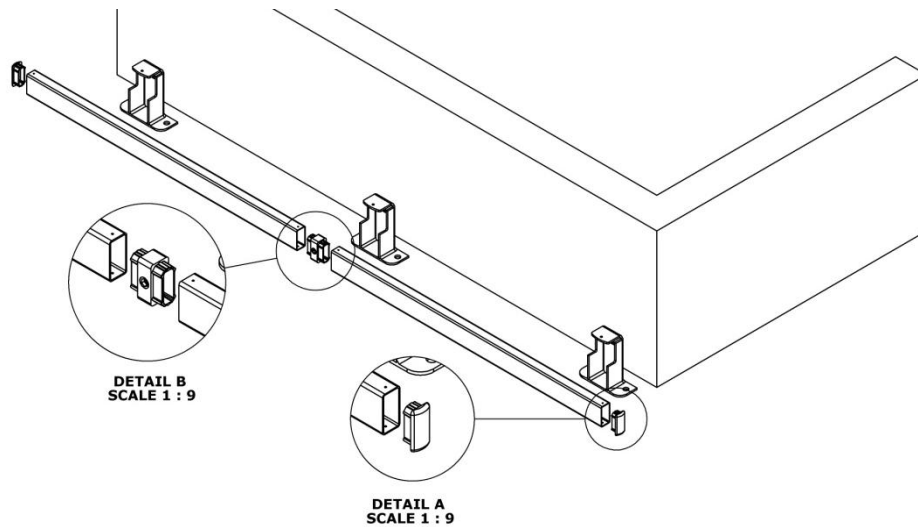
Assemble BoxRail in front of area or object to be protected. The outside edge of the front of the BoxRail should be approximately 5" (127mm) from area or object for optimal installation.

Tip: Preassemble entire run and measure all your cuts.



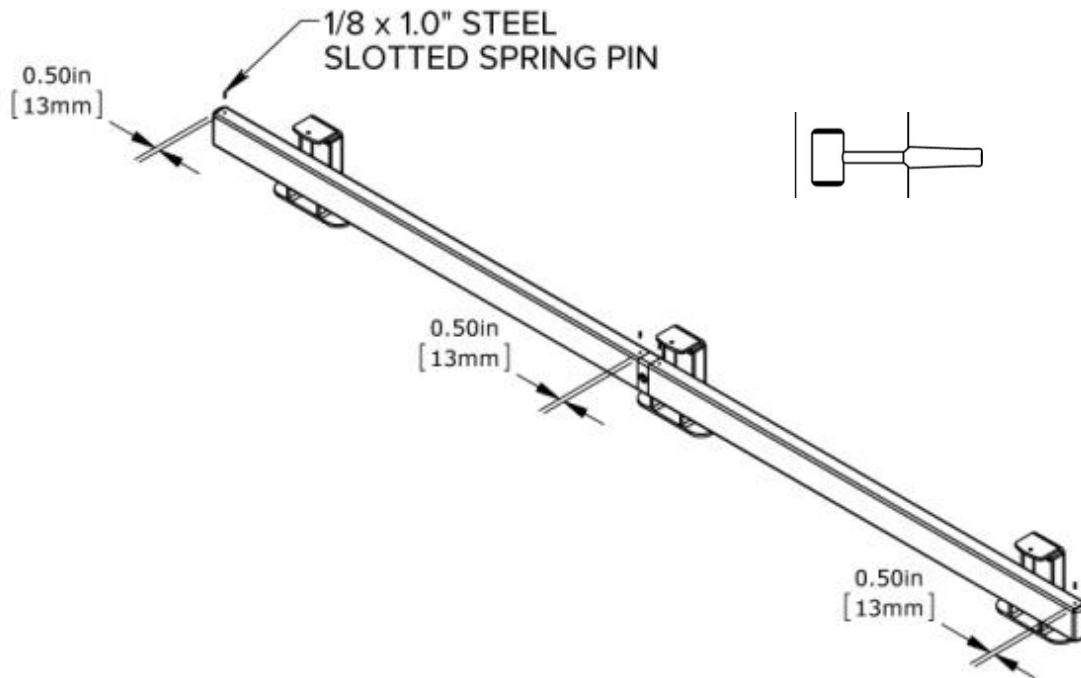
Step 2: Interlocking components to Rail

1. Insert End Cap into rail.
2. Insert Connector if extending the length of Boxrail.
3. Use a mallet to drive end caps and connectors flush with cut end of Boxrail.



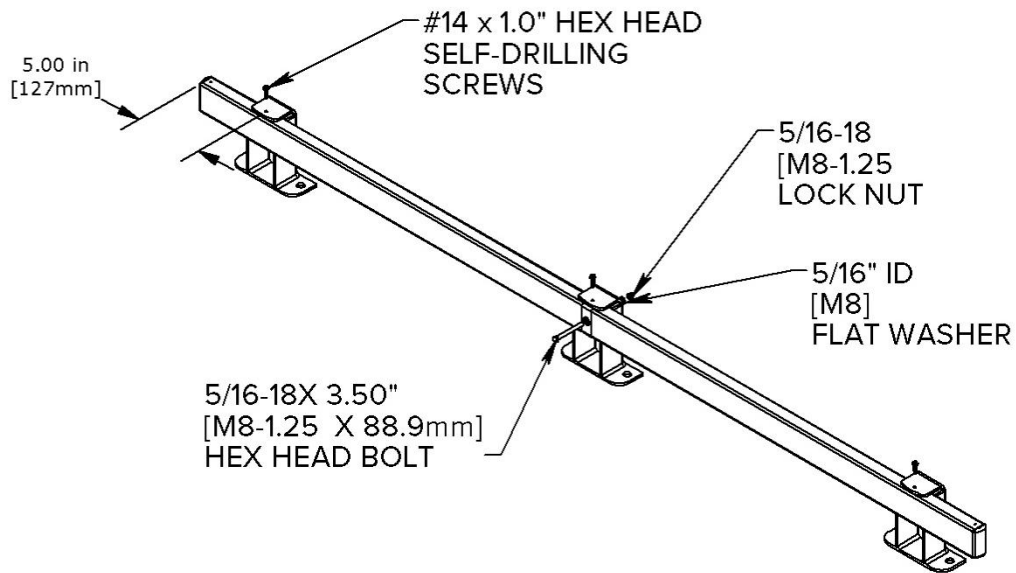
Step 3: Securing the End Caps

1. Drill a pilot hole 0.125" (3.2mm) Diameter at 0.50" [13mm] from the cut ends of the Boxrail deep enough to go through rail and end caps and connectors.
2. Insert tension pins and drive into pilot holes with a hammer until flush with the top face of rail.



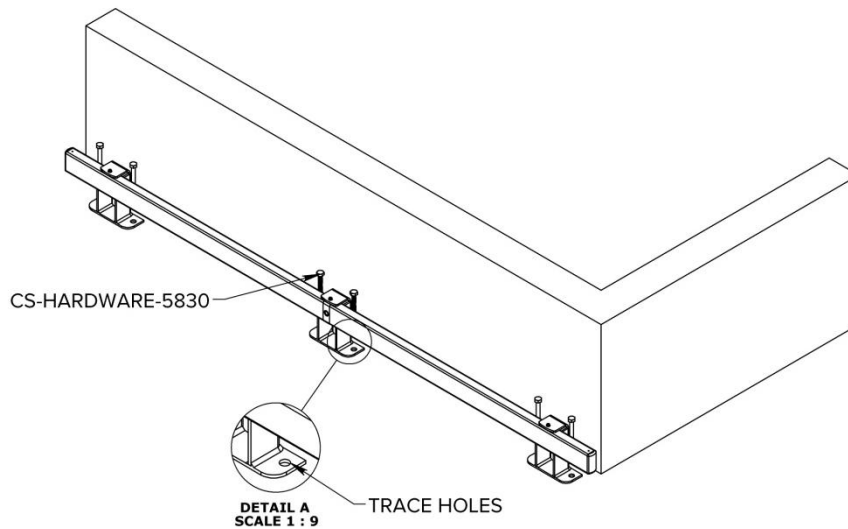
Step 4: Securing Rail and Connector to legs

1. Locate legs 5.0" [127mm] from the ends of the box rail as shown below.
2. Use a drill with a 3/8" hex driver bit to drive and secure a #14x1.25" long self-drilling screws thru the top plate of the legs until flush with surface.
3. Secure joiner connector to leg with a 5/16-18 x 3.50" Hex Head bolt, 5/16-18 Lock Nut and 5/16 ID Flat Washer. Use a 1/2" or 9/16" socket wrench to tighten nut until fully seated.



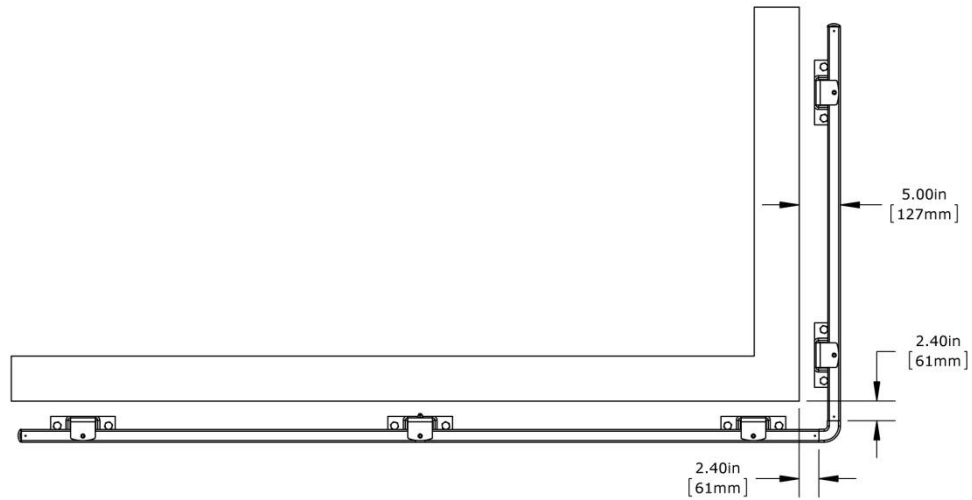
Step 5: Drilling and Securing

1. Making sure that the Box Rail System assembly is square and straight in its alignment, use a pencil or marker to mark the location of the anchor holes in the base of each plate of the leg onto the floor.
2. Remove Box Rail System assembly forward or drill out holes through the legs. Use a hammer drill with $\frac{1}{2}$ " carbide concrete bit to drill each marked hole to a depth that is slightly longer than 3" (the length of the supplied concrete anchors).
3. Remove dust and debris from the holes using a vacuum cleaner.
4. Align Boxrail System assembly over the respective drilled holes.
5. Drive the concrete anchors through the holes in each base plate and into the floor using an impact driver with a $\frac{13}{16}$ " socket. The bottom of the concrete anchor heads should be flush with the top of the base plates.

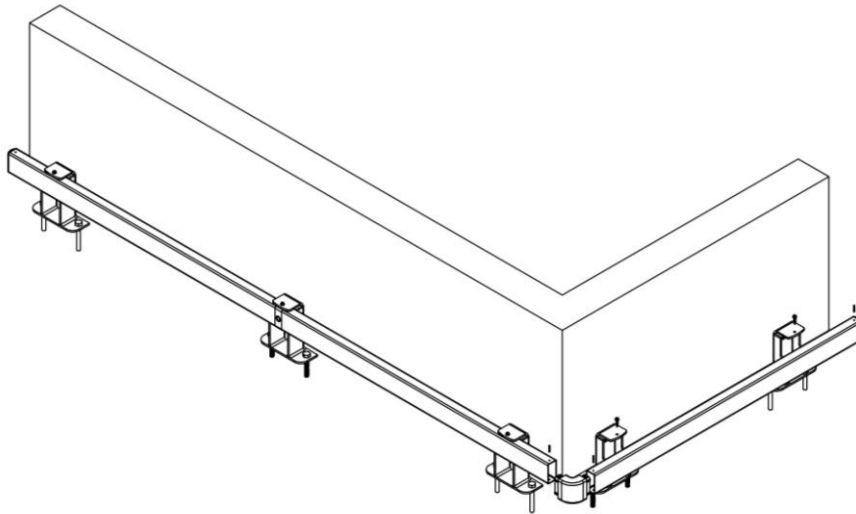


Step 6: Corner Layout and Positioning

1. Assemble BoxRail in front of area or object to be protected. The outside edge of the front of the BoxRail should be approximately 5" (127mm) from area or object for optimal installation.
2. The Box rail should extend 2.40" [61mm] from the corner of the wall to accept the aluminum corner.



Step 7: Corner Layout and Positioning



Step 8: Installation is Complete

