

# Installation Instructions

920/920FV/G2-920/A920 Handrails

Please read all instructions before installing handrail.

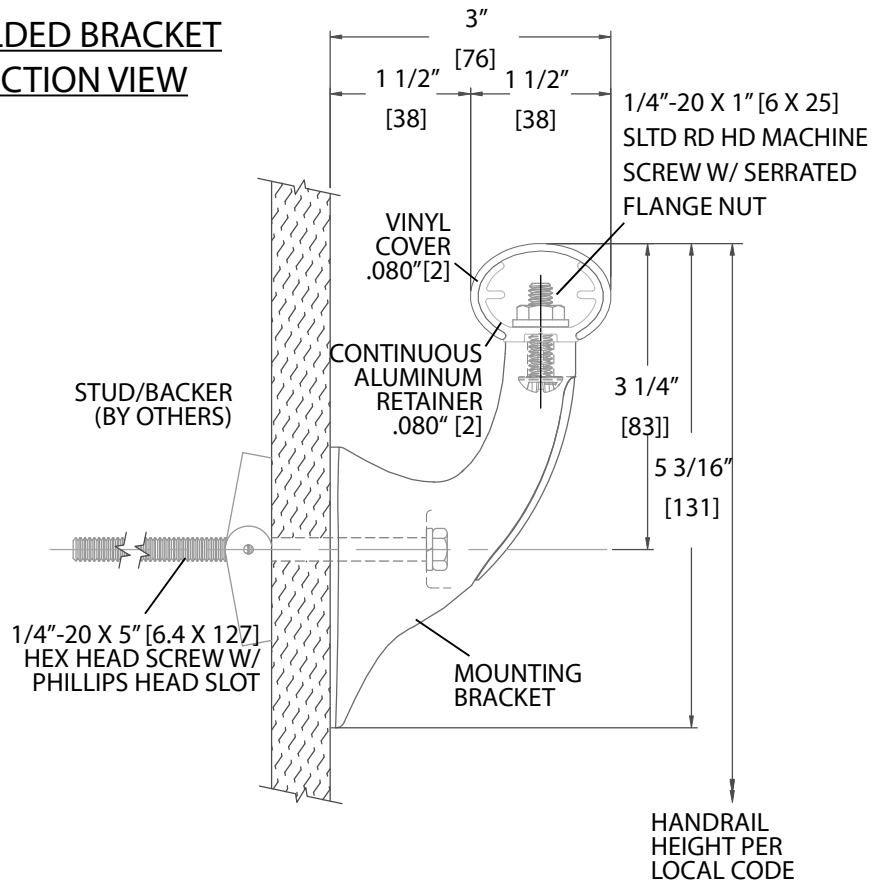
## Important

1. Acclimate materials 24 hrs before installation. Maintain temperature controlled environment after installation.
2. Install in accordance with manufacturer's installation instructions. Failure to do so will void the warranty.

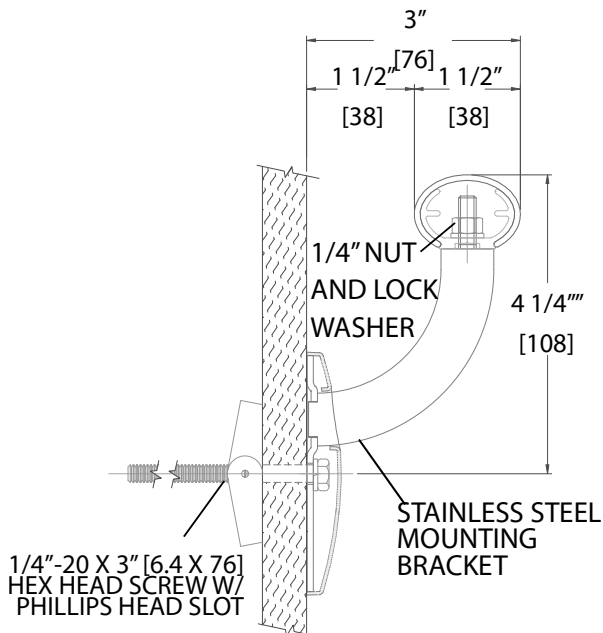
## Installation tips

1. Cut covers up to 1/16" (1.6mm) longer to ensure a tight fit.
2. Lubricate blades when cutting aluminum to reduce burrs.

### MOLDED BRACKET SECTION VIEW



### STAINLESS STEEL BRACKET SECTION VIEW



### Recommended tools

Safety Glasses, Tape Measure, 3/8" socket for machine screw hex bolt, 7/16" socket for wood screw hex bolt, Level, Phillips and Flat head Screwdrivers, Power Drill, Drill Bits - 1/4" masonry (concrete/concrete block), Power Miter Saw, 10" Blade with 60-80 Carbide Tipped Teeth.

IPC.2131/REV.2

IPC® Door + Wall Protection

inpro.com • 800.222.5556 • 262.679.9010

World Headquarters S80 W18766 Apollo Drive, Muskego, WI 53150 USA

Installation Hotline: 866.394.6776

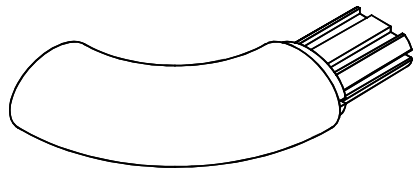
**inpro**®

# Installation Instructions

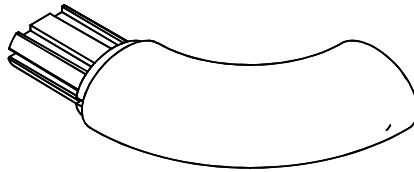
920/920FV/G2-920/A920 Handrails

Please read all instructions before installing handrail.

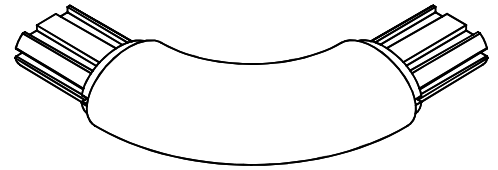
## Component Overview



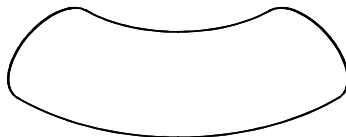
922  
LEFT RETURN



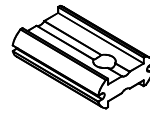
923  
RIGHT RETURN



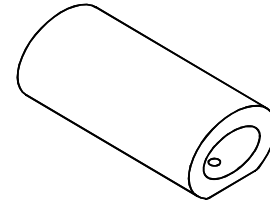
924  
INSIDE/OUTSIDE CORNER



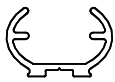
RC9OSS  
(OPTIONAL)  
LEFT/RIGHT RETURN/CORNER  
STAINLESS ST.



920-SPLINE  
(OPTIONAL)  
FOR STAINLESS ST. FITTINGS



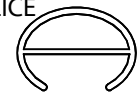
SPL9OSS-P  
(OPTIONAL)  
STAINLESS ST. SPLICE



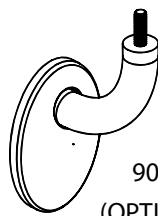
920A  
CONTINUOUS  
ALUMINUM RETAINER



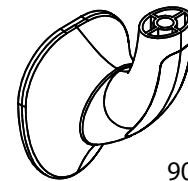
920V  
COVER



920 REVEAL  
STANDARD ON  
G2-920/920FV



909SS  
(OPTIONAL)  
MOUNTING BRACKET



908  
MOLDED BRACKET



804-910-SPL  
SPLICE



1/4-20  
SERRATED  
FLANGE NUT



1" SLOTTED  
RD. HEAD SCREW



7/8" SLOTTED  
PAN HEAD SCREW



#8 X 7/8" PHILLIPS  
PAN SDS SCREW



SET SCREW  
(OPTIONAL)  
SS FITTINGS

Wall Conditions	Specified Fasteners	Inpro Part#
Steel Stud/Gypsum Wall	1/4-20 x 3" Phillips hex head Bolt with toggle wing and lock washer	HWK-909D
Concrete/Concrete Block	1/4-20 x 3" Phillips hex head bolt with lead anchor and lock washer	HWK-909C
Wood Stud/Gypsum Wall	1-4" x 3" Hex Head Wood Screw and Lock Washer	HWK-909W
16GA Steel Backer/Gypsum Wall	#4 x 4" Indented hex washer, zinc-plated TEK screw	HW69
Steel Stud or Metal Backer/Drywall (OSHDP)	1/4-20 x 3" Phillips hex head Bolt with Lock Washer and 1/4" Hilti Toggler	HWK-909OD
Concrete/Concrete Block (OSHDP)	1/4" x 3" Torx Hex Washer Head Screw (Hilti Kwik-Con II) and Lock Washer	HWK-909OC
Wood Stud or Wood Backer/Gypsum Wall (OSHDP)	1/4" x 3" Hex Head Wood Screw and Lock Washer	HWK-909OW
Drywall/Gypsum	1/4-20 x 5" Phillips Hex Head with lockwasher, toggle wing nut and 1/4-20 slotted round head bolt with flanged nut	HWK-908D
Concrete/Concrete Block	1/4"-20 x 5" Phillips hex head with lock washer and lead, 1/4-20 x 1" slotted round head bolt with flanged nut	HWK-908C
Wood/Gypsum	1/4" x 5" Hex head wood screw and 1/2"-20 x 1" slotted round head bolt with lockwasher and flanged nut	HWK-908W
OSHDP Drywall	1/4"-20 x 5" Phillips hex head bolt with Hilti Toggler, 1/4-20 x 1" slotted round bolt with lock washer and flanged nut	HWK-908OD
OSHDP Concrete	1/4" x 4" Torx Hex Washer head and 1/4-20 x 1" slotted round head bolt with flanged nut	HWK-908OC
OSHDP Wood	1/4" x 5" Hex head wood screw with 1/4-20 x 1" slotted round head bolt with lockwasher and flanged hex nut	HWK-908OW
Tech Screw	#14 x 4" Tek Screw, 1/4-20 x 1 1/8" slotted bolt, 1/4-20 x 1" slotted round head bolt with lockwasher and flanged nut	HWK-908S

IPC® Door + Wall Protection

inpro.com • 800.222.5556 • 262.679.9010

World Headquarters S80 W18766 Apollo Drive, Muskego, WI 53150 USA

Installation Hotline: 866.394.6776

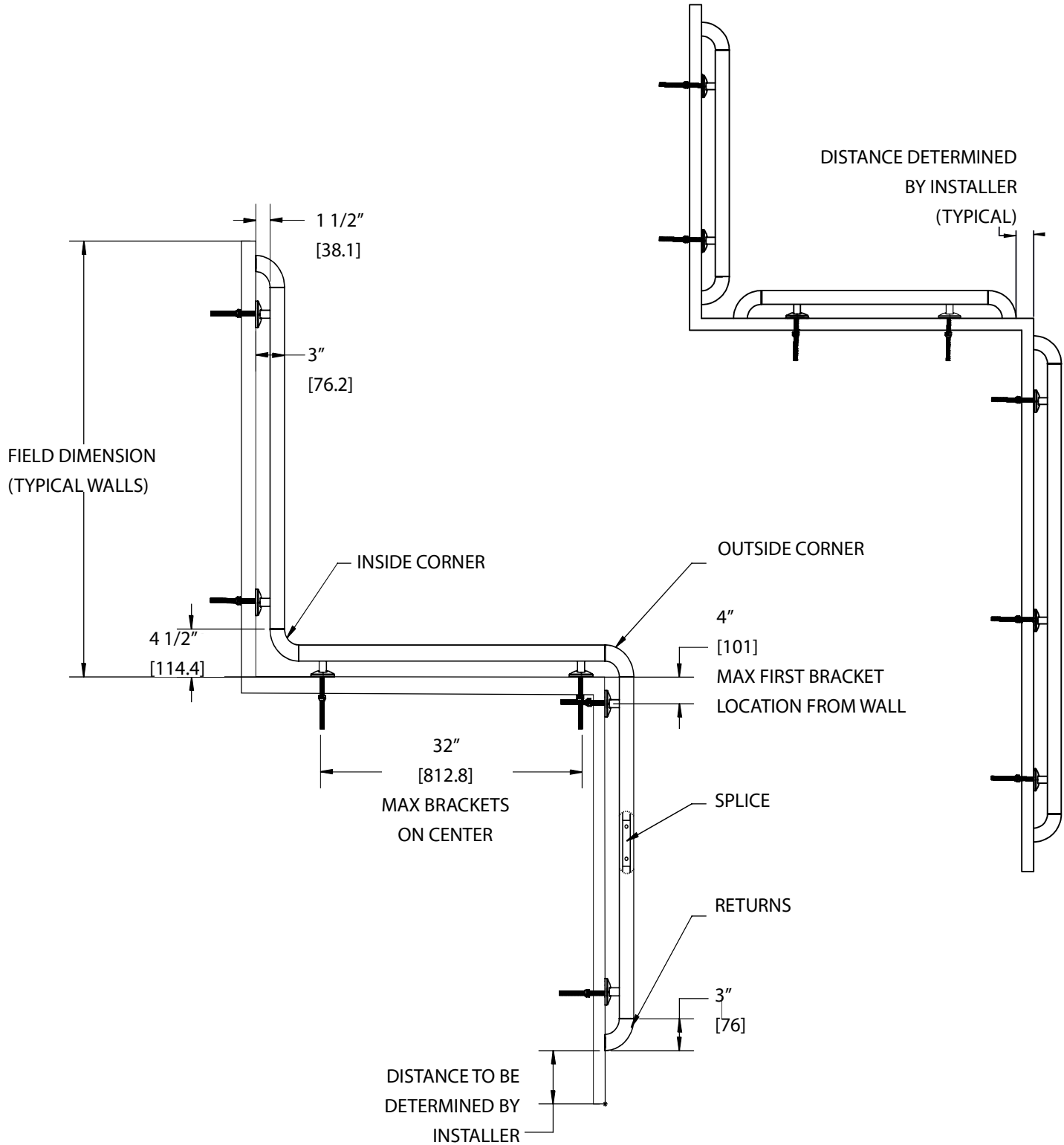
**inpro**®

# Installation Instructions

920/920FV/G2-920/A920 Handrails

Please read all instructions before installing handrail.

## Layout Views



IPC® Door + Wall Protection

inpro.com • 800.222.5556 • 262.679.9010

World Headquarters S80 W18766 Apollo Drive, Muskego, WI 53150 USA

Installation Hotline: 866.394.6776

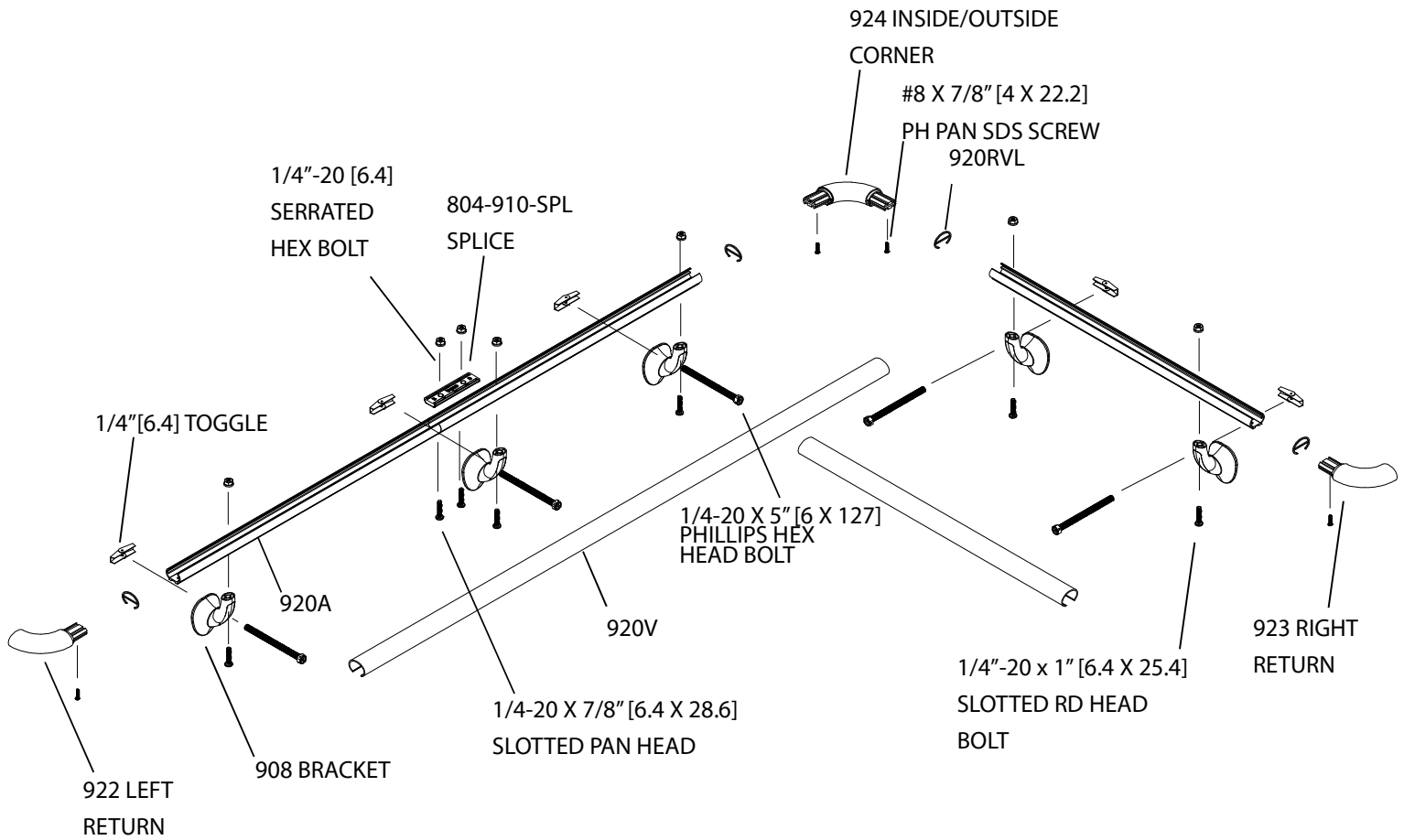
**inpro**®

# Installation Instructions

920/920FV/G2-920/A920 Handrails

Please read all instructions  
before installing handrail.

## Molded Exploded View Assembly



IPC® Door + Wall Protection

inpro.com • 800.222.5556 • 262.679.9010

World Headquarters S80 W18766 Apollo Drive, Muskego, WI 53150 USA

Installation Hotline: 866.394.6776

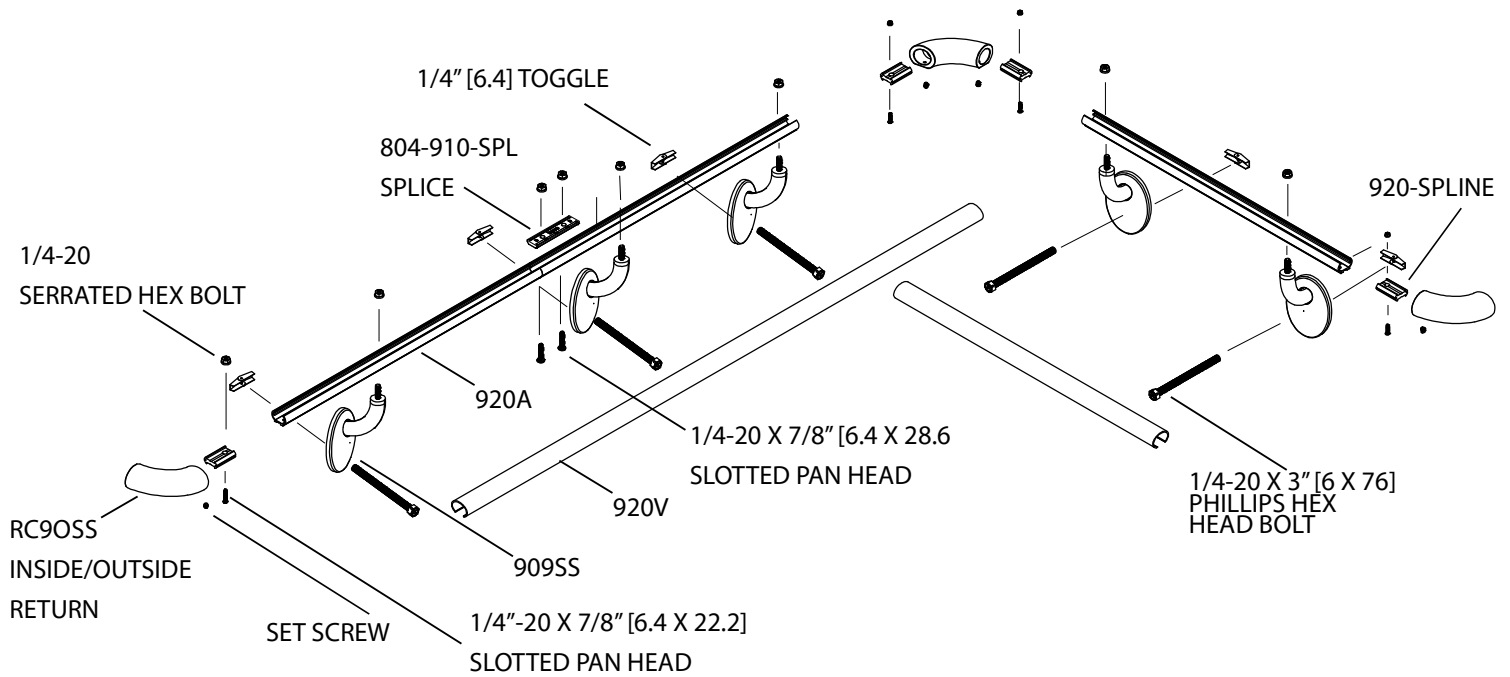
**inpro**®

# Installation Instructions

920/920FV/G2-920/A920 Handrails

Please read all instructions  
before installing handrail.

## Stainless Steel Exploded View Assembly



IPC® Door + Wall Protection

inpro.com • 800.222.5556 • 262.679.9010

World Headquarters S80 W18766 Apollo Drive, Muskego, WI 53150 USA

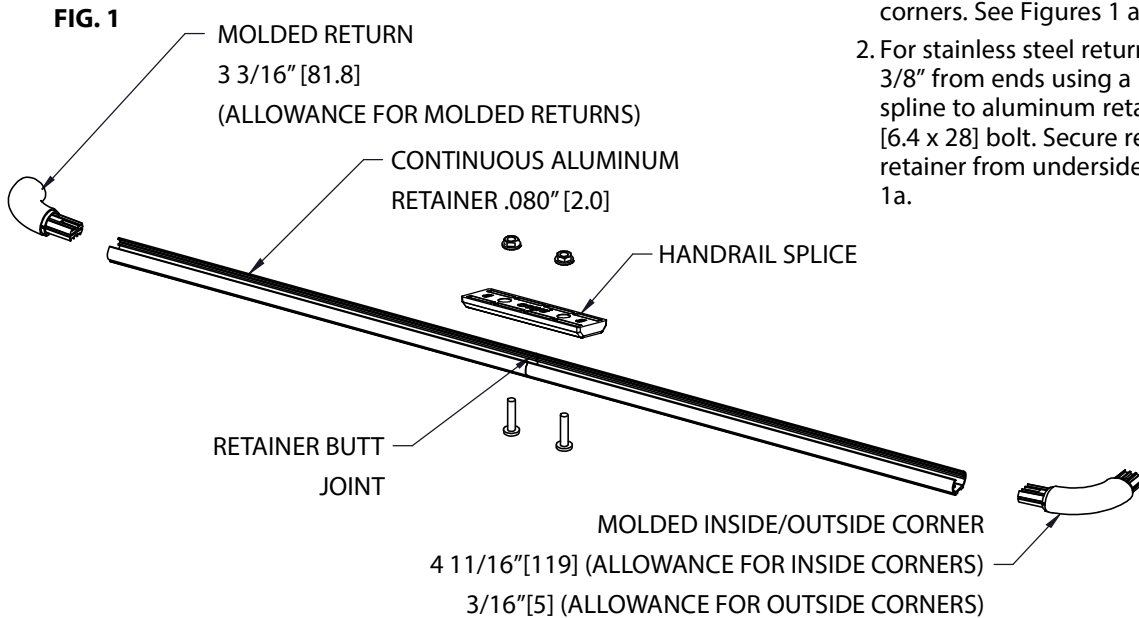
Installation Hotline: 866.394.6776

**inpro**®

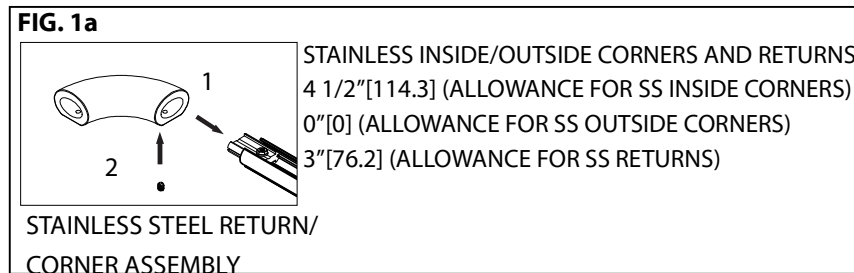
# Installation Instructions

920/920FV/G2-920/A920 Handrails

Please read all instructions before installing handrail.



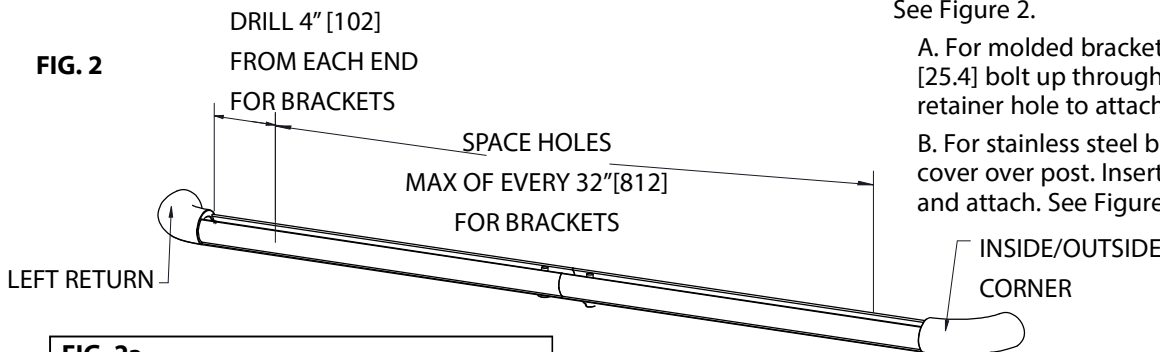
1. Cut aluminum retainer to desired length, leaving allowance for returns, outside corners and inside corners. See Figures 1 and 1a.
2. For stainless steel returns and corners, drill holes 3/8" from ends using a 1/4" [6.4] drill bit. Attach spline to aluminum retainers with 1/4-20 x 1 1/8" [6.4 x 28] bolt. Secure returns/corners to spline-retainer from underside using set screw. See Figure 1a.



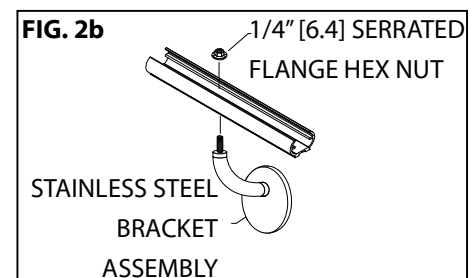
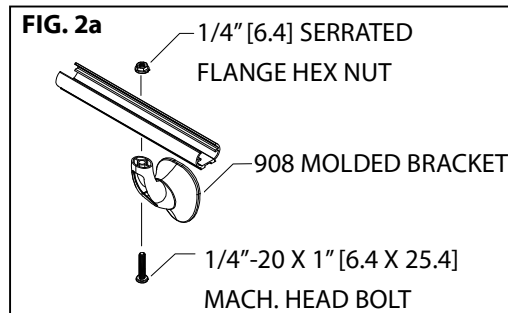
3. Drill holes in centerline of aluminum retainer for brackets and splices using 1/4" (6mm) drill bit. Attach returns, inside corners and outside corners to retainer.

See Figure 2.

**FIG. 2**



- A. For molded brackets, remove cap and run 1" [25.4] bolt up through small end of bracket and retainer hole to attach. See Figure 2a.
- B. For stainless steel brackets - slip stainless steel cover over post. Insert post through retainer hole and attach. See Figure 2b.



IPC® Door + Wall Protection

inpro.com • 800.222.5556 • 262.679.9010

World Headquarters S80 W18766 Apollo Drive, Muskego, WI 53150 USA

Installation Hotline: 866.394.6776

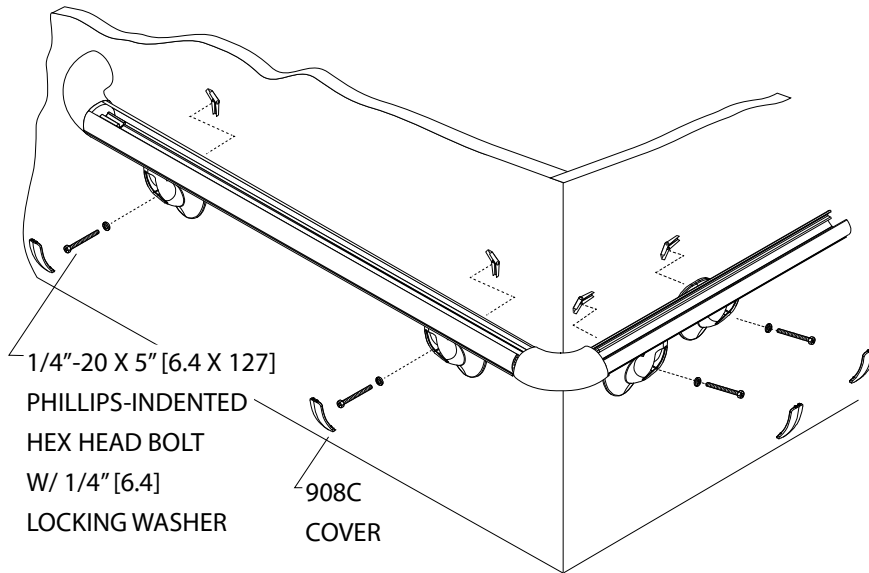
**inpro**®

# Installation Instructions

920/920FV/G2-920/A920 Handrails

Please read all instructions before installing handrail.

FIG. 3a



4. Position retainer against wall at desired height. Level and mark bracket holes on wall. Drill marked holes with 3/4" [19mm] drill bit for toggle bolts (drywall installation) or 1/2" [13mm] drill bit for lead anchor (concrete wall installation). Loosely attach mounting bolts to the brackets. Mount on wall, level retainer and tighten screws to secure. See Figure 3a.

NOTE: For stainless steel bracket, snap cover over mounting base when retainer is secure. See Figure 3b.

- 4a. For long runs of handrail, secure each section of aluminum retainer to the next with the supplied splice piece.

NOTE: Make sure you install the splice with side "B" facing up.

FIG. 4

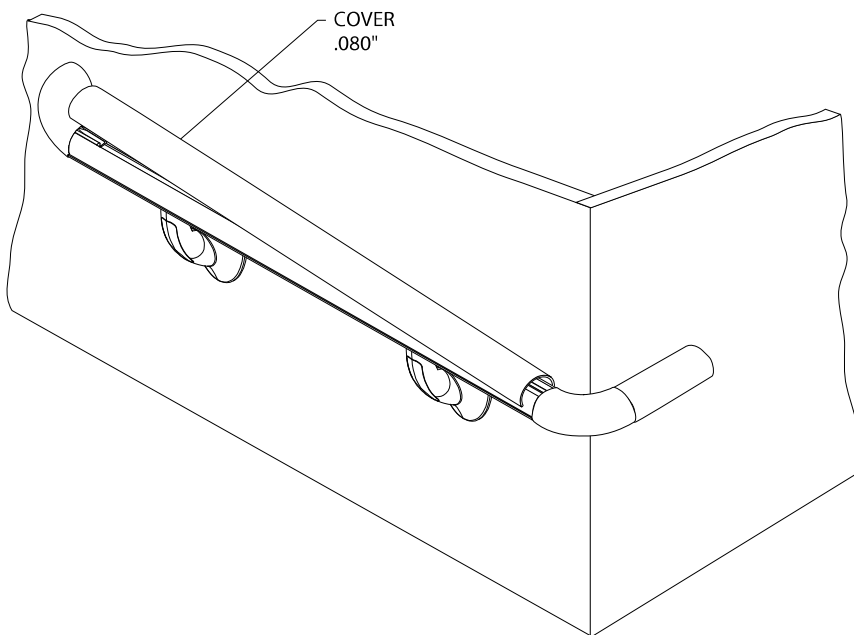
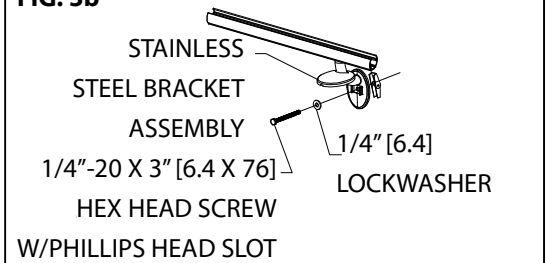


FIG. 3b



5. Cut cover to length between returns and/or corners. (Note: Trim factory edges square before installation). Position cover on retainer at one end and work to the other end by snapping the cover over the retainer. See Figure 4.

IPC® Door + Wall Protection

inpro.com • 800.222.5556 • 262.679.9010

World Headquarters S80 W18766 Apollo Drive, Muskego, WI 53150 USA

Installation Hotline: 866.394.6776

inpro®