

CartStop Guidance Rail Installation Instructions

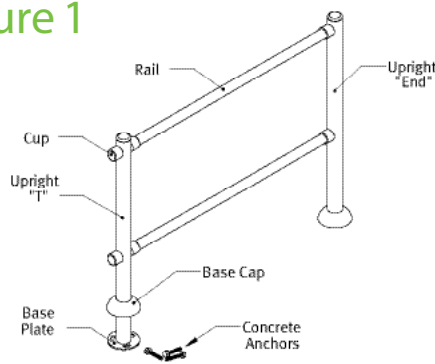
Tools and Hardware Required

Tape Measure • Pencil or Marker • 5mm Allen Hex Key • Impact Hammer with 1/2" Carbide bit • Impact Hammer with 13/16" socket • Vacuum Cleaner

Assembly

Guidance Rail consists of a series of uprights supporting two parallel rails. There are four types of uprights (end, middle, corner and T-section) and three lengths of rail (47, 59 and 68 inches long) which can be assembled into many different configurations. Each upright is fixed to the ground using three self threading concrete anchors. See Figure 1.

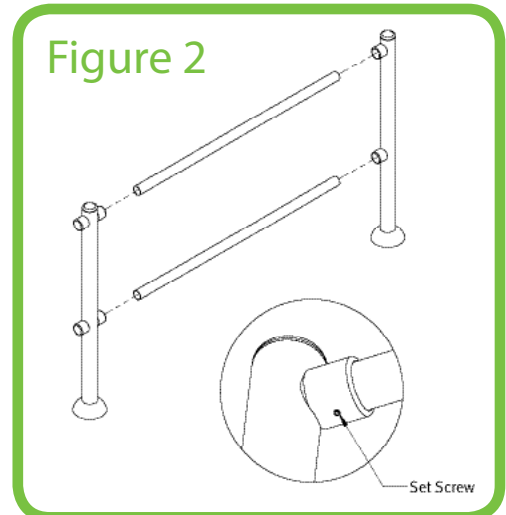
Figure 1



Step 1: Assembly of Guidance Rail unit. See Figure 2.

1. Unpack the desired rails and uprights. Be careful to use the correct upright in accordance to the desired overall Guidance Rail configuration.
2. Insert the rails into the corresponding cups on the uprights.
3. Fix each end of the rails within the cup by tightening the set screw using a 5mm Allen Hex Key. The set screws are already threaded into cups of uprights.

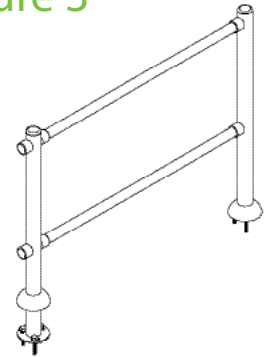
Figure 2



Step 2: Installation of Guidance Rail unit (into concrete surface). See Figure 3.

1. Position unit as desired. Use a tape measure to insure proper spacing and that unit is square and straight.
2. Lift base cap and mark the location of base plate fixing holes on mounting surface.
3. Remove unit to expose markings.
4. Use an Impact Hammer with a ½ Carbide Bit to drill each hole to a depth greater than 4 inches.
5. Remove dust and debris from holes using a vacuum.
6. Position Guidance Rail unit over respective drilled holes.
7. Take supplied concrete anchors and insert them into the holes, tightening by hand as much as possible.
8. Drive anchors into the mounting surface using an electric impact driver with a 13/16" socket. Bottom of anchor heads should be flush with top of Guidance Rail base plate.
9. Installation of Guidance Rail unit is complete.

Figure 3



Step 3: Installation of additional Guidance Rail units. See Figure 4.

1. Unpack the desired rails and upright.
2. Insert the rails into the corresponding cups on the "new" unfixed upright and fix by tightening the 5mm set screws.
3. Install the unfixed ends of the rails into the cups of the preinstalled upright from Step 2. Do not tighten the set screws on the preinstalled upright.
4. Lift the base cap and mark the location of base plate fixing holes on the mounting surface.
5. Install the new upright as described in Step 2.
6. After finishing the installation, be sure to fix the rails by tightening the set screws on the cups of the preinstalled upright.

Figure 4

