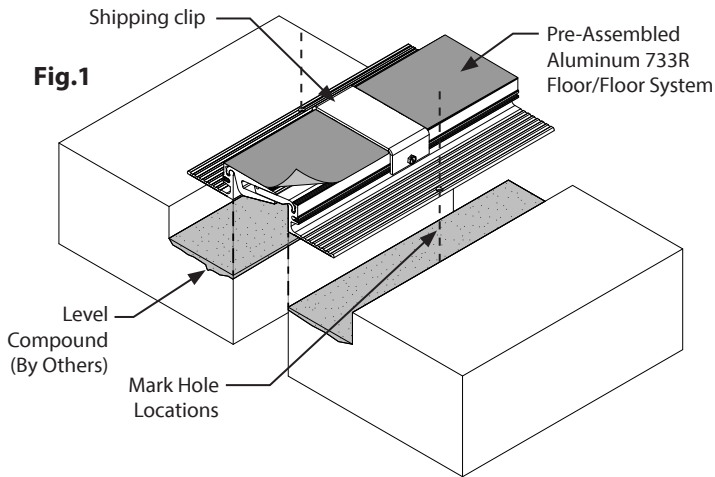


# Installation Instructions

## Joint System: 733R-A01 Installation Instructions

Note: Verify that the structural gap is in conformance with submittal data before beginning installation. If this is a Fire Rated Assembly, install the fire barrier before the Architectural Joint System. Refer to the fire barrier instructions for specific system installation.

For installations subject to non-conditioned applications, a thermal gap is required between the end-to-end connections of the frames and covers. When installing in warm conditions (ie- 75F / 22C or greater), the covers can abut each other directly, however during cooler weather installs (70F / 21C or less), the recommended gap width between frames and covers is 1/8" (3mm) min. Prior to installing the next frame in sequence, apply polyurethane sealant (By Others) to the end of the frame / cover before seating the next profile.



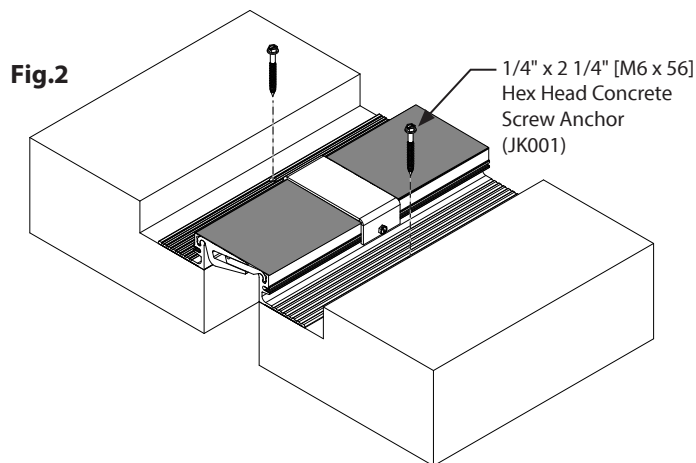
1. Before installing the expansion joint, ensure the block out is flat and level slab to slab. If a finished floor will be installed, make sure the frames will be flush with the finished floor. This may require the use of leveling compound. Ensure the blockout and joint opening are sound.
2. Cut components to size as needed for each length of expansion joint.

**Fig.1**

3. The expansion joint is shipped preassembled, with a protective coating over the exposed face. Do not unassemble the system before installation.
4. Center the expansion joint system over the structural gap. Mark the pre-drilled hole locations on the frame.

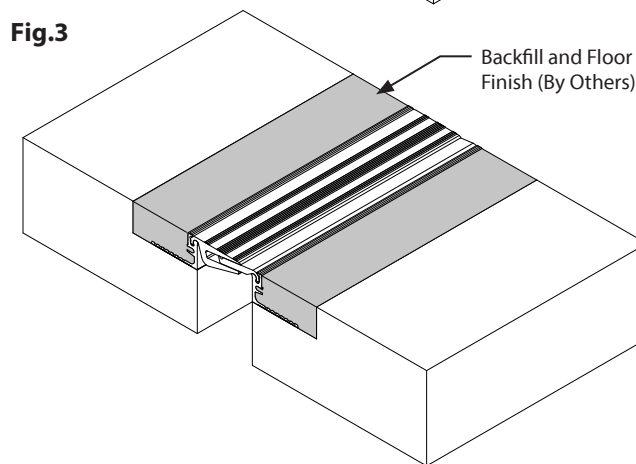
Note: If run includes a floor to wall condition, one side of the 733R-A01 will need to be offset over the edge of the expansion joint for alignment. Install 733R-A02 system before 733R-A01.

5. Remove the system from the block out, and the hole locations using a 3/16" [4.7mm] drill bit to a depth of 2" [50mm].



**Fig.2**

6. Return the system to position within the block out and anchor in place using supplied concrete screw anchors.
7. Continue installing the expansion joint run. 1/4" [4.5mm] metal rods may be inserted in the rounded end of the screw chase of the floor frames to aid in alignment.
8. After the expansion joint run is complete, and been anchored in place. Remove shipping clips and protective cover.



**Fig.3**

9. Once entire expansion joint run installation is complete, infill both blockouts with epoxy grout.

IPC.4186/REV.1

JOINTMASTER® Expansion Joint Systems

inpro.com • 800.222.5556 • 262.679.9010

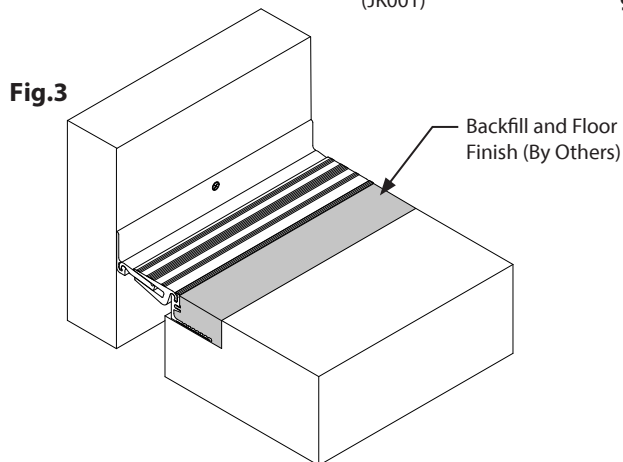
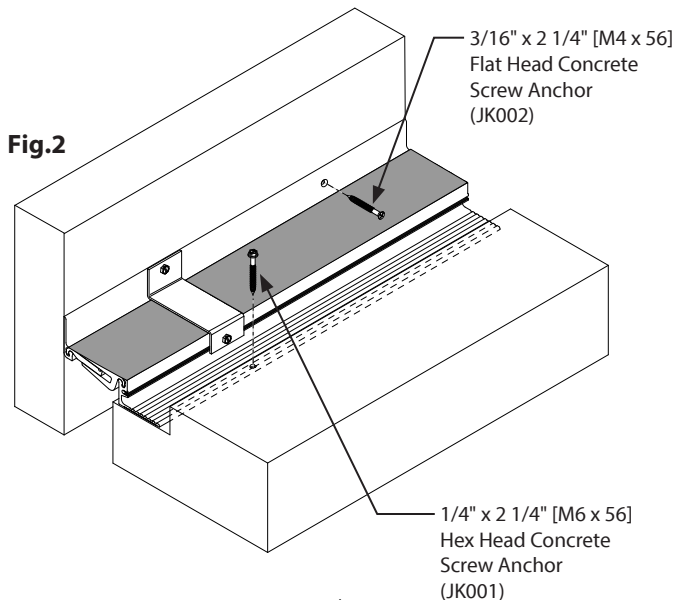
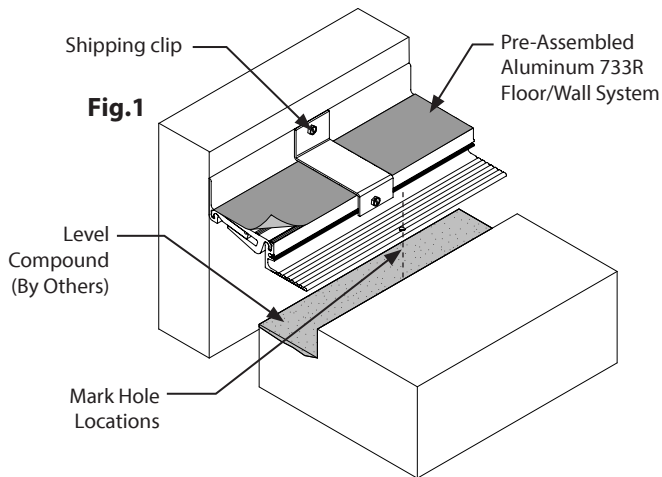
World Headquarters S80 W18766 Apollo Drive, Muskego, WI 53150 USA

Installation Hotline: 866.394.6776

**inpro**®

# Installation Instructions

## Joint System: 733R- A02 Installation Instructions



1. Before installing the expansion joint, ensure the block out is flat and level slab to slab. If a finished floor will be installed, make sure the frames will be flush with the finished floor. This may require the use of leveling compound. Ensure the blockout and joint opening are sound.

Note: Trimming of the corner edge is necessary for correct installation at joint sizes 3" [76 mm] and 4" [102 mm].

2. Cut components to size as needed for each length of expansion joint.

### Fig.1

3. The expansion joint is shipped preassembled, with a protective coating over the exposed face. DO NOT disassemble the system before installation.
4. Position the vertical wall frame of the expansion joint system flush against the wall, over the structural gap. Mark the pre-existing hole locations on the hole locations for both the wall, and floor frame.
5. Remove the system from the block out, and drill the marked hole locations using a 3/16" [4.7mm] drill bit to a depth of 2" [50mm].

### Fig.2

6. Return the system to position within the block out and anchor in place using supplied screw anchors.
7. Continue installing the expansion joint system
8. After the expansion joint run is complete, and been anchored in place. Remove shipping clips and protective cover.

Note: Install the remaining wall anchors as needed.

### Fig.3

9. Once entire expansion joint run installation is complete, infill both blockouts with epoxy grout.

JOINTMASTER® Expansion Joint Systems

inpro.com • 800.222.5556 • 262.679.9010

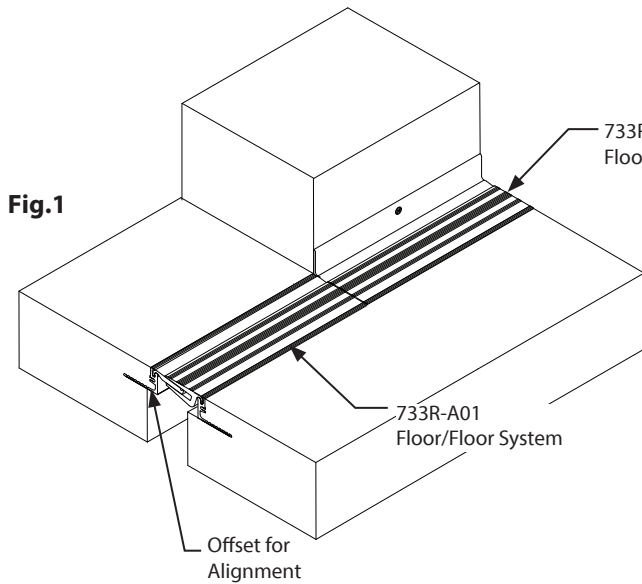
World Headquarters S80 W18766 Apollo Drive, Muskego, WI 53150 USA

Installation Hotline: 866.394.6776

**inpro**®

# Installation Instructions

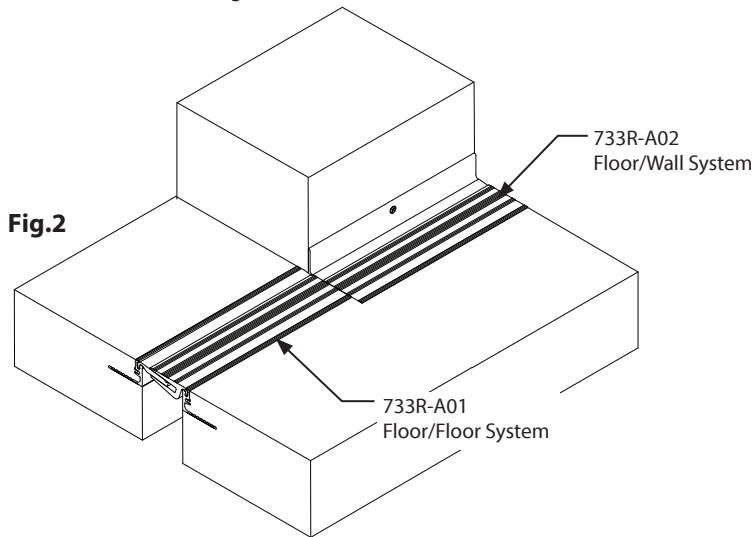
## Joint System: 733R-A01 to 733R-A02 Transition Instructions



**Fig.1**

**Fig.1:**

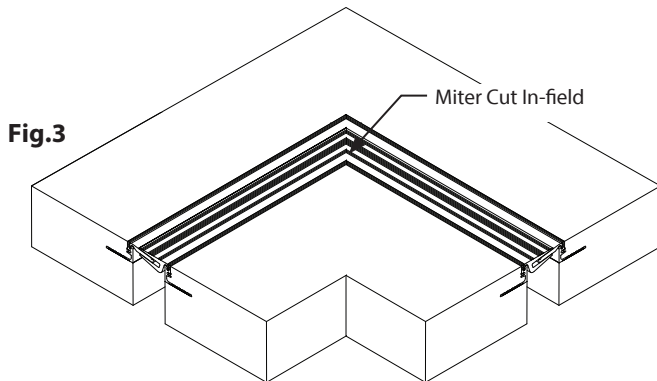
1. Floor/Floor system transitions to Floor/Wall (with alignment)  
Not to be used where fork lift, or heavy scissor lifts may be used.



**Fig.2**

**Fig.2**

1. Floor/Floor system transitions to Floor/Wall (without alignment)  
To be used where fork lift, or heavy scissor lifts may be used.



**Fig.3**

**Fig.3**

1. All 90° Transitions  
Miter cut entire stick (assembled) to desired angle. Using a miter cut saw, and silicone lubricant.  
Install system cut sides flush to each other.