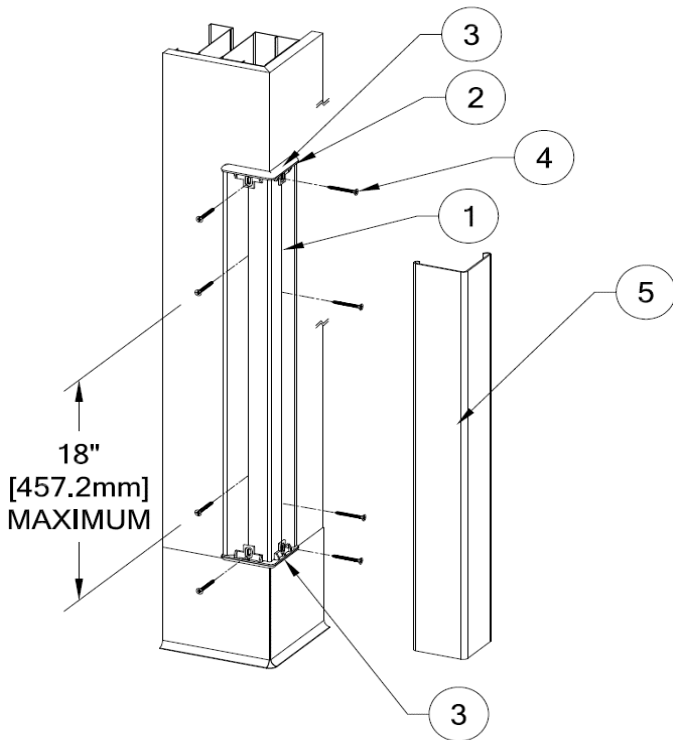
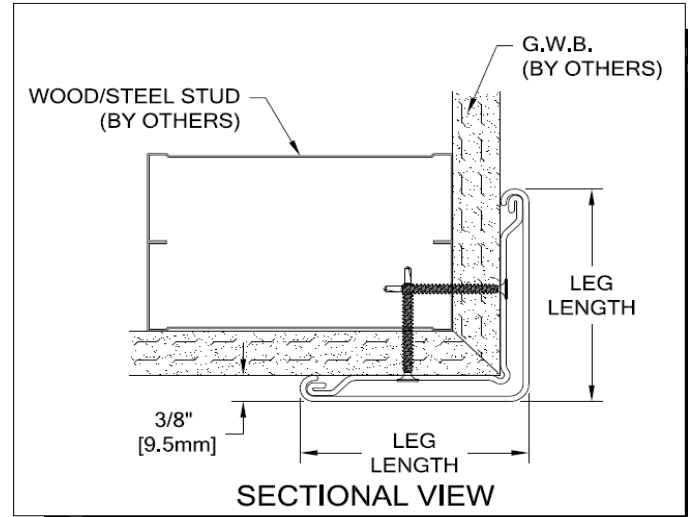


ATTENTION

Please read these instructions thoroughly prior to beginning the **SURFACE MOUNTED CORNER GUARD** installation!

This instruction sheet is intended to provide a specific guide to follow for the installation of the **SURFACE MOUNTED CORNER GUARD**. Contained within is the technical information and installation techniques required to complete an efficient, neat, and long-lasting installation.

See **“Corner Guard– Supplemental Information”** sheet for additional notes and other helpful installation tips.



Parts List

1. Aluminum or regrind retainer
 - a. SM-10 Aluminum (24A341000)
 - b. SM-20 Aluminum (24A339000)
 - c. SM-20 Regrind (24U026000)
 - d. SSM-20 Aluminum (24A340000)
 - e. SSM-20 Regrind (24U030000)
2. Optional Accent Reveal (Only available in Black)
 - a. SM-20N (24I099108)
 - b. SSM-20N (24I100108)
3. Top & Bottom Cap
 - a. SM-10N (24I993XXX)
 - b. SM-20N (24I068XXX)
 - c. SSM-20N (24I070XXX)
4. Specified fastener
5. Corner Guard Cover
 - a. SM-10N (24U130XXX)
 - b. SM-20N (24U002XXX)
 - c. SSM-20N (24U004XXX)

INSTALLATION INSTRUCTIONS

1. All Surface Mounted Corner guards are shipped with retainers and Acrovyn covers cut-to-length.
2. For Drywall/Plaster wall construction, it is recommended for fasteners to be engaged into metal/wood studs to maintain maximum pullout strength.
3. Fasteners are to be staggered by 2" to avoid interference and spalling of the masonry wall.
4. Locate and install CS Corner guards in accordance with architectural drawings and specifications. When required, CS Shop drawings should be used in conjunction with these documents.
5. Lay out the work to be completed, including component parts, at each location to receive corner guards as indicated by the CS Shop drawings. Spot check the material for any damage incurred during shipping and/or handling at the jobsite.
6. Cut the aluminum or regrid retainer to length using the required deductions (Reference standard deductions on page 3).
7. It is recommended that Acrovyn cover and Aluminum retainer be cut with an 80-100 tooth carbide tipped saw blade or equivalent.

Note: For concrete / CMU wall applications, end caps should be pop riveted to retainer prior to installing retainer. See detail on page 3.

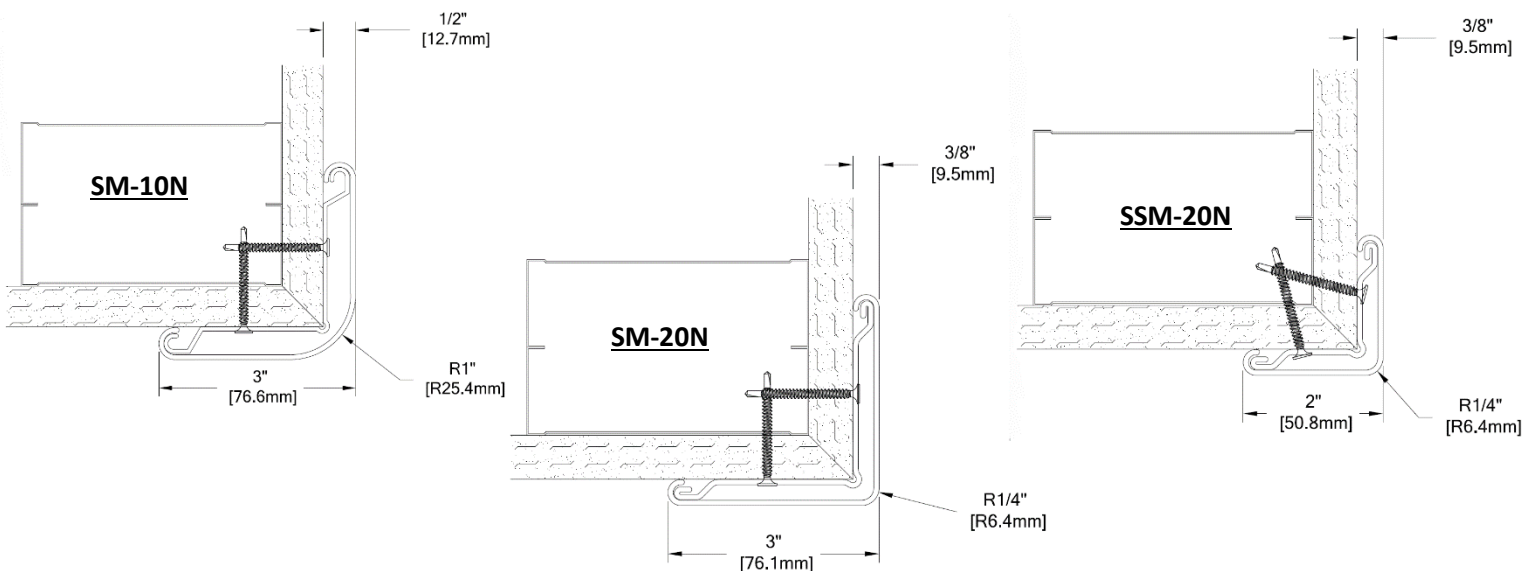
8. Install retainer 1/4" above cover base or finish floor using the required fasteners as noted on page 3.
9. Install the bottom end cap by abutting the cap with the end of the retainer, allowing the flanges to overlap the end of the retainer as shown. Secure into position using the specified fasteners.

Note: To aid in locating the end caps correctly, cut a 4" section of cover from scrap and snap it on the retainer. Locate the cap so it aligns flush with top and bottom of the cover.

10. Repeat the procedure to install the top end cap.
11. Cut the Acrovyn cover to the proper length using the required deductions (Reference standard deductions on page 3).

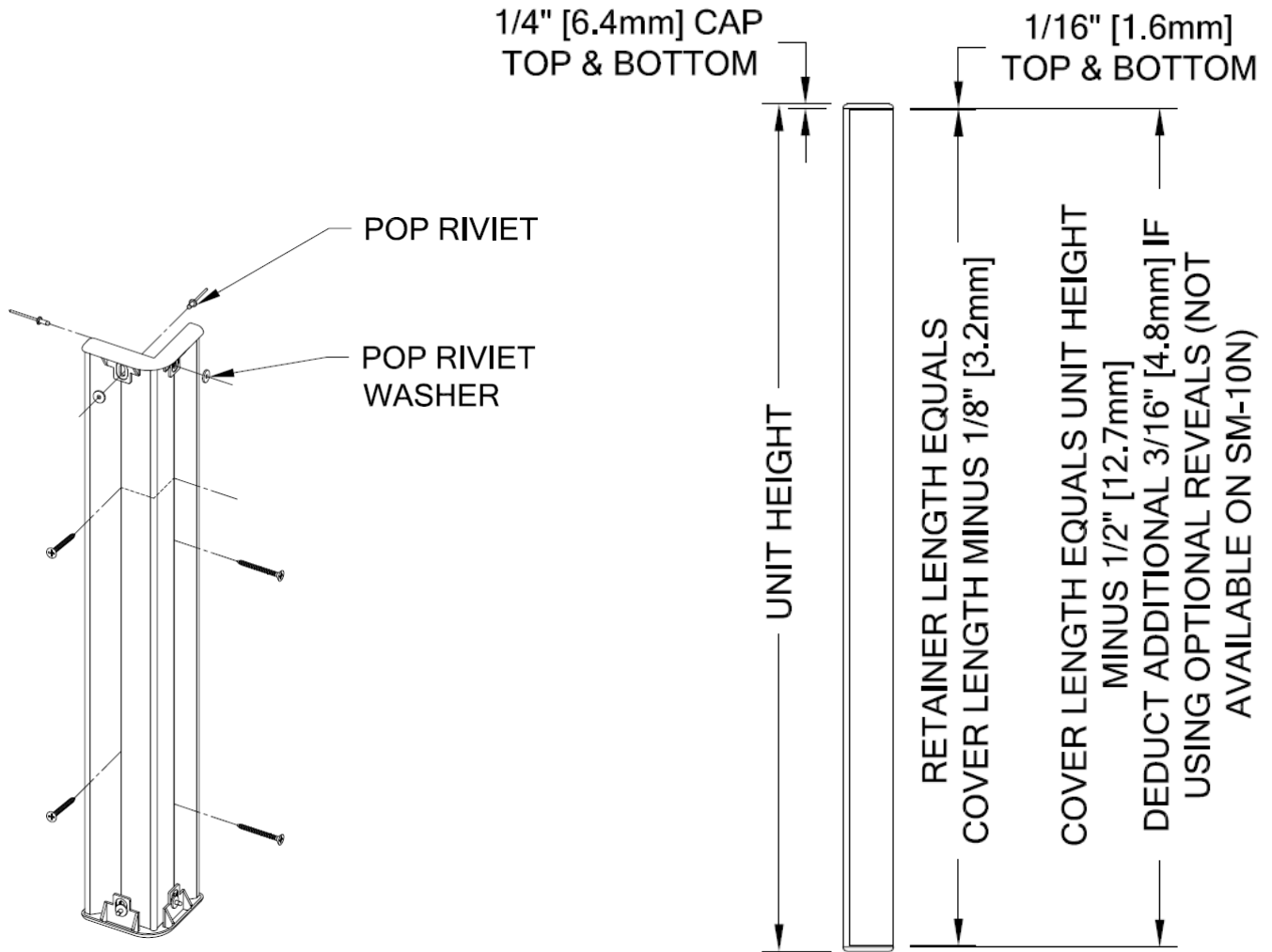
Note: If optional accent reveals are to be installed, they need to be installed prior to installing the cover to the retainer.

12. Finish installation by snapping the Acrovyn cover onto the retainer.



Hughesville, PA | 800.233.8493 | 570.546.5941
 Mississauga, ON | 888.895.8955 | 905.274.3611

www.c-sgroup.com
IWPTechSupport@c-sgroup.com



**CONCRETE / C.M.U. WALL
APPLICATION END CAP
ATTACHEMENT**

STANDARD DEDUCTIONS

WALL CONDITION	SPECIFIED FASTENER	DRILL DIAMETER		CS PART NUMBER
		WALL	RETAINER	
STEEL STUD/GYPSUM WALL WOOD STUD/GYPSUM WALL	#6 X 1 5/8" BUGLE HEAD SMS	N/A	1/8"	90H079002
CONCRETE/CONCRETE BLOCK	AF-6 PLASTIC ANCHOR #10 X 1 1/2" PHILLIPS PAN HEAD SMS	1/4"	9/32"	90H039004 90H189002
CONCRETE/CONCRETE BLOCK END CAP ATTACHMENT	1/8" BLIND RIVET #8 SAE FLAT WASHER STEEL PLATED	N/A	5/32"	90H111002 90H010003

Hughesville, PA | 800.233.8493 | 570.546.5941
 Mississauga, ON | 888.895.8955 | 905.274.3611

www.c-sgroup.com
IWPTechSupport@c-sgroup.com

© Copyright 2017 Construction Specialties, Inc.