

Installation Instructions

JOS-Crrnr090

Read all installation instructions before installing product. If retrofitting a parking area, always use cones, barrels or other means to secure the area and alert motorists. Confirm installation height meets local building codes, if any apply.

Fig.1

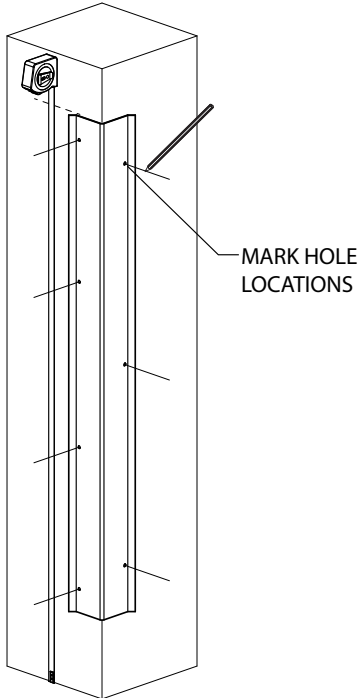


Figure 1

1. Position corner guard retainer at appropriate height on the wall. Mark the pre-drilled holes from each wing of the corner guard retainer onto the substrate it is being installed on. When finished, remove corner guard retainer from corner.

Figure 2

2. Drill the marked hole locations using a 5/16" [8mm] drill bit. Make sure holes are clean and free of debris and dust, blow out holes with compressed air if required.

Figure 3

3. Insert supplied 5/16" x 1-5/8" [41mm] flanged alligator anchors (found in hardware pack JK182) into the drilled holes.

Fig.2

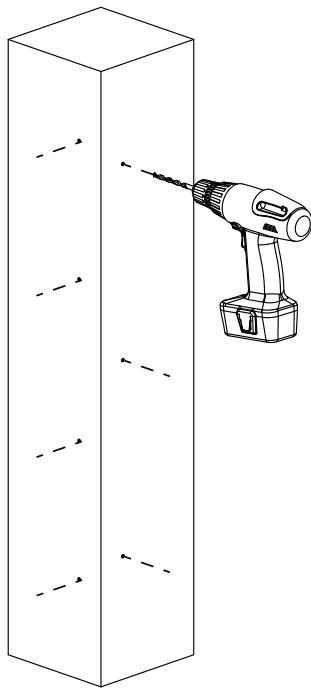
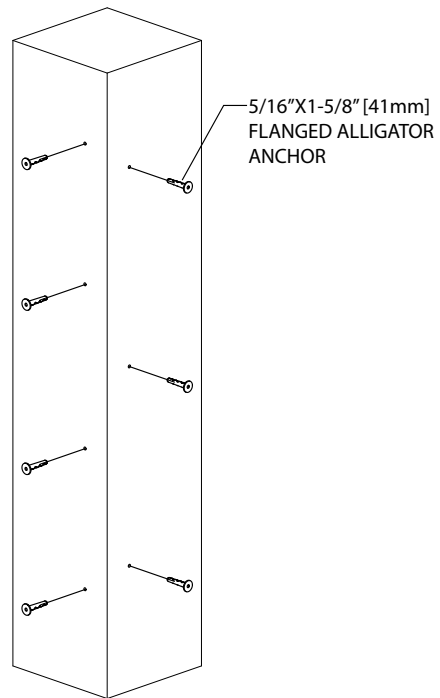


Fig.3



IPC.1609/REV.1

Installation Instructions

JOS-Crn090

Fig.4

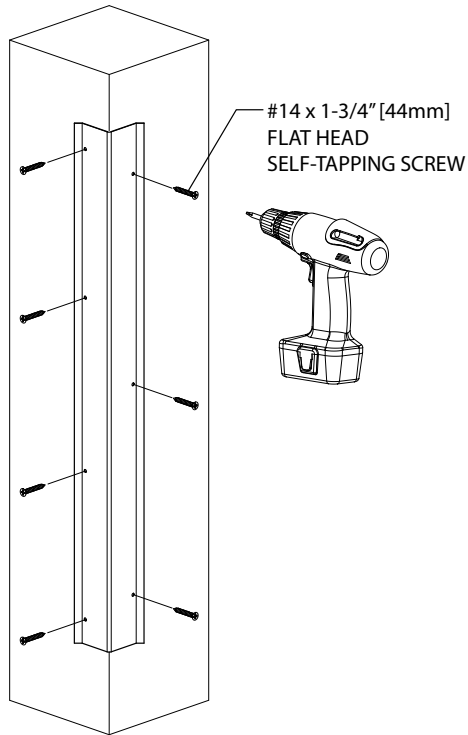


Figure 4

4. Return corner guard retainer to the proper position on the corner. Using supplied (JK182) #14 x 1-3/4" Flat Head self tapping fasteners (found in hardware pack JK182), secure the corner guard to the in place.

Figure 5

5. To install the high impact corner guard, hook the angled tab of one wing into the bent flange of the retainer clip. Stretch the non-hooked wing over the retainer clip, hooking the angled tab into the bent flange of the retainer clip.

Figure 6

6. Finished install

Fig.5

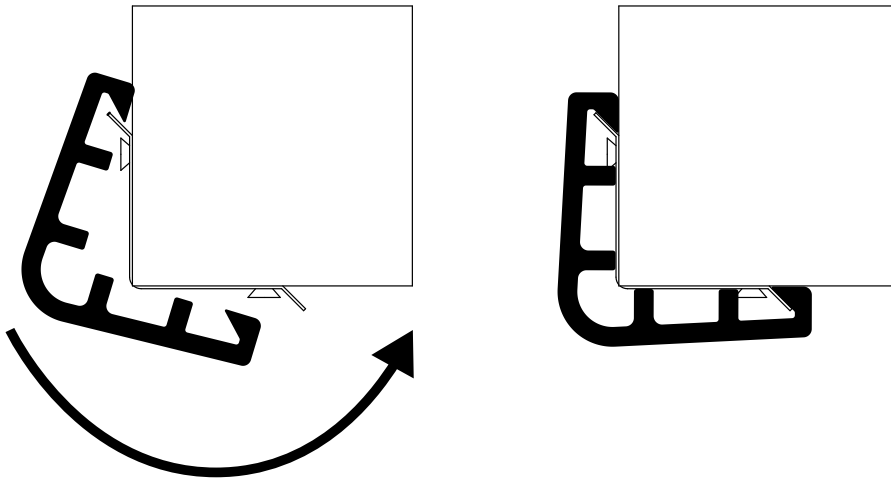


Fig.6

