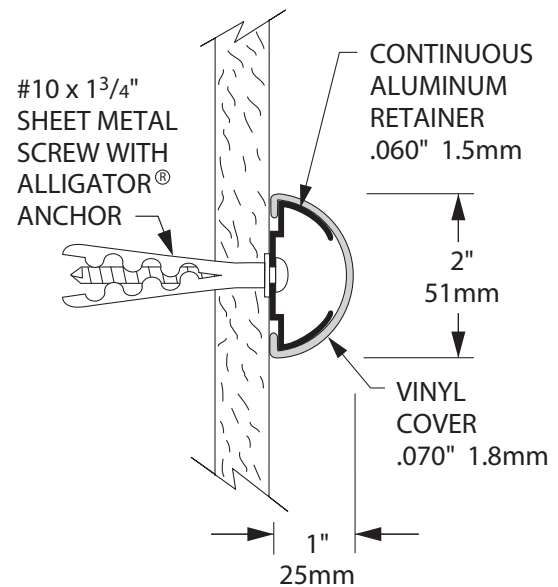


2500

Chair Rail



Product Details

- 2" (51mm) of wall protection, extends 1" (25mm) from wall
- Mounted on a sturdy .060" (1.5mm) thick, continuous aluminum retainer
- .070" (1.8mm) thick, durable, rigid vinyl cover
- Scratch and stain resistant woodgrain texture
- Easy installation, clean-up and maintenance
- Manufactured in 12' (3.66m) standard lengths
- All mounting fasteners are included with each order

Options

- Available in standard Inpro Solid Colors
- Available in select Inpro Woodgrains and Metallics*

*Reference Inpro Door + Wall Color Guide for More Information

Testing & Certifications

- UL-723 (ASTM E-84) Class A Classified
- Self Extinguishing: Tested in accordance with the procedures specified in ASTM D-635-74
- Impact Strength: Tested in accordance with the procedures specified in ASTM D-256
- Chemical & Stain Resistance: Tested in accordance with applicable provisions of ASTM D-543
- ASTM G-21 and ASTM G-22 Tested does not support fungal or bacterial growth.
- Meets UL GREENGUARD Gold low-VOC emission standards. UL GREENGUARD Gold Certification ensures that products are acceptable for use in places such as schools and healthcare facilities, and that they comply with CDPH Standards.



IPC.3678/REV.9