

807-A02-050/3

JOINT WIDTH		MOVEMENT ±			
		HORIZONTAL		VERTICAL	
US	mm	US	mm	US	mm
2"	51	1"	25	1"	25

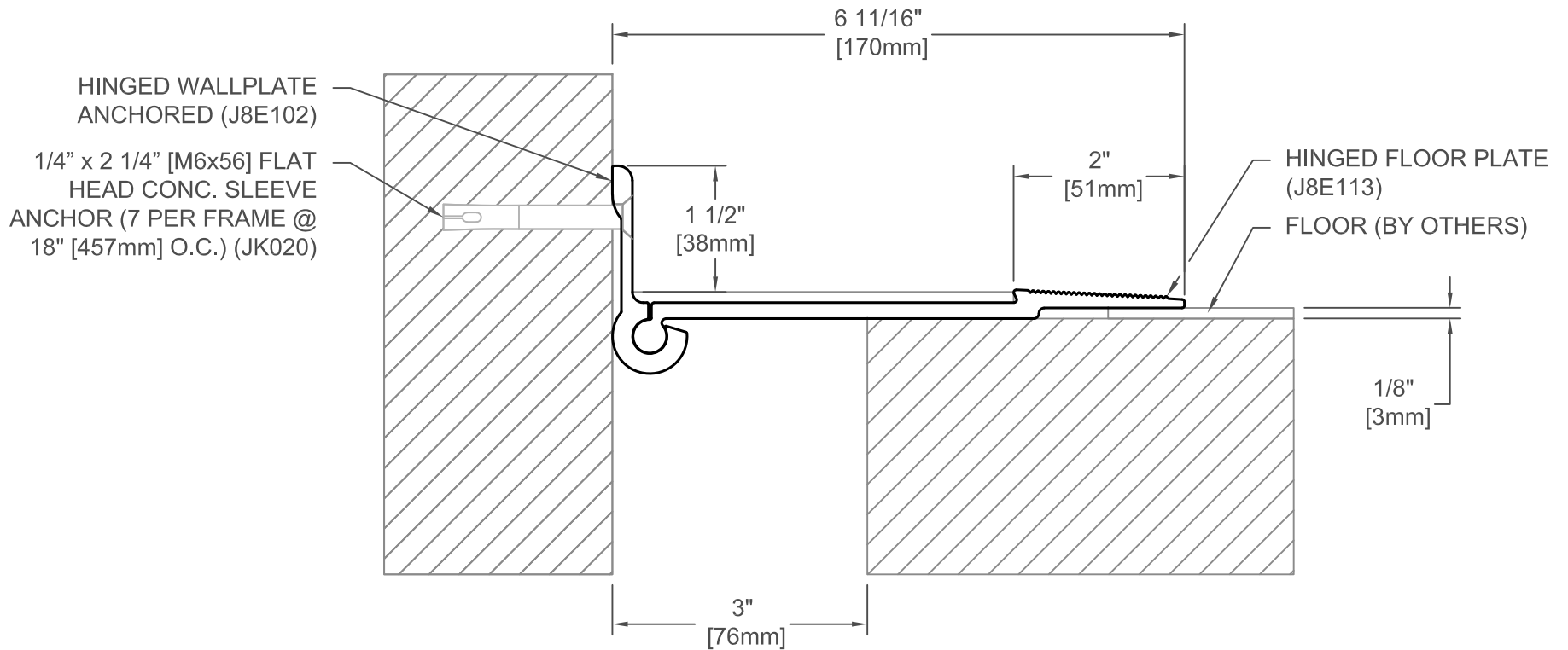
FINISH: MILL
PROJECT:
CUSTOMER:
LOCATION:

APPLICATION-
FLOOR/WALL CONDITION
FOR 1/8" FLOORING

DATE:	12-14-11
SCALE:	1:2
DOC:	CADJM.053/R2



For More Information Visit: Inprocorp.com



807-A02-075/3

JOINT WIDTH		MOVEMENT ±			
		HORIZONTAL		VERTICAL	
US	mm	US	mm	US	mm
3"	102	1 1/2"	38	1"	25

FINISH: MILL

PROJECT:

CUSTOMER:

LOCATION:

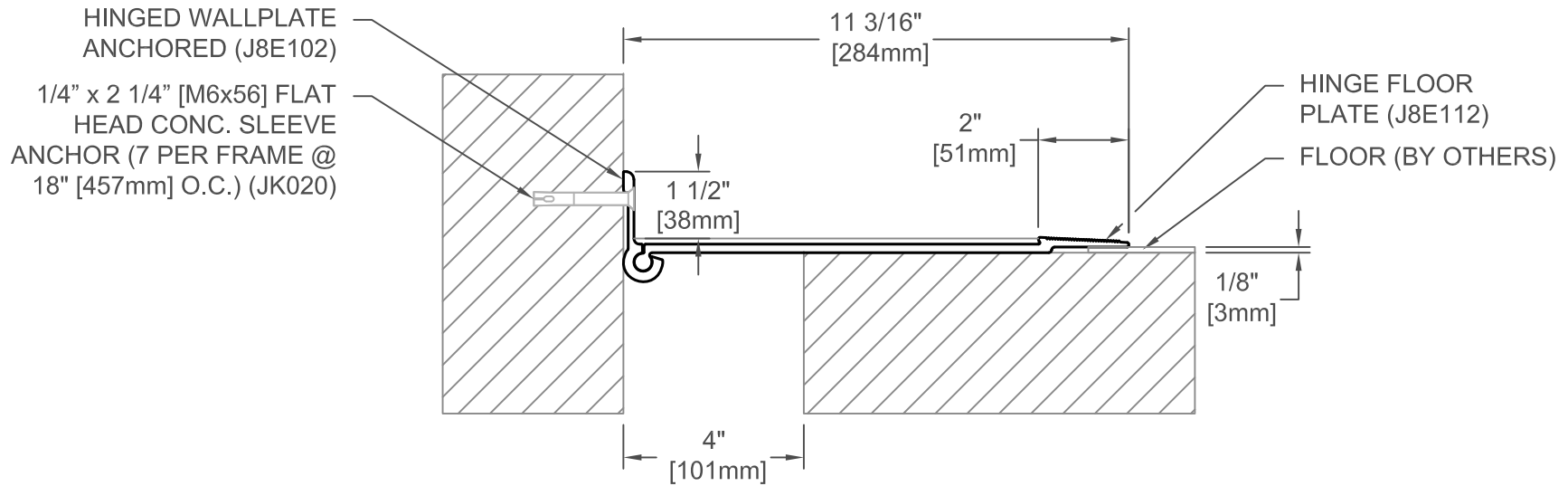
APPLICATION-
FLOOR/WALL CONDITION
FOR 1/8" FLOORING

DATE: 12-14-11

SCALE: 1:2

DOC: CADJM.053/R2

inpro.
For More Information Visit: Inprocorp.com



807-A02-100/3

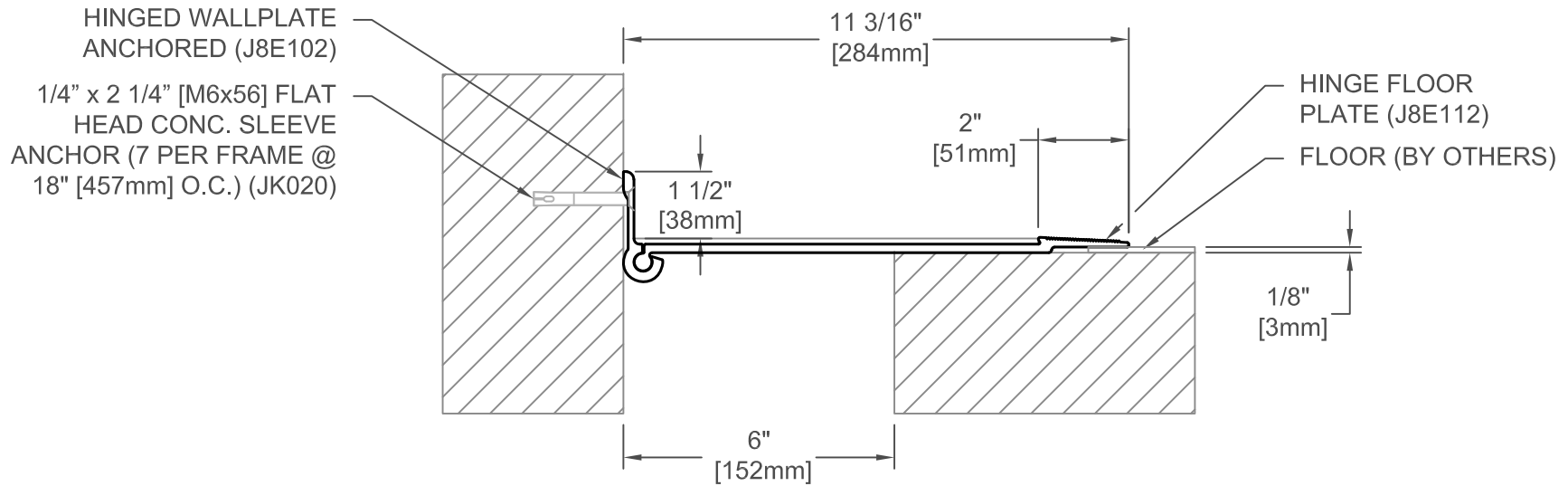
JOINT WIDTH		MOVEMENT ±			
		HORIZONTAL		VERTICAL	
US	mm	US	mm	US	mm
4"	102	2"	51	1"	25

FINISH: MILL
PROJECT:
CUSTOMER:
LOCATION:

APPLICATION-
FLOOR/WALL CONDITION
FOR 1/8" FLOORING

DATE:	12-14-11
SCALE:	1:4
DOC:	CADJM.053/R2

inpro.
For More Information Visit: Inprocorp.com



807-A02-150/3

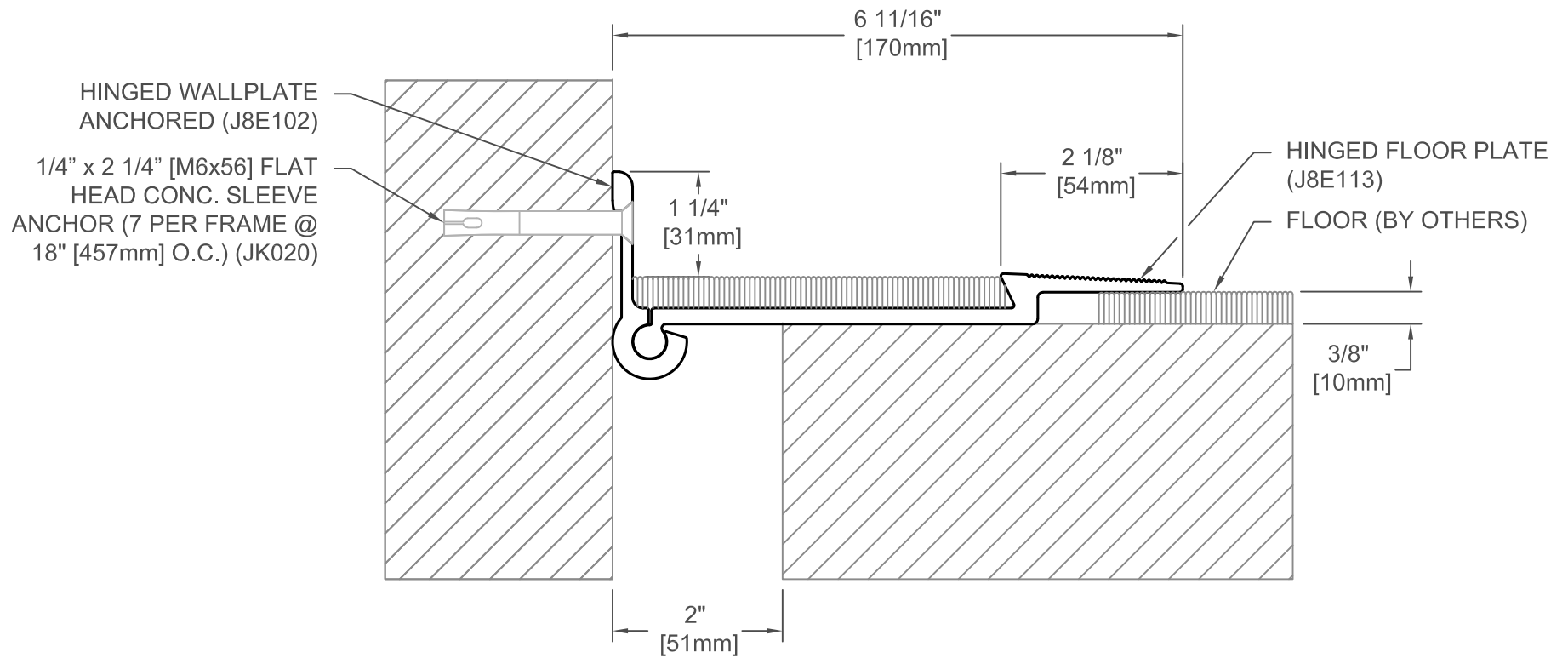
JOINT WIDTH		MOVEMENT ±			
		HORIZONTAL		VERTICAL	
US	mm	US	mm	US	mm
6"	152	3"	76	1"	25

FINISH: MILL
PROJECT:
CUSTOMER:
LOCATION:

APPLICATION-
FLOOR/WALL CONDITION
FOR 1/8" FLOORING

DATE:	12-14-11
SCALE:	1:4
DOC:	CADJM.053/R2

inpro.
For More Information Visit: Inprocorp.com



807-A02-050/10

JOINT WIDTH		MOVEMENT ±			
		HORIZONTAL		VERTICAL	
US	mm	US	mm	US	mm
2"	51	1"	25	1"	25

FINISH: MILL

PROJECT:

CUSTOMER:

LOCATION:

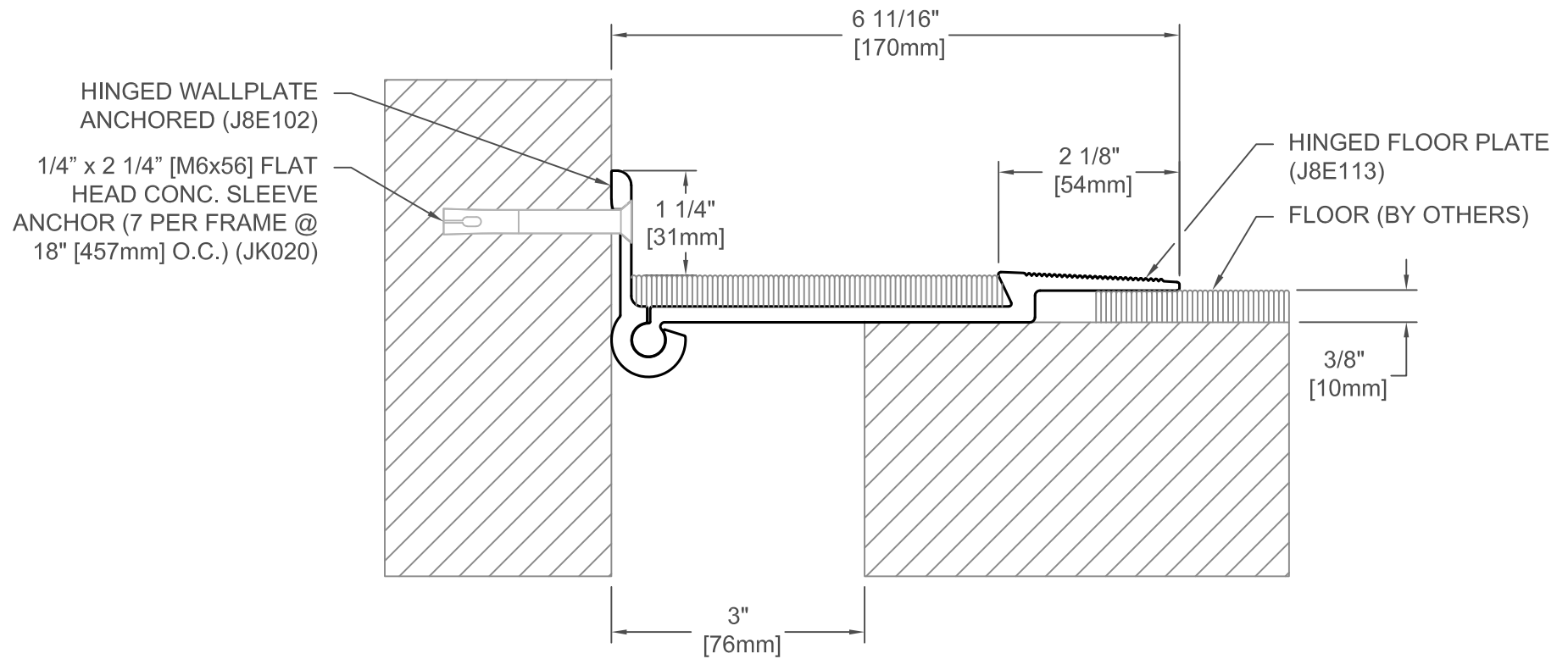
APPLICATION-
FLOOR/WALL CONDITION
FOR 3/8" FLOORING

DATE: 12-14-11

SCALE: 1:2

DOC: CADJM.053/R2

inpro.
For More Information Visit: Inprocorp.com



807-A02-075/10

JOINT WIDTH		MOVEMENT ±			
		HORIZONTAL		VERTICAL	
US	mm	US	mm	US	mm
3"	102	1 1/2"	38	1"	25

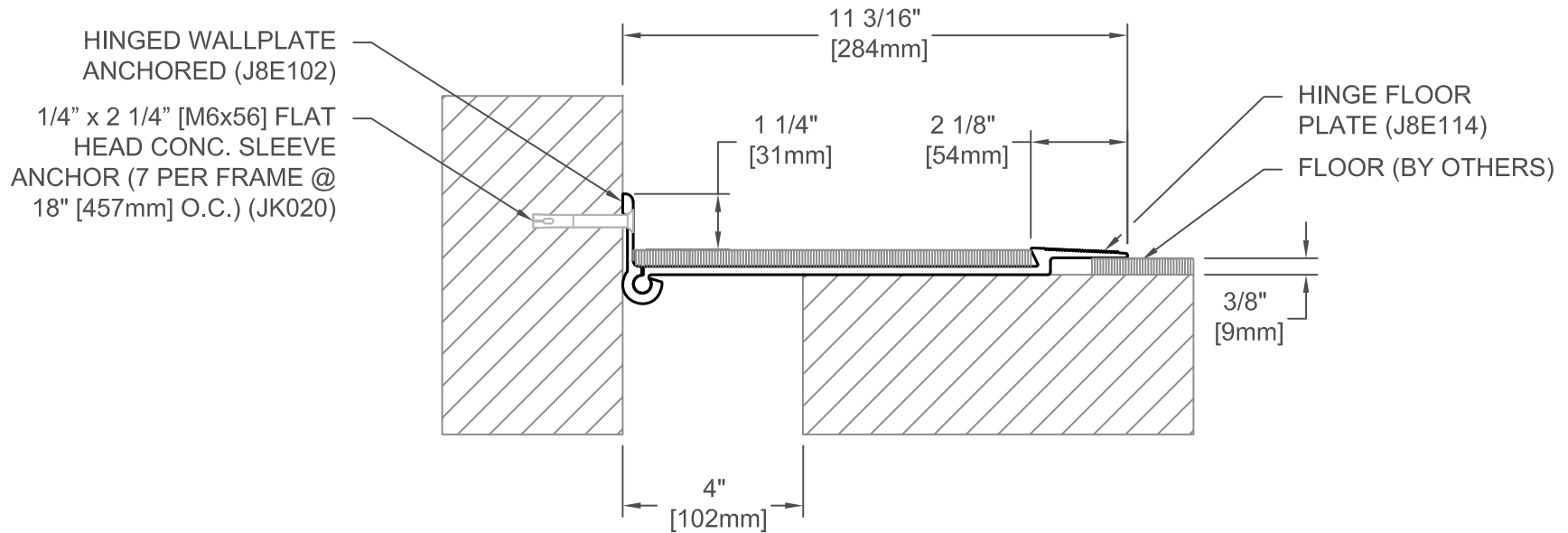
FINISH: MILL
PROJECT:
CUSTOMER:
LOCATION:

APPLICATION-
FLOOR/WALL CONDITION
FOR 3/8" FLOORING

DATE:	12-14-11
SCALE:	1:2
DOC:	CADJM.053/R2



For More Information Visit: Inprocorp.com



807-A02-100/10

JOINT WIDTH		MOVEMENT ±			
		HORIZONTAL		VERTICAL	
US	mm	US	mm	US	mm
4"	102	2"	51	1"	25

FINISH: MILL

PROJECT:

CUSTOMER:

LOCATION:

APPLICATION-
FLOOR/WALL CONDITION
FOR 3/8" FLOORING

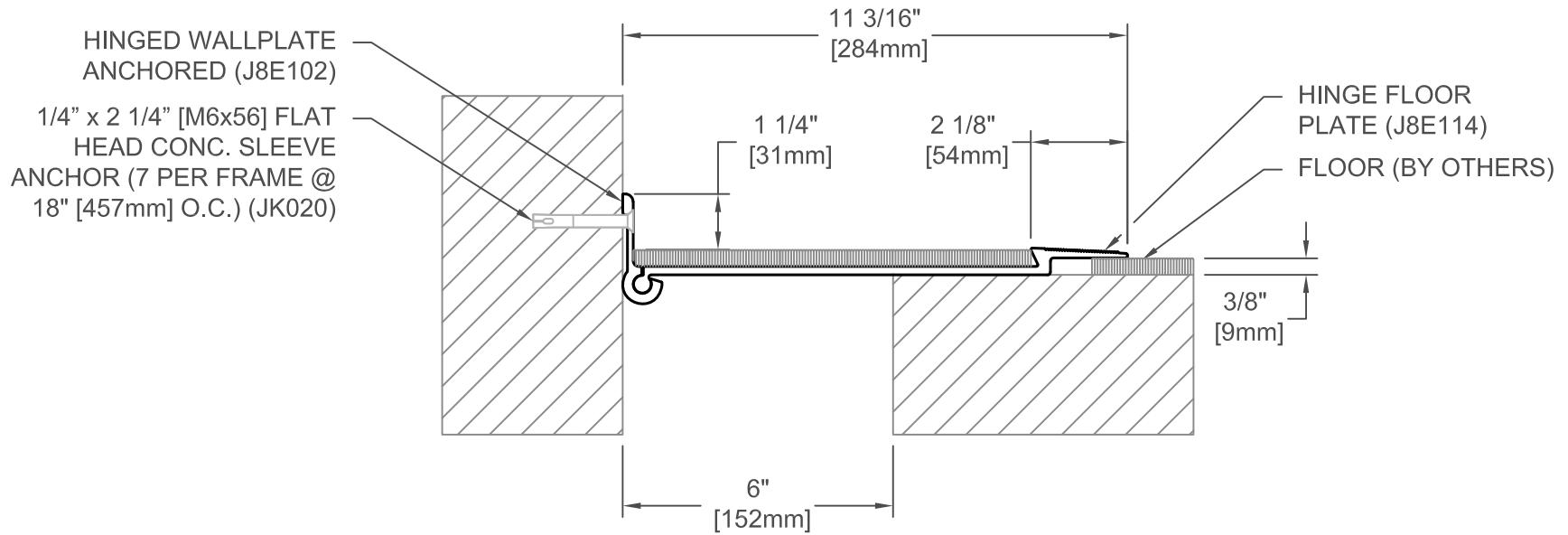
DATE: 12-14-11

SCALE: 1:4

DOC: CADJM.053/R2

inpro.[®]

For More Information Visit: Inprocorp.com



807-A02-150/10

JOINT WIDTH		MOVEMENT ±			
		HORIZONTAL		VERTICAL	
US	mm	US	mm	US	mm
6"	152	3"	76	1"	25

FINISH: MILL

PROJECT:

CUSTOMER:

LOCATION:

APPLICATION-
FLOOR/WALL CONDITION
FOR 3/8" FLOORING

DATE: 12-14-11

SCALE: 1:4

DOC: CADJM.053/R2

inpro.[®]

For More Information Visit: Inprocorp.com