

807-A01-050/3

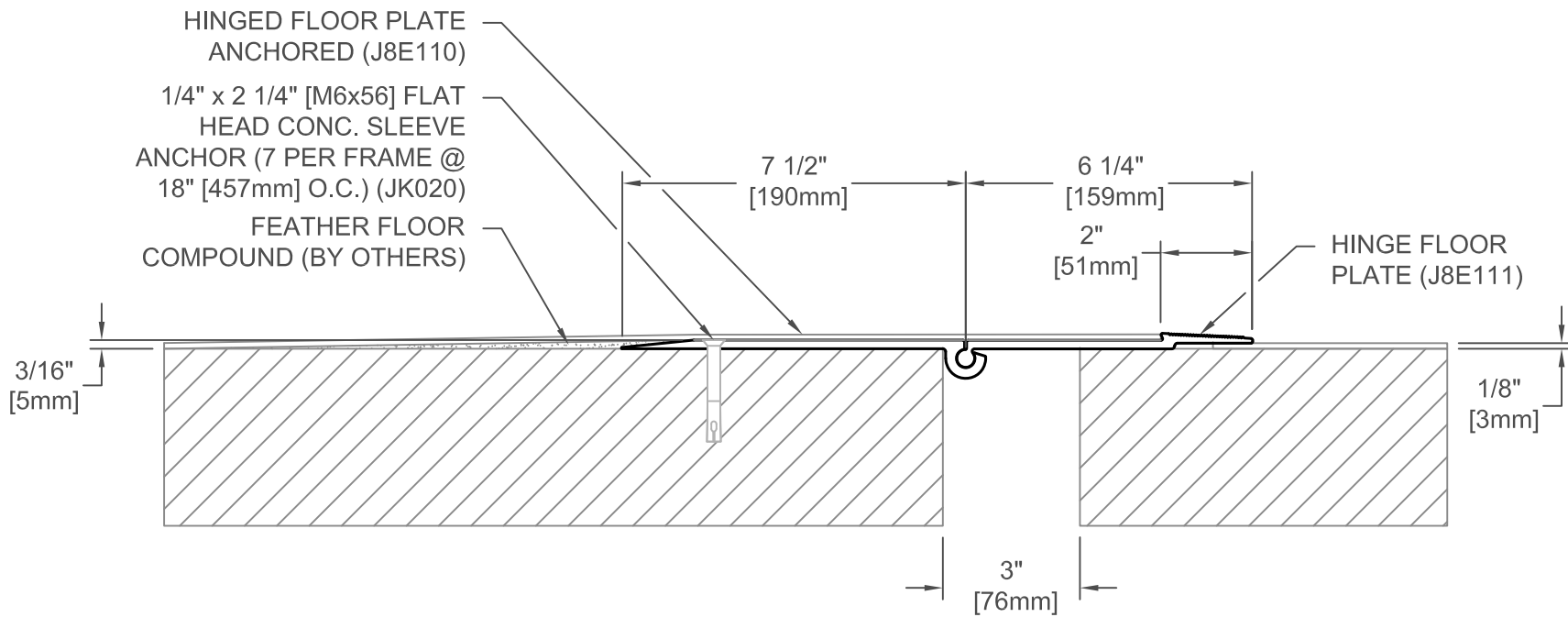
JOINT WIDTH		MOVEMENT ±			
		HORIZONTAL		VERTICAL	
US	mm	US	mm	US	mm
2"	102	1"	25	1"	25

FINISH: MILL
PROJECT:
CUSTOMER:
LOCATION:

APPLICATION-
FLOOR/FLOOR CONDITION
FOR 1/8" FLOORING

DATE:	12-6-11
SCALE:	1:4
DOC:	CADJM.052/R4





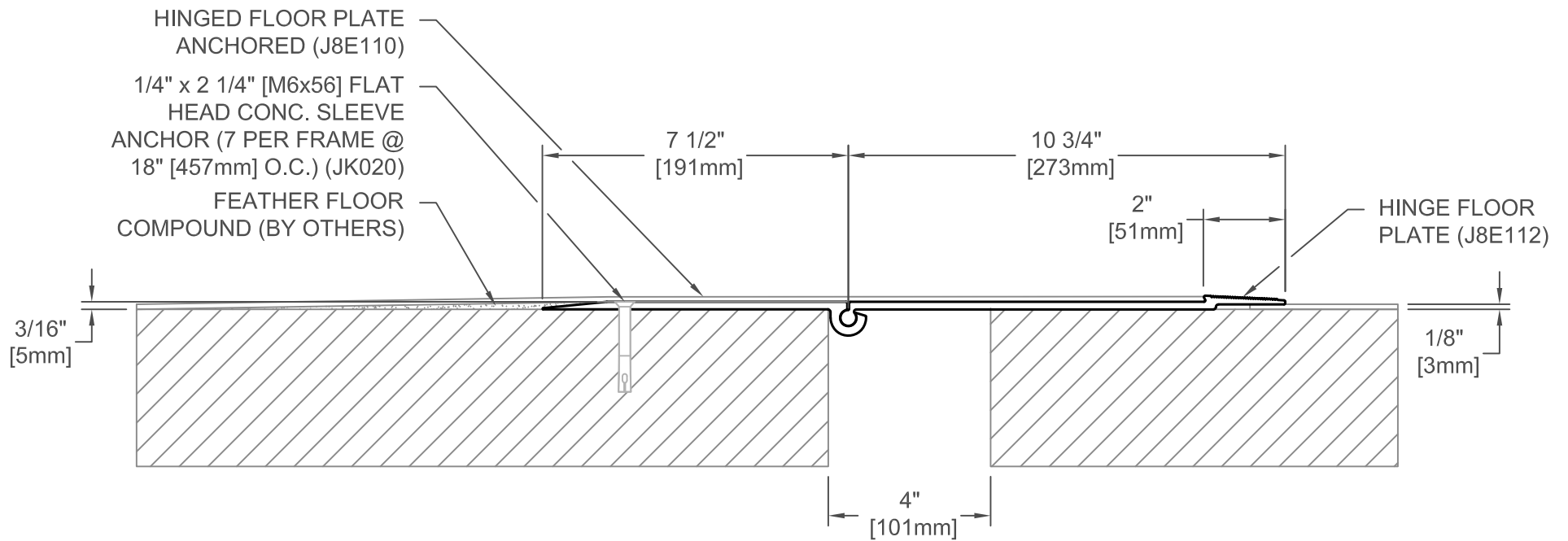
807-A01-075/3

JOINT WIDTH		MOVEMENT ±			
		HORIZONTAL		VERTICAL	
US	mm	US	mm	US	mm
3"	102	1 1/2"	38	1"	25

FINISH: MILL
PROJECT:
CUSTOMER:
LOCATION:

APPLICATION-
FLOOR/FLOOR CONDITION
FOR 1/8" FLOORING

DATE:	12-6-11
SCALE:	1:4
DOC:	CADJM.052/R4



807-A01-100/3

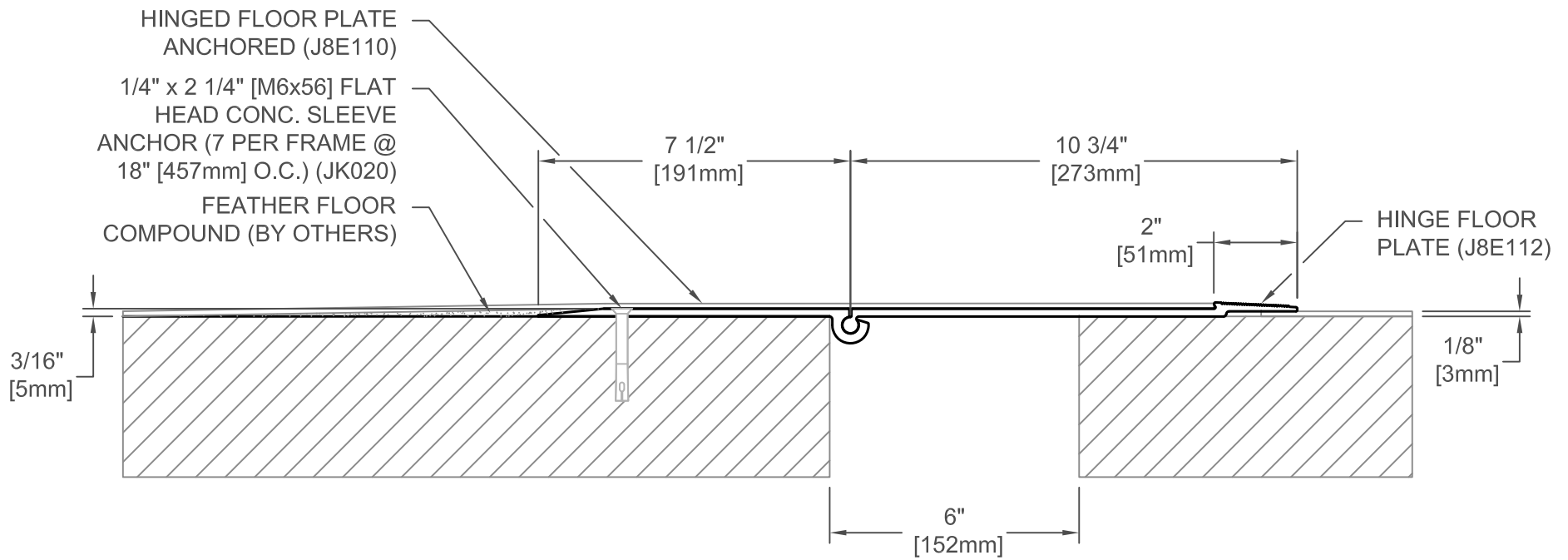
JOINT WIDTH		MOVEMENT ±			
		HORIZONTAL		VERTICAL	
US	mm	US	mm	US	mm
4"	101	2"	51	1"	25

FINISH: MILL
PROJECT:
CUSTOMER:
LOCATION:

APPLICATION-
FLOOR/FLOOR CONDITION
FOR 1/8" FLOORING

DATE:	12-6-11
SCALE:	1:4
DOC:	CADJM.052/R4

inpro.
For More Information Visit: Inprocorp.com



807-A01-150/3

JOINT WIDTH		MOVEMENT ±			
		HORIZONTAL		VERTICAL	
US	mm	US	mm	US	mm
6"	152	3"	76	1"	25

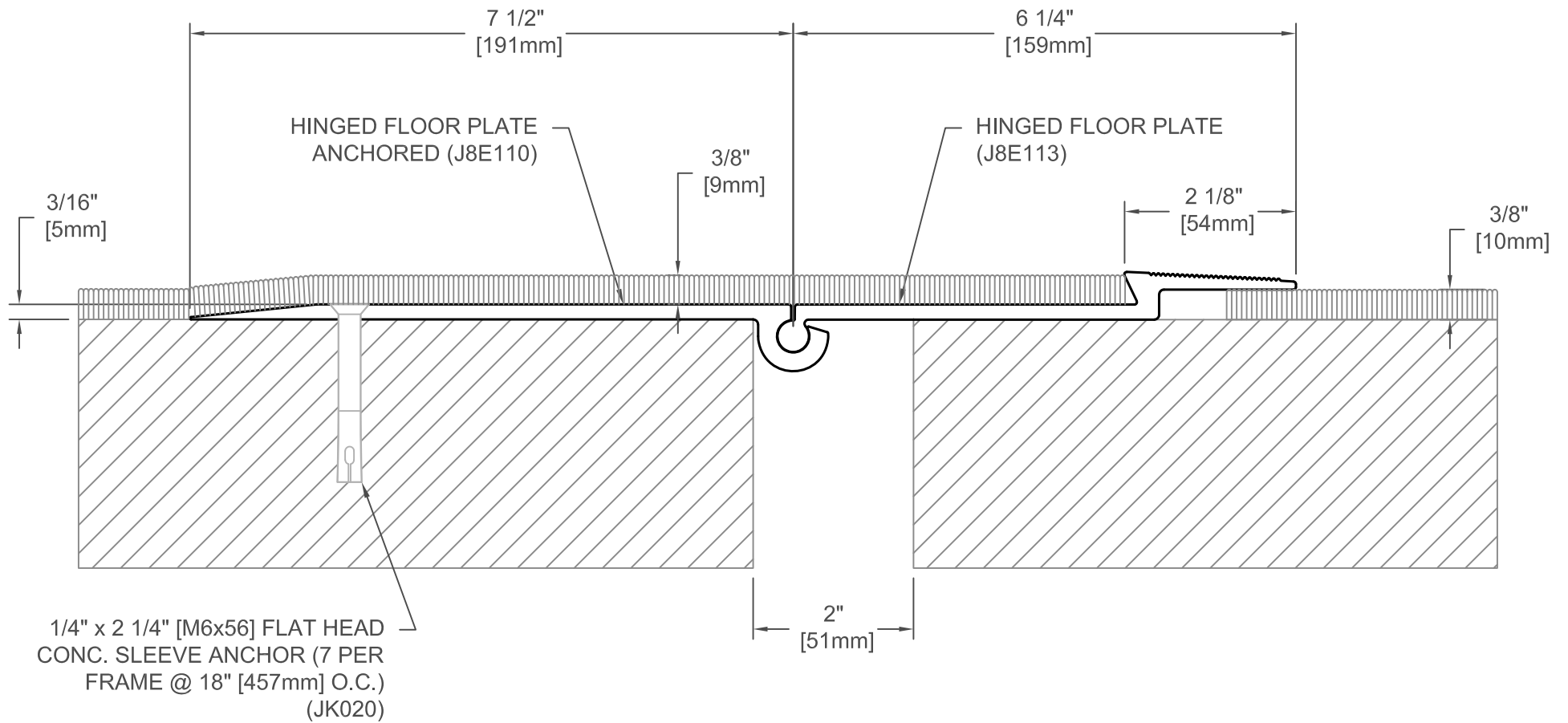
FINISH: MILL
PROJECT:
CUSTOMER:
LOCATION:

APPLICATION-
 FLOOR/FLOOR CONDITION
 FOR 1/8" FLOORING

DATE:	12-6-11
SCALE:	1:4
DOC:	CADJM.052/R4



For More Information Visit: Inprocorp.com



807-A01-050/10

JOINT WIDTH		MOVEMENT ±			
		HORIZONTAL		VERTICAL	
US	mm	US	mm	US	mm
2"	51	1"	25	1"	25

FINISH: MILL

PROJECT:

CUSTOMER:

LOCATION:

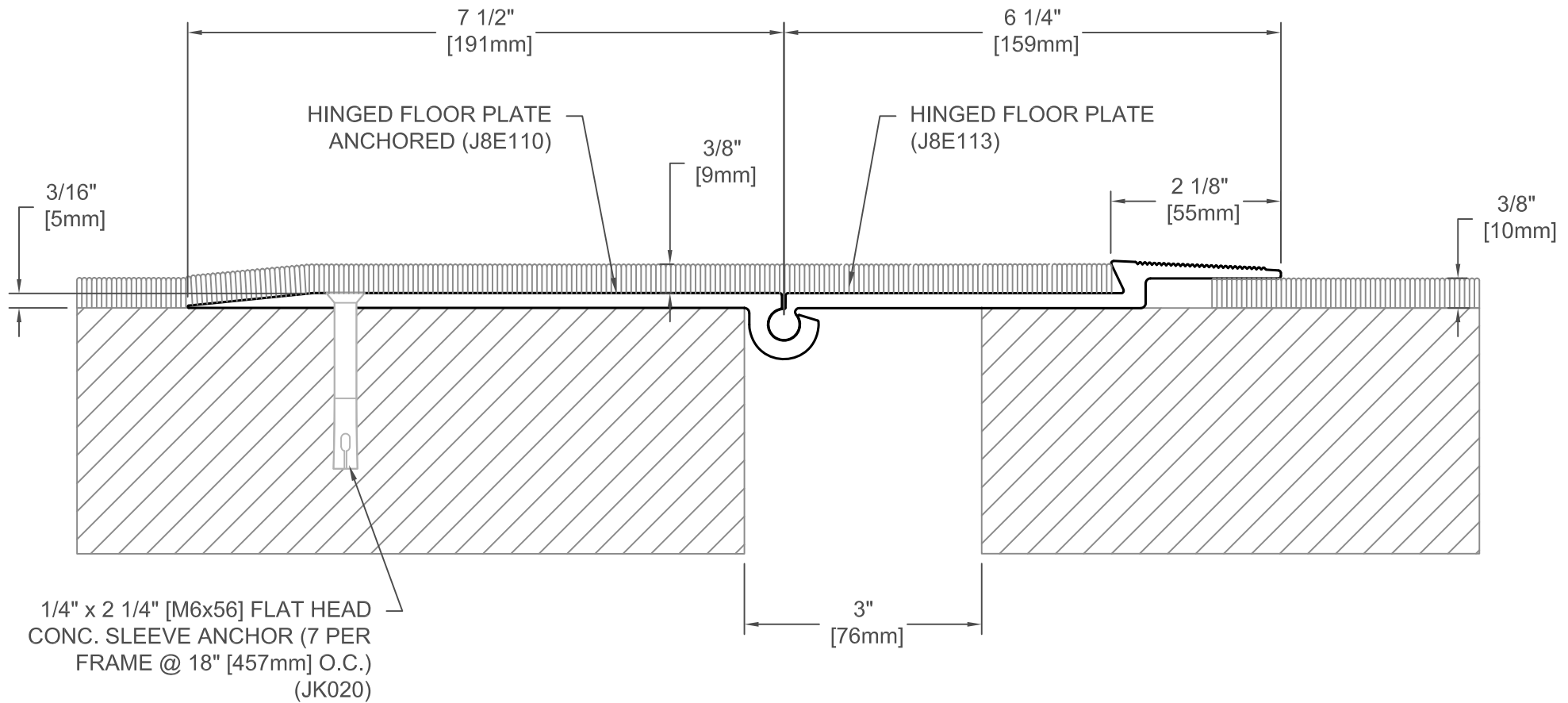
APPLICATION-
FLOOR/FLOOR CONDITION
FOR 3/8" FLOORING

DATE: 11-9-09

SCALE: 1:2

DOC: CADJM.052/R4

inpro.
For More Information Visit: Inprocorp.com



807-A01-075/10

JOINT WIDTH		MOVEMENT ±			
		HORIZONTAL		VERTICAL	
US	mm	US	mm	US	mm
3"	102	1 1/2"	38	1"	25

FINISH: MILL

PROJECT:

CUSTOMER:

LOCATION:

APPLICATION-
FLOOR/FLOOR CONDITION
FOR 3/8" FLOORING

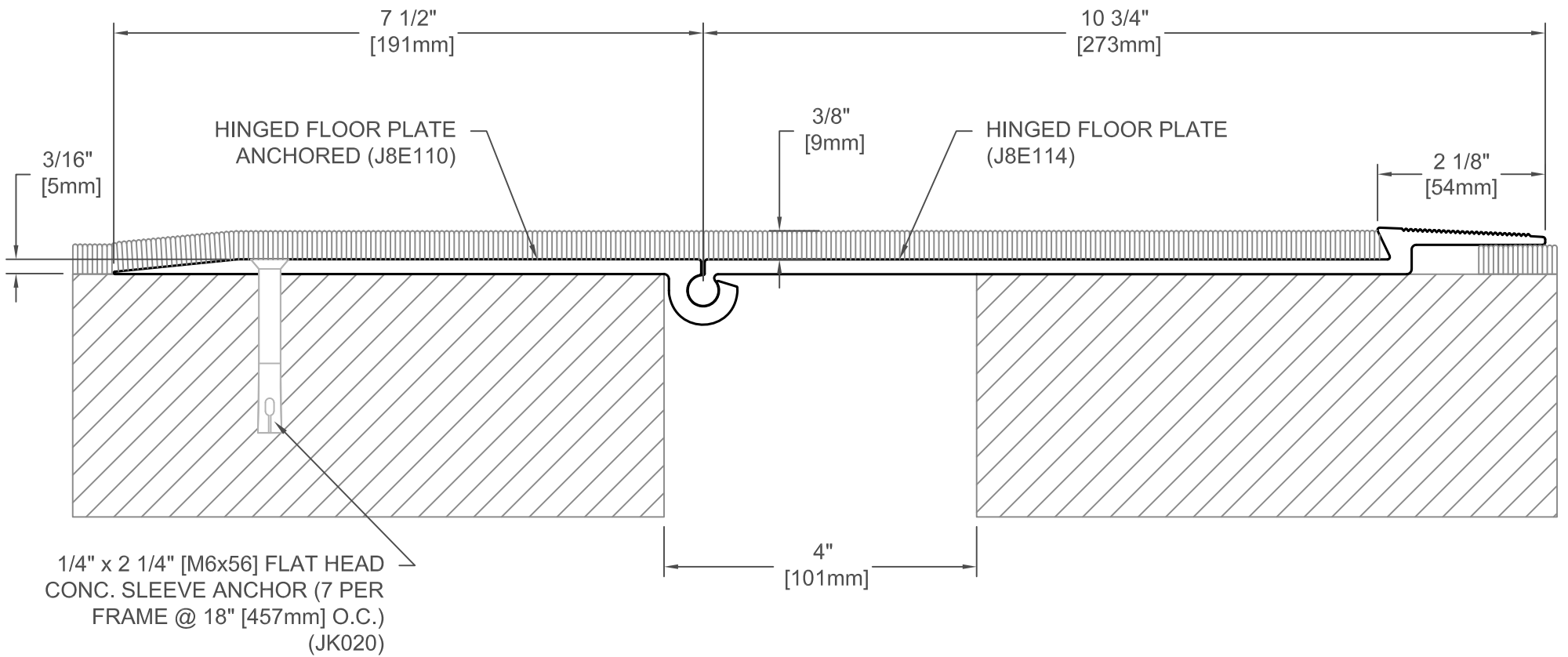
DATE: 11-9-09

SCALE: 1:2

DOC: CADJM.052/R4

inpro.

For More Information Visit: Inprocorp.com



807-A01-100/10

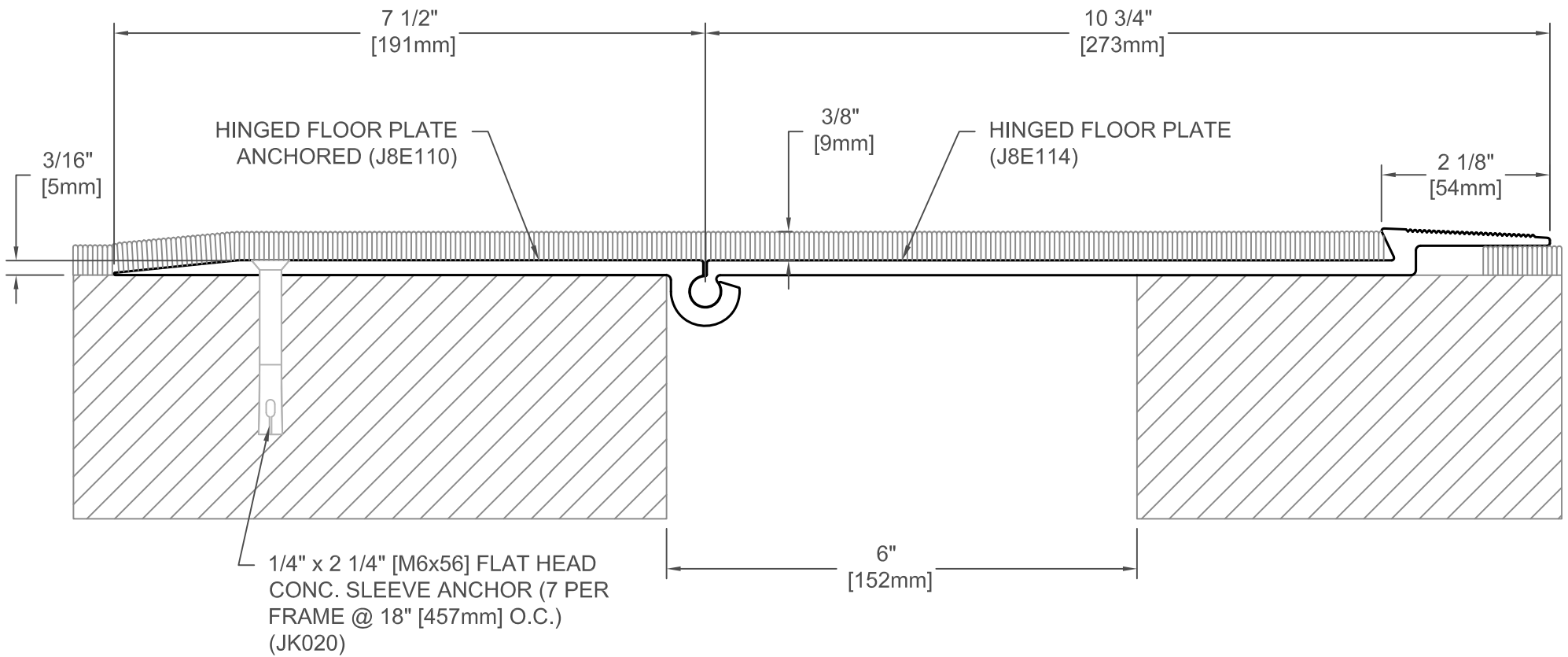
JOINT WIDTH		MOVEMENT ±			
		HORIZONTAL		VERTICAL	
US	mm	US	mm	US	mm
4"	101	2"	51	1"	25

FINISH: MILL
PROJECT:
CUSTOMER:
LOCATION:

APPLICATION-
FLOOR/FLOOR CONDITION
FOR 3/8" FLOORING

DATE:	11-9-09
SCALE:	1:2
DOC:	CADJM.052/R4

inpro.
For More Information Visit: Inprocorp.com



807-A01-150/10

JOINT WIDTH		MOVEMENT ±			
		HORIZONTAL		VERTICAL	
US	mm	US	mm	US	mm
6"	152	3"	76	1"	25

FINISH: MILL

PROJECT:

CUSTOMER:

LOCATION:

APPLICATION-
FLOOR/FLOOR CONDITION
FOR 3/8" FLOORING

DATE: 11-9-09

SCALE: 1:2

DOC: CADJM.052/R4

inpro.
For More Information Visit: Inprocorp.com