

Installation Instructions

Joint System: 802-A01

Note: Verify that the structural gap is in conformance with submittal data before beginning installation. If this is a Fire Rated Assembly, install the fire barrier before the Architectural Joint System. Refer to the fire barrier instructions for specific system installation.

FIG. 1 (802-A01 FLOOR TO FLOOR SHOWN)

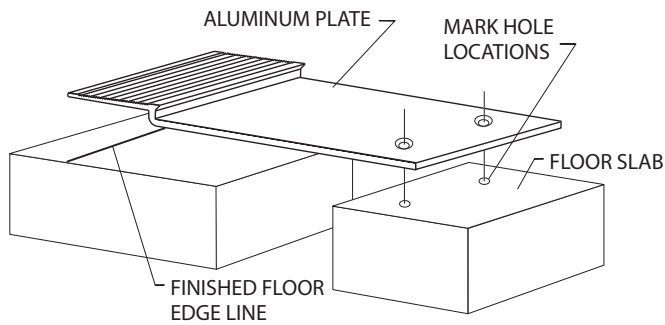


FIG. 2

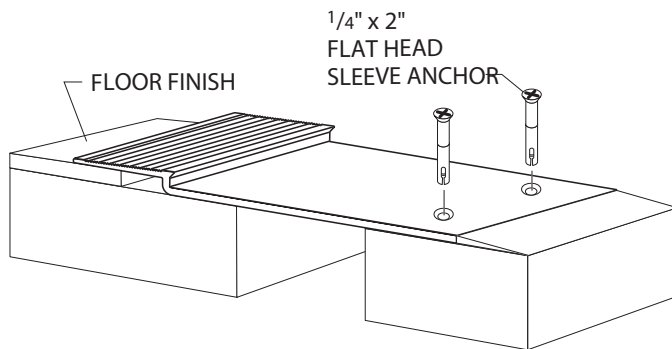
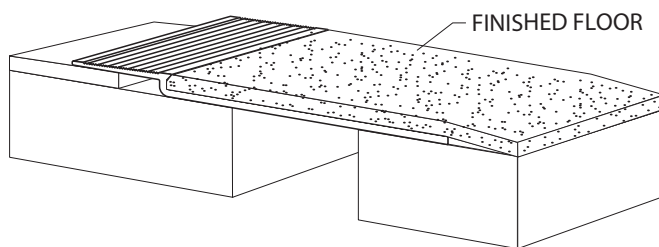


FIG. 3 (802-A01 COMPLETED INSTALLATION)



1. Install the architectural joint system on a level floor slab. This may require adding leveling compound on top of the substrate to provide a smooth mounting surface.

Figure 1

2. Cut the aluminum plates to the desired length.
3. Center the plates over the structural gap, keeping the predrilled mounting holes on the same side of the structural gap.
4. Mark the pre-drilled hole locations on the substrate. With the plate in place, mark a line on the slab at the edge of the lip. Remove the plates.
5. Measure 3/4" (19mm) back from the line on the slab (towards the structural gap) and mark the line to indicate the finished floor edge.

Figure 2

6. Install the finished flooring to the edge of the line.

Drill all marked holes on the substrate using a 1/4" (6 mm) drill bit and drill 2" (51mm) deep.

7. Return the plates in position over the drilled hole locations and secure in place with 1/4" x 2" flat head concrete sleeve anchors.

OPTIONAL - Using high strength non-shrink grout (installer furnished), feather area adjacent to plate edge to minimize transition.

Figure 3

9. Install and adhere finished flooring to the top of the plate.
10. Clean the exposed surfaces with a non-solvent cleaner, such as 409, as required.

IPC.880/REV.2

JOINTMASTER® Expansion Joint Systems

inpro.com • 800.222.5556 • 262.679.9010

World Headquarters S80 W18766 Apollo Drive, Muskego, WI 53150 USA

Installation Hotline: 866.394.6776

inpro®