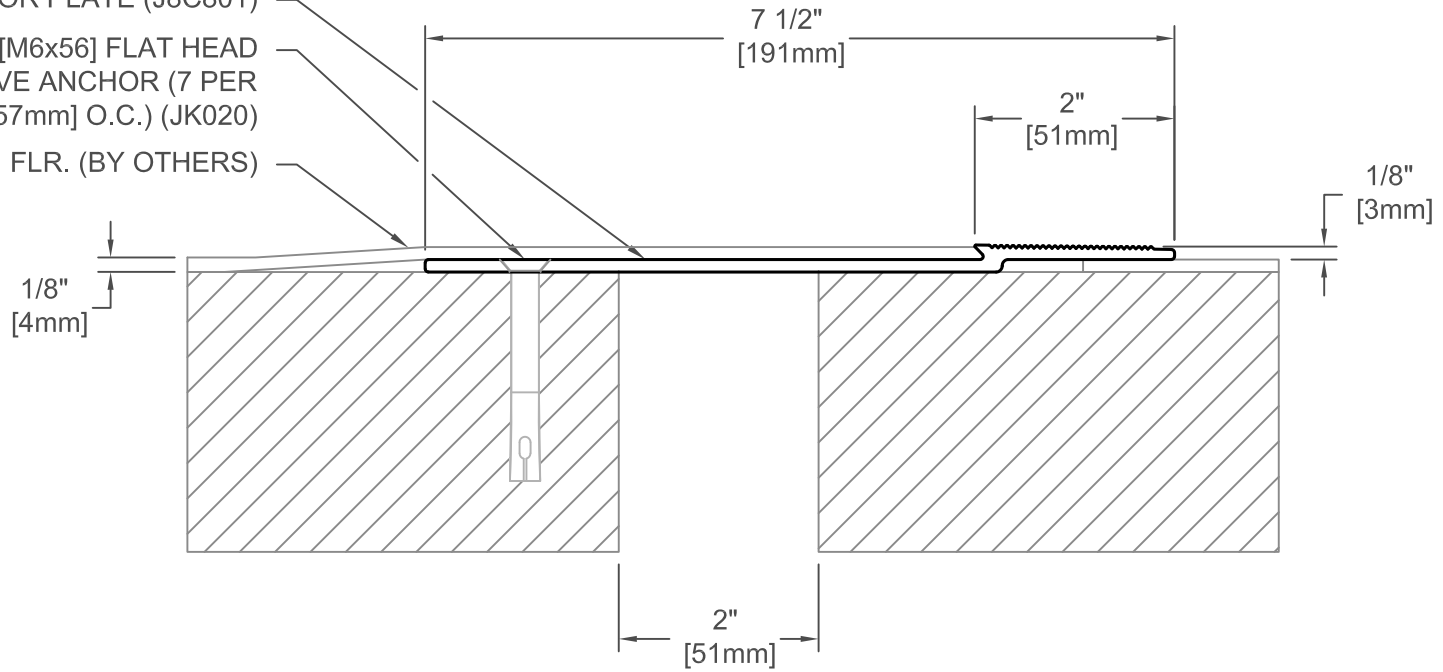


CONT. ALUM. FLOOR PLATE (J8C801)
 1/4" x 2 1/4" [M6x56] FLAT HEAD
 CONC. SLEEVE ANCHOR (7 PER
 FRAME @ 18" [457mm] O.C.) (JK020)
 FIN. FLR. (BY OTHERS)



802-A01-050/3

JOINT WIDTH		MOVEMENT ±			
		HORIZONTAL		VERTICAL	
US	mm	US	mm	US	mm
2"	51	1/2"	13	--	--

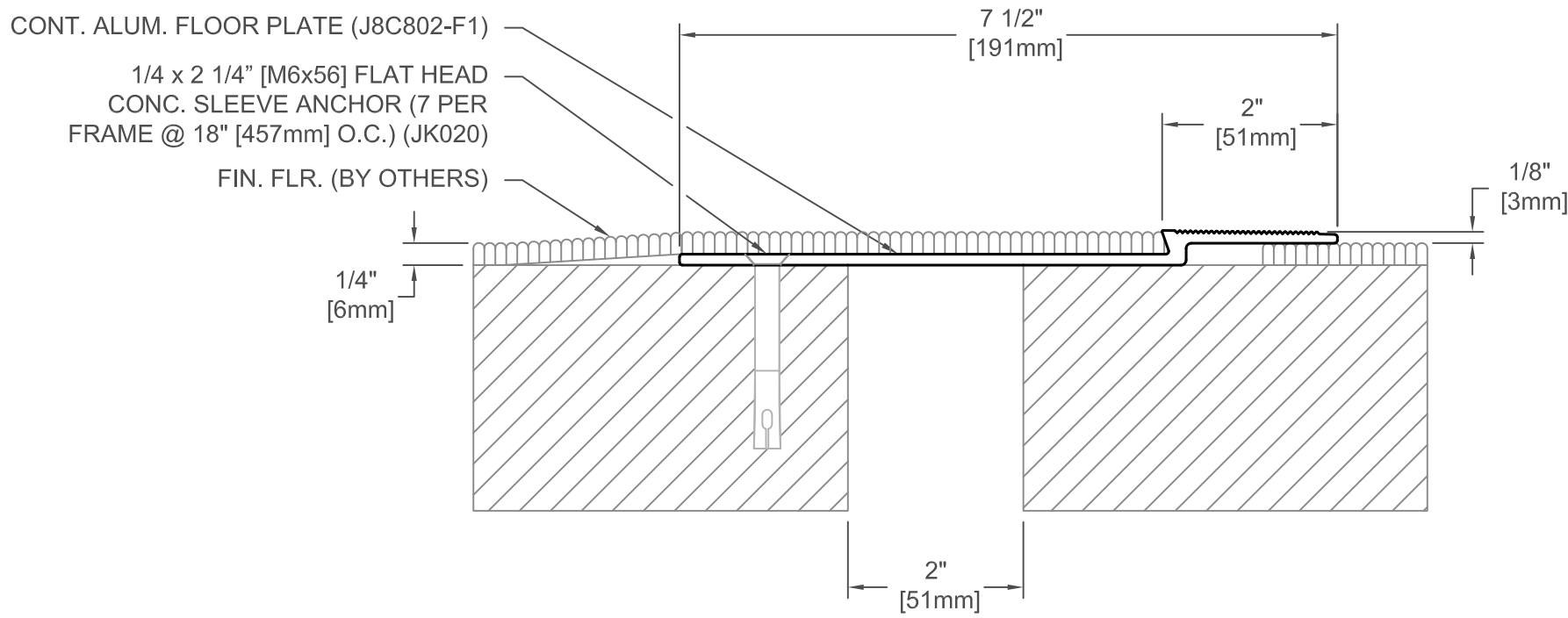
FINISH: MILL
PROJECT:
CUSTOMER:
LOCATION:

APPLICATION-
 FLOOR/FLOOR COVER PLATE
 FOR VCT CONDITION

DATE:	4-30-08
SCALE:	1:2
DOC:	CADJM.051/R3



For More Information Visit: Inprocorp.com



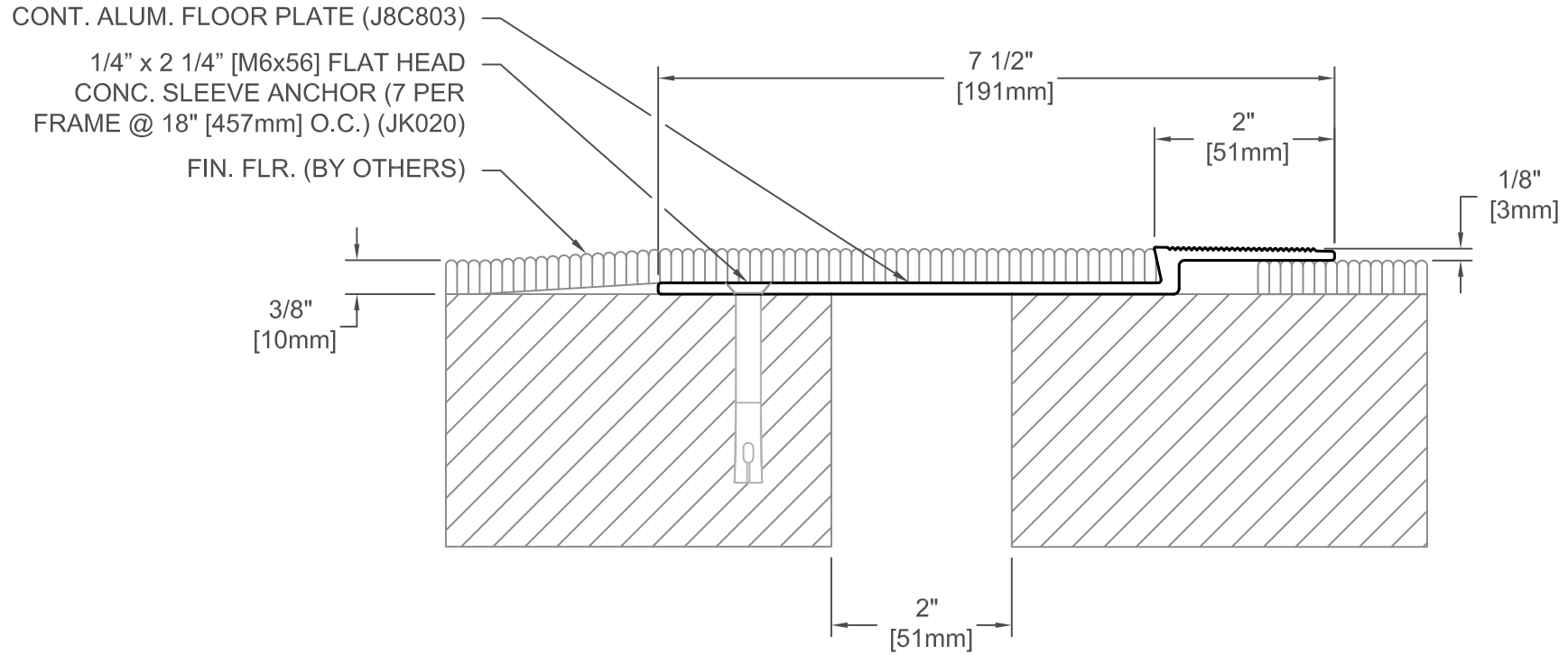
802-A01-050/6

JOINT WIDTH		MOVEMENT ±			
		HORIZONTAL		VERTICAL	
US	mm	US	mm	US	mm
2"	51	1/2"	13	--	--

FINISH: MILL
PROJECT:
CUSTOMER:
LOCATION:

APPLICATION-
FLOOR/FLOOR COVER PLATE
FOR VCT CONDITION

DATE:	4-30-08
SCALE:	1:2
DOC:	CADJM.051/R3



802-A01-050/10

JOINT WIDTH		MOVEMENT ±			
		HORIZONTAL		VERTICAL	
US	mm	US	mm	US	mm
2"	51	1/2"	13	--	--

FINISH: MILL

PROJECT:

CUSTOMER:

LOCATION:

APPLICATION-
FLOOR/FLOOR COVER PLATE
FOR VCT CONDITION

DATE: 4-30-08

SCALE: 1:2

DOC: CADJM.051/R3

inpro.

For More Information Visit: Inprocorp.com