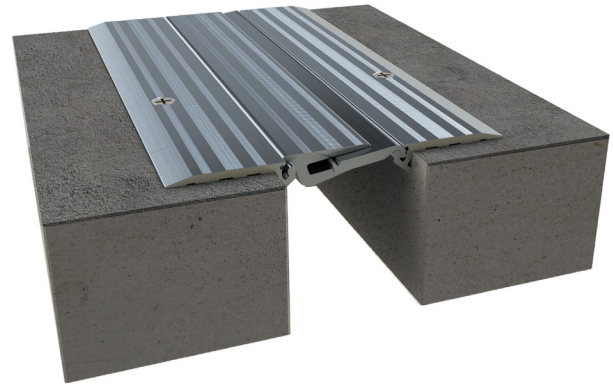


734 Series

A01 - Floor to Floor

A02 - Floor to Wall



Movement: 18%

Product Guide



Thermal



Interior



Heavy
Duty



ADA
Compliant

- ▶ Ideal for high frequency pedestrian traffic and frequent heavy rolling loads commonly encountered in airports, convention centers, subways and hospitals projects.
- ▶ Applies to joints of 2" - 5" [50mm - 125mm]
- ▶ Tapered frames are suitable for rolling loads.
- ▶ Surface mount option allows for use in new and retrofit projects.
- ▶ Serrated surface provides excellent slip resistance.
- ▶ Integral microseal eliminates noise while blocks debris and liquids from entering mechanism.
- ▶ Exceptional $\pm 18\%$ thermal movement.

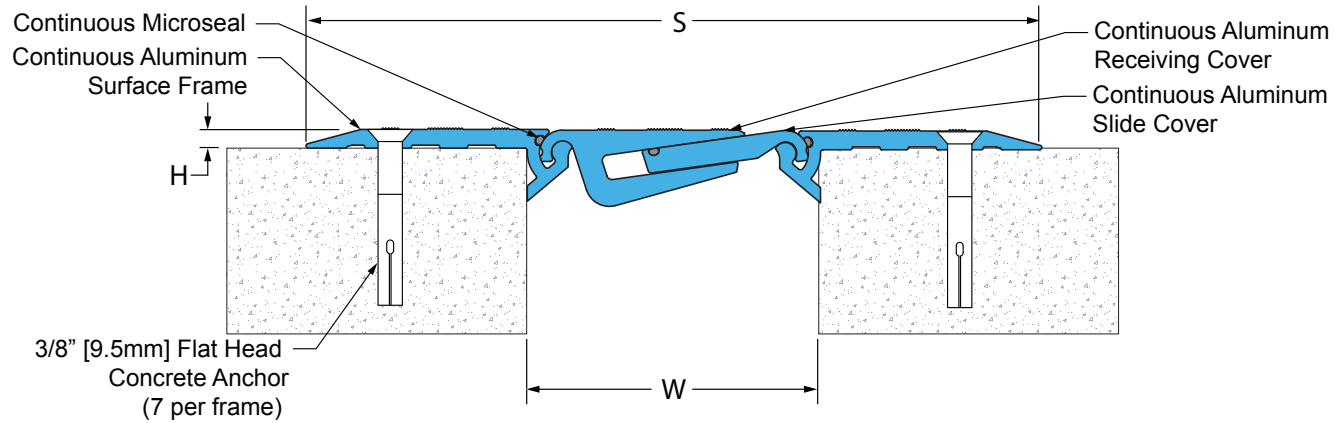
Application	System	W		H		H1		S		Movement +/-			
		Joint Width		Frame Height		Frame Height		Sightline		Horizontal		Vertical	
		US	mm	US	mm	US	mm	US	mm	US	mm	US	mm
Floor to Floor	734-A01-050	2"	50	1/4"	6	*	*	8"	203	3/16"	5	3/16"	5
	734-A01-075	3"	75	1/4"	6	*	*	9"	229	1/2"	12	1/2"	12
	734-A01-100	4"	102	1/4"	6	*	*	10"	250	3/4"	20	3/4"	20
	734-A01-125	5"	125	1/4"	6	*	*	11"	279	1"	25	1"	25
Floor to Wall	734-A02-050	2"	50	1/4"	6	1 1/2"	35	5"	128	3/16"	5	3/16"	5
	734-A02-075	3"	75	1/4"	6	1 1/2"	35	6"	154	1/2"	12	1/2"	12
	734-A02-100	4"	102	1/4"	6	1 1/2"	35	7"	178	3/4"	20	3/4"	20
	734-A02-125	5"	105	1/4"	6	1 1/2"	35	8"	203	1"	25	1"	25

IPC.3049/REV.3

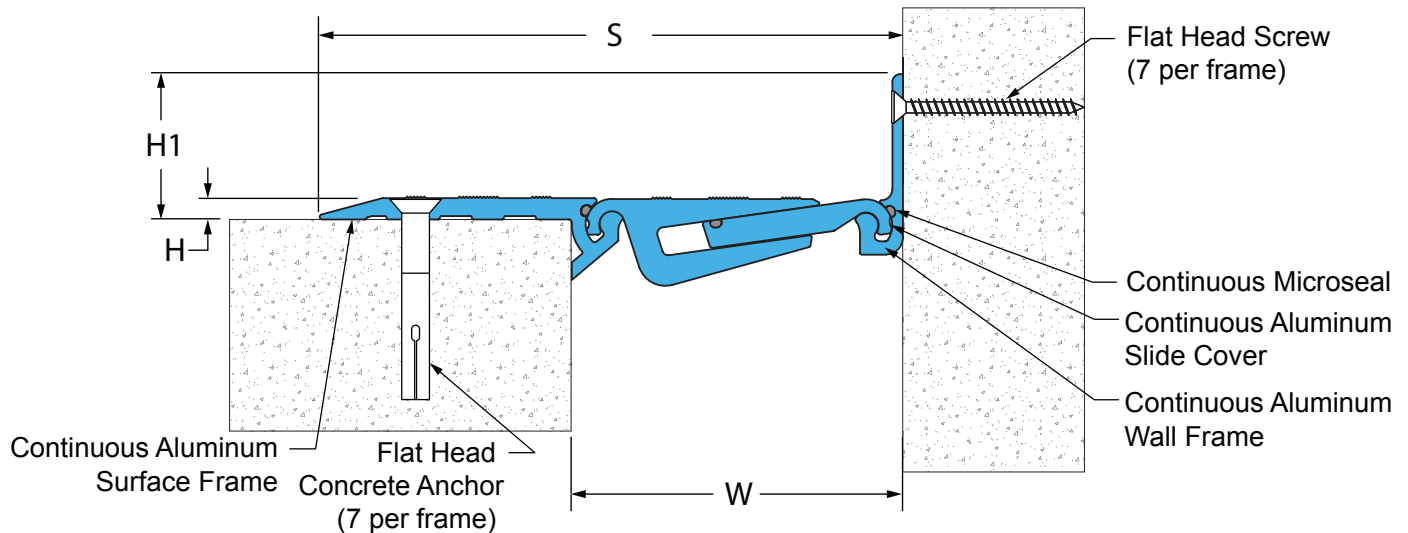
734 Series

Heavy Duty Slide Plate Systems

J734-A01-075 Floor/Floor
(3" (75mm) system shown)



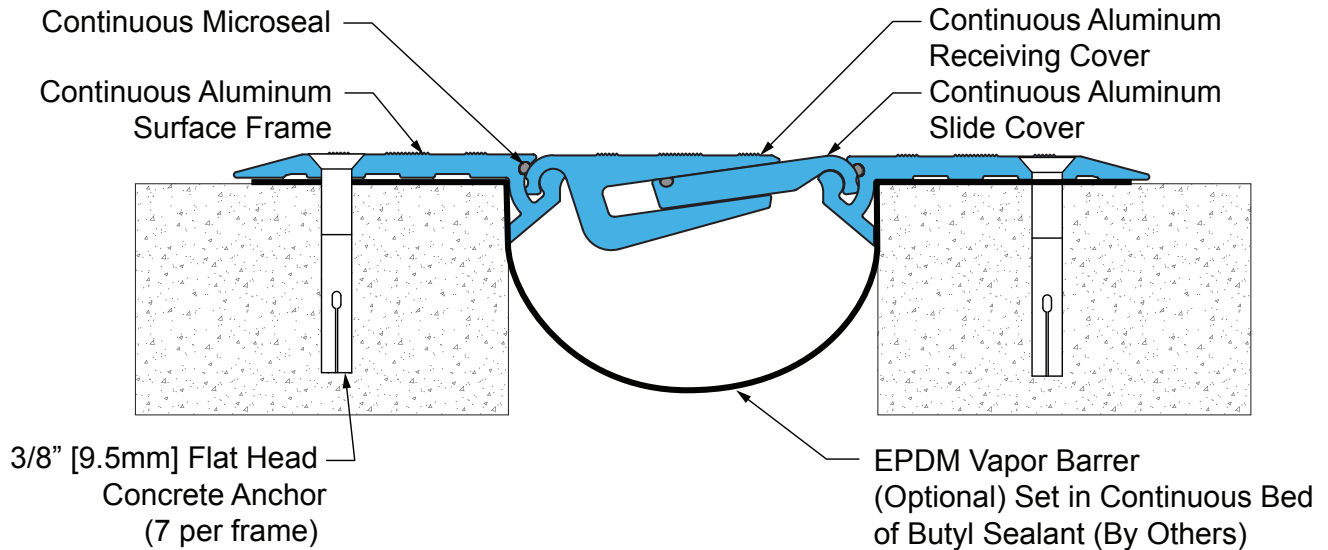
J734-A02-075 Floor/Wall
(3" (75mm) system shown)



734 Series

Heavy Duty Slide Plate Systems

J734-A01-050 Floor/Floor
(Vapor Barrier Shown)



J734-A01-050 Floor/Floor
(Fire Barrier Shown)

