

3/8" X 2 1/2" [9.5X63] FLAT HEAD CONCRETE SLEEVE ANCHOR (JK131) (7 PER FRAME @ 18" [457mm] O.C.)

734-A01-050

JOINT WIDTH		MOVEMENT ±			
		HORIZONTAL		VERTICAL	
US	mm	US	mm	US	mm
2"	50	3/16"	5	3/16"	5

FINISH: MILL
PROJECT:
CUSTOMER:
LOCATION:

APPLICATION-
FLOOR/FLOOR HEAVY DUTY
SURFACE MOUNT SLIDE PLATE

DATE:	10/16/17
SCALE:	1:1
DOC:	CADJM.196/R 1



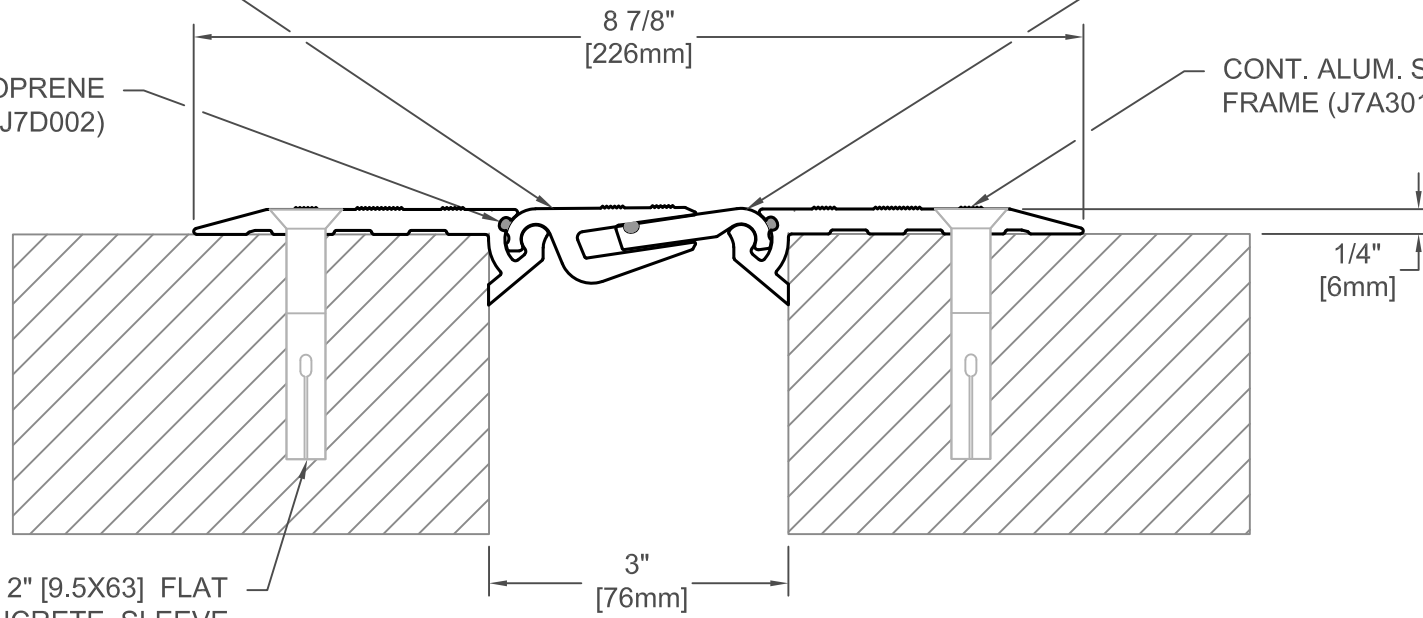
For More Information Visit: Inprocorp.com

CONT. ALUM. RECEIVING COVER (J7C303)

CONT. ALUM. SLIDE COVER (J7C304)

CONT. SANTOPRENE MICROSEAL (J7D002)

CONT. ALUM. SURFACE FRAME (J7A301-F)



3/8" X 2" [9.5X63] FLAT HEAD CONCRETE SLEEVE ANCHOR (JK131) (7 PER FRAME @ 18" [457mm] O.C.)

734-A01-075

JOINT WIDTH		MOVEMENT ±			
		HORIZONTAL		VERTICAL	
US	mm	US	mm	US	mm
3"	75	1/2"	12	1/2"	12

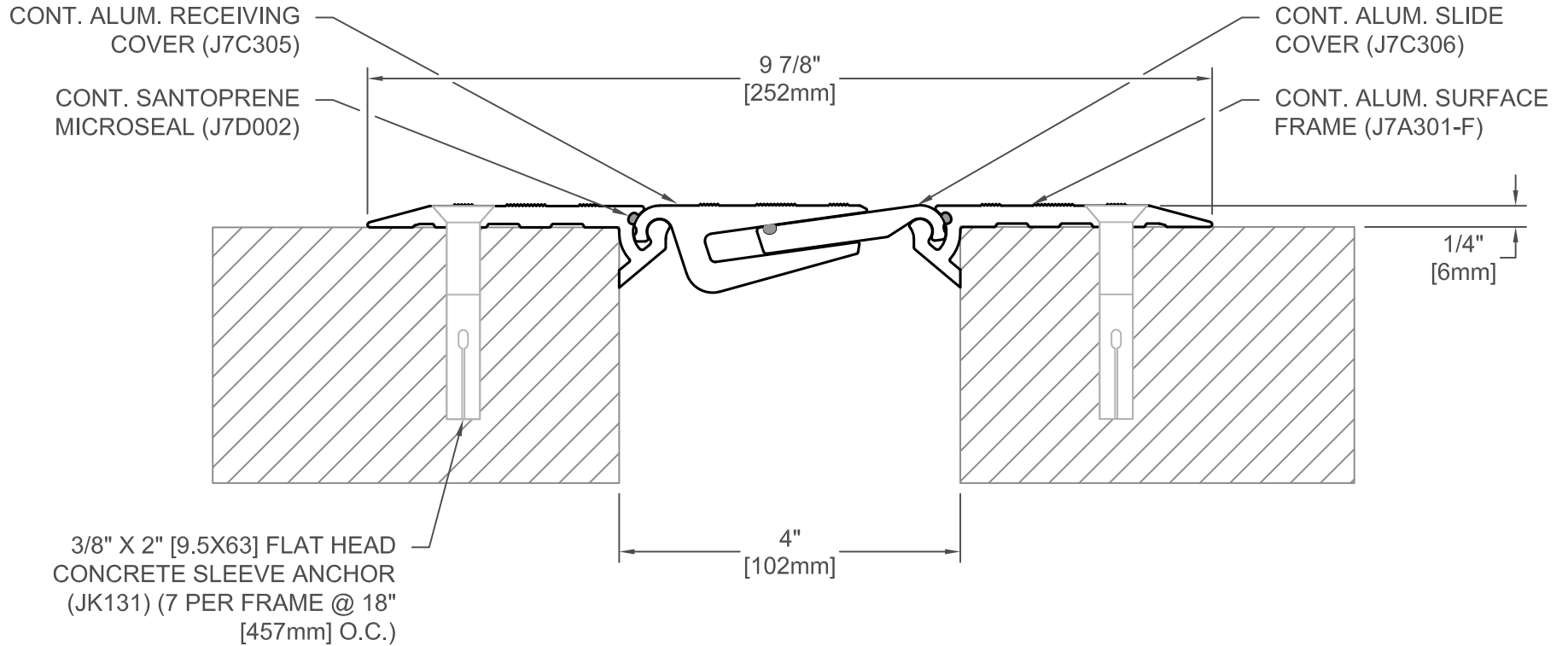
FINISH: MILL
PROJECT:
CUSTOMER:
LOCATION:

APPLICATION-
FLOOR/FLOOR HEAVY DUTY
SURFACE MOUNT SLIDE PLATE

DATE:	10/16/17
SCALE:	1:2
DOC:	CADJM.196/R 1



For More Information Visit: Inprocorp.com



734-A01-100

JOINT WIDTH		MOVEMENT ±			
		HORIZONTAL		VERTICAL	
US	mm	US	mm	US	mm
4"	100	3/4"	20	3/4"	20

FINISH: MILL

PROJECT:

CUSTOMER:

LOCATION:

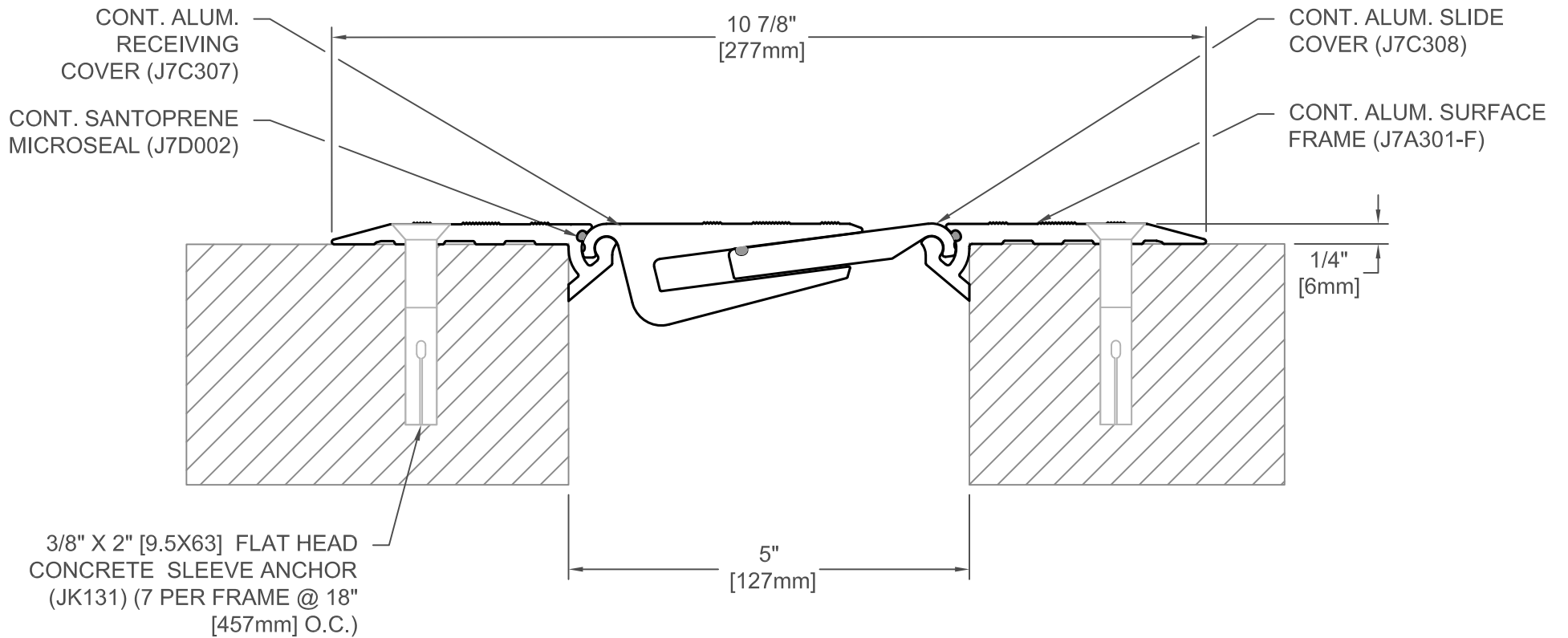
APPLICATION-
FLOOR/FLOOR HEAVY DUTY
SURFACE MOUNT SLIDE PLATE

DATE: 10/16/17

SCALE: 1:2

DOC: CADJM.196/R 1

inpro.
For More Information Visit: Inprocorp.com



734-A01-125

JOINT WIDTH		MOVEMENT ±			
		HORIZONTAL		VERTICAL	
US	mm	US	mm	US	mm
5"	125	1"	25	1"	25

FINISH: MILL

PROJECT:

CUSTOMER:

LOCATION:

APPLICATION-
FLOOR/FLOOR HEAVY DUTY
SURFACE MOUNT SLIDE PLATE

DATE: 10/16/17

SCALE: 1:2

DOC: CADJM.196/R 1

inpro.
For More Information Visit: Inprocorp.com