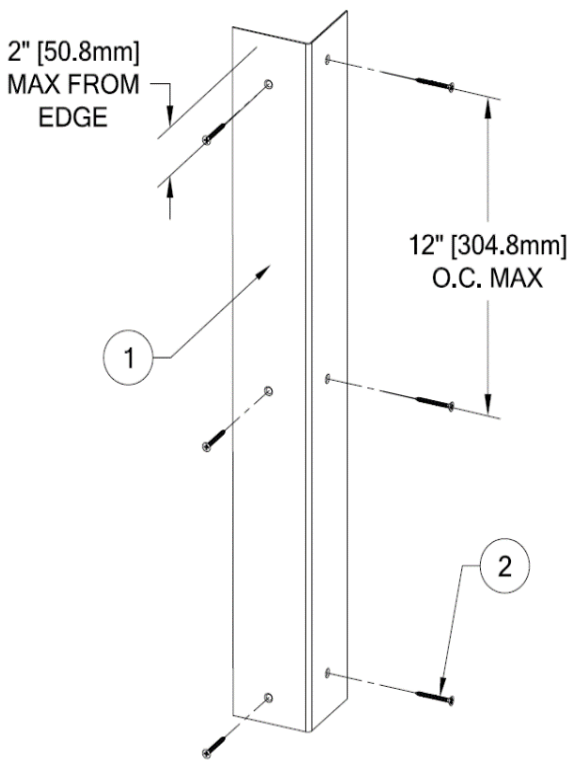
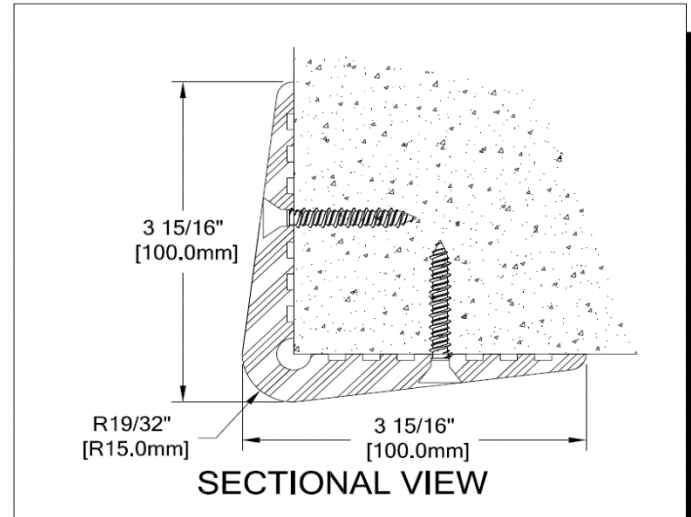


**ATTENTION**

Please read these instructions thoroughly prior to beginning the **HC-100C** installation!

This instruction sheet is intended to provide a specific guide to follow for the installation of the **HC-100C**. Contained within is the technical information and installation techniques required to complete an efficient, neat, and long-lasting installation.

See "**Industrial Bumper and Corner Guard**– Supplemental Information" sheet for additional notes and other helpful installation tips.



**Parts List**

1. HC-100C Industrial Corner Guard (24N025000)
2. Specified Fasteners

**INSTALLATION INSTRUCTIONS**

1. Layout the work and spot check the material for any damage that may have occurred during shipping and/or handling at the jobsite. Always store the material flat to avoid creating kinks.
2. Take measurements of the corner to be protected and, if necessary, cut the corner guard to length.
3. Drill the corner guard max 2" [50.8mm] from edge and 12" [304.8mm] max on center. Reference Chart below for drill diameters
4. If the unit is not fitted floor to ceiling, the exposed end should be sealed with black sealant.
5. Remove the protective film and clean product of any obvious dirty marks using mild detergent and water.

WALL CONDITION	SPECIFIED FASTENER	DRILL DIAMETER		CS PART NUMBER
		WALL	GUARD	
Concrete / Concrete Block	1/4" x 1-3/4" Phillips Flat Head Tapcon	3/16"	5/16"	90H940002

Hughesville, PA | 800.233.8493 | 570.546.5941  
 Mississauga, ON | 888.895.8955 | 905.274.3611

[www.c-sgroup.com](http://www.c-sgroup.com)  
[IWPTechSupport@c-sgroup.com](mailto:IWPTechSupport@c-sgroup.com)