

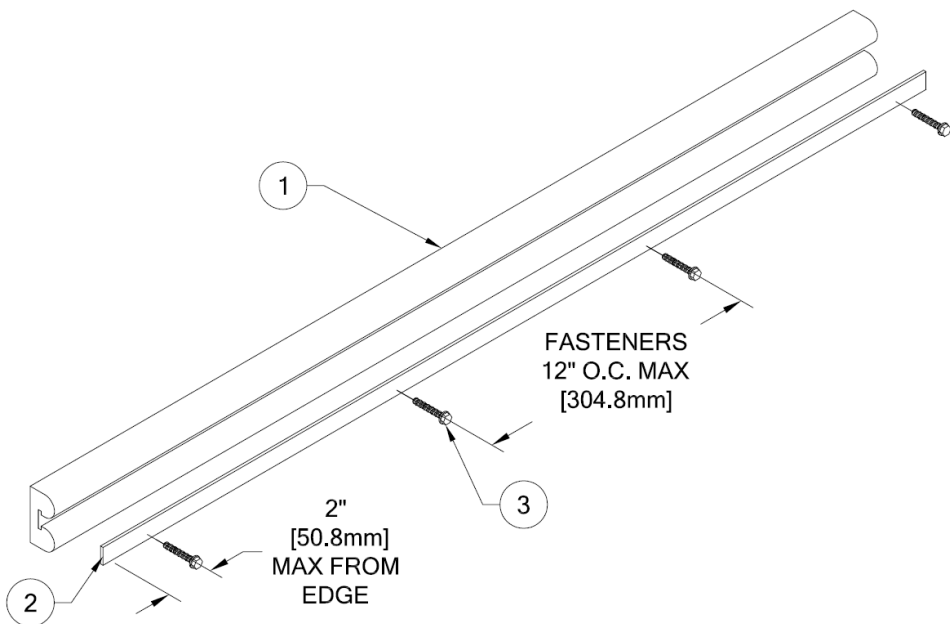
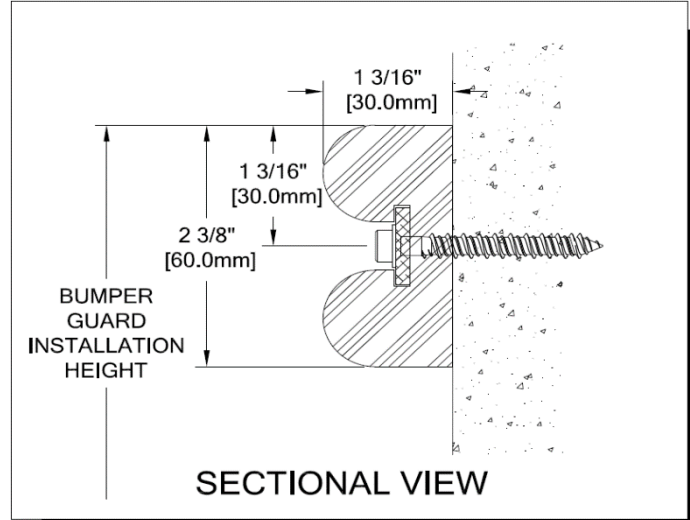
ATTENTION

Please read these instructions thoroughly prior to beginning the **HB-60B** installation!

This instruction sheet is intended to provide a specific guide to follow for the installation of the **HB-60B**. Contained within is the technical information and installation techniques required to complete an efficient, neat, and long-lasting installation.

See "**Industrial Bumper and Corner Guard**– Supplemental Information" sheet for additional notes and other helpful installation tips.

Minimum length of **HB-60B** is 6" [152.4mm] and requires at least 2 fasteners per unit.



Parts List

1. HB-60B Industrial Bumper (24N022000)
2. Continuous Fixing Strip (24A368000)
3. Specified Fastener

Hughesville, PA | 800.233.8493 | 570.546.5941
 Mississauga, ON | 888.895.8955 | 905.274.3611

www.c-sgroup.com
IWPTECHSupport@c-sgroup.com

INSTALLATION INSTRUCTIONS

1. Establish bumper guard height above finish floor. Deduct 1-3/16" [30.0mm] and snap a chalk line at that height. This marks the centerline location of the fasteners for the bumper guard.
2. Measure the area of the wall in which the bumper guard will be installed and cut the bumper guard unit to length.

Note: Bumper guard at inside and outside corners are to be field mitered.

3. Cut the aluminum fixing strip to the appropriate length of guard. Pre-drill clearance holes in the fixing strip 2" [50.8mm] from each end and 12" [304.8mm] max on center. Reference chart below for correct drill diameters.
4. Slide the fixing strip into the slot on the front of the guard and using the pre-drilled holes as a template, drill clearance holes in the guard. Reference chart below for correct drill diameters.
5. Using the guard and fixing strip as a template, mark the fastener locations on the wall then pre-drill the wall for specified fasteners. Reference chart below for correct drill diameters.
6. Install the bumper guard unit using the specified fasteners. Be careful not to over tighten fasteners. Use a level line to insure the bumper guard is level.
7. Once bumper guard is on the wall, clean product of any obvious dirty marks using mild detergent and water.

WALL CONDITION	SPECIFIED FASTENER	DRILL DIAMETER		CS PART NUMBER
		WALL	BUMPER	
Concrete / Concrete Block	1/4" x 1-3/4" Hex Washer Head Tapcon	3/16"	5/16"	90H936002
Steel Stud and Gypsum wall brd	1/4" x 3" Round Head Toggle Bolt with Toggle Wing	3/4"	9/32"	90H045002
Wood Stud and Gypsum wall brd	1/4" x 1-3/4" Hex Washer Head Tapcon	3/16"	5/16"	90H936002

Hughesville, PA | 800.233.8493 | 570.546.5941
 Mississauga, ON | 888.895.8955 | 905.274.3611

www.c-sgroup.com
IWPTechSupport@c-sgroup.com