

RFA & RFWA Series

A product of C/S Restofit Joint Systems

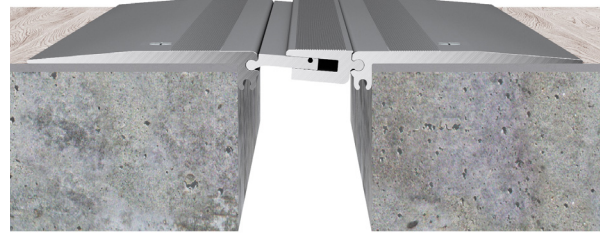
Technical Data:

Aluminum

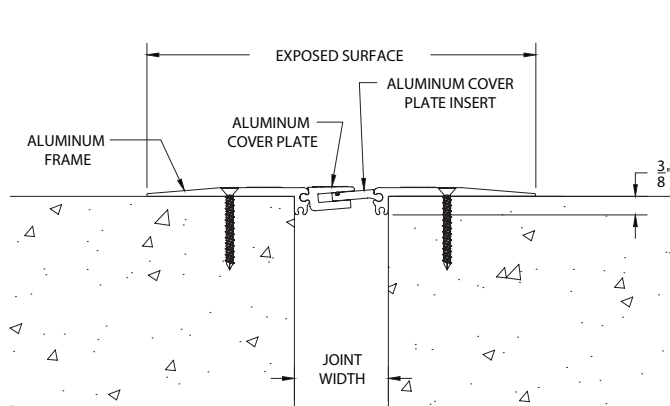
- Extrusion – CS uses multiple alloys & tempers which are established to be the most appropriate for the given use of individual parts. Will be one of the following: (6063-T5, T6, T52) (6061-T5, T6, T51) (6105-T5, T6) (6005-T5) (6005A-T5, T61), ASTM B221

Standard Loading

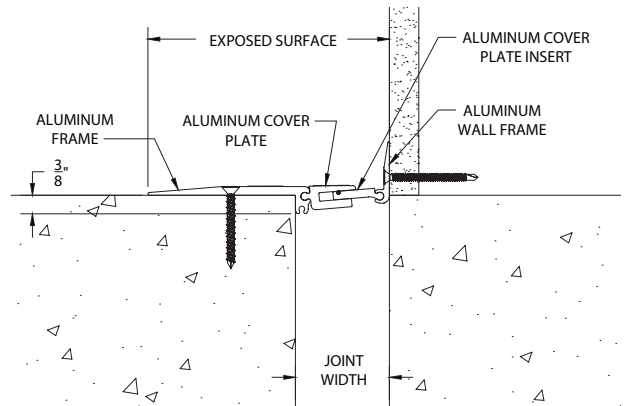
- 500 lbs
- Custom (over 500 lbs – based on the project)
- Heavy-Duty



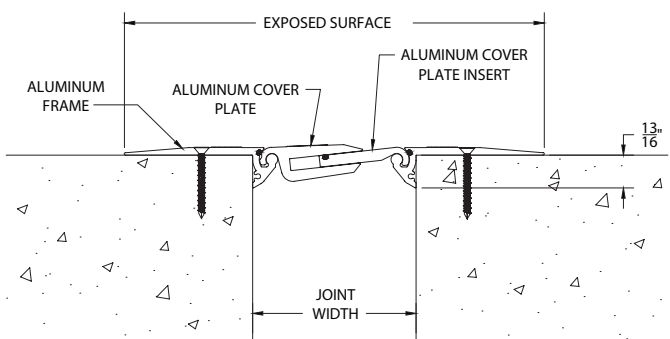
MODEL	JOINT WIDTH	MINIMUM OPENING	MAXIMUM OPENING	EXPOSED SURFACE	BLOCKOUT WIDTH	BLOCKOUT HEIGHT
RFA-200	2.00" (51mm)	1.75" (44mm)	2.25" (57mm)	8.25" (210mm)	N/A	N/A
RFA-300	3.00" (76mm)	2.63" (67mm)	3.38" (86mm)	9.25" (235mm)	N/A	N/A
RFA-400	4.00" (102mm)	3.38" (86mm)	4.63" (118mm)	10.25" (260mm)	N/A	N/A
RFWA-200	2.00" (51mm)	1.75" (44mm)	2.25" (57mm)	5.13" (130mm)	N/A	N/A
RFWA-300	3.00" (76mm)	2.63" (67mm)	3.38" (86mm)	6.13" (156mm)	N/A	N/A
RFWA-400	4.00" (102mm)	3.38" (86mm)	4.63" (118mm)	7.13" (181mm)	N/A	N/A



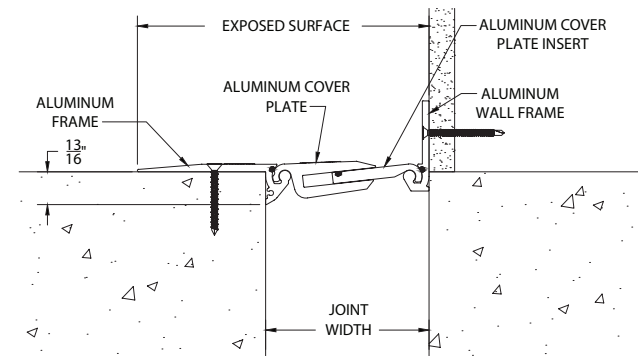
RFA-200



RFWA-200



RFA-300/400



RFWA-300/400