

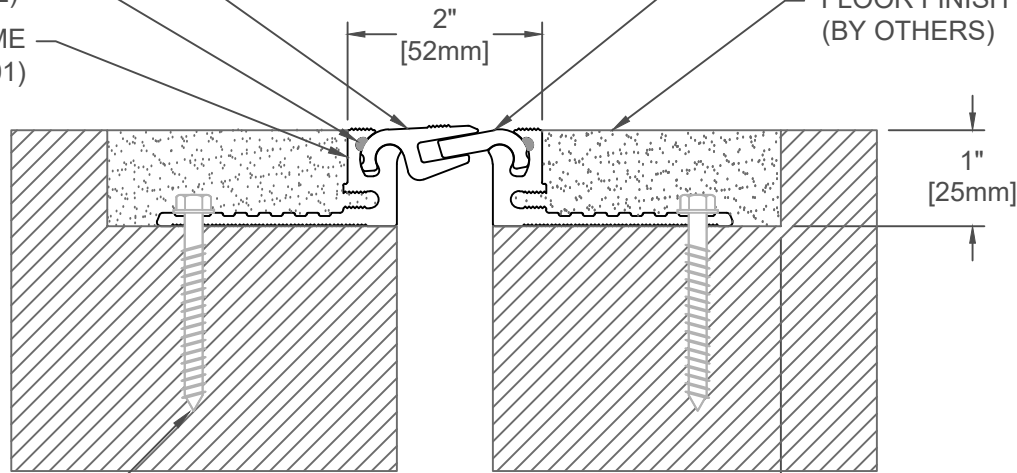
CONT. ALUM. RECEIVING COVER  
(J7C305)

CONT. SANTOPRENE MICROSEAL  
(J7D002)

CONT. ALUM. RECESSED FRAME  
(J7A301-01)

CONT. ALUM. SLIDE COVER  
(J7C306)

FLOOR FINISH & BACK FILL  
(BY OTHERS)



1/4" x 2 1/4 [M6x1 x 56] HEX  
HEAD CONCRETE SCREWS  
(7 PRE FRAME @ 18"  
[457mm] O.C.) (JK001)

3"  
[76mm]  
MIN. BLOCKOUT  
PER SIDE

### 733R-A01-025

JOINT WIDTH		MOVEMENT ±			
		HORIZONTAL		VERTICAL	
US	mm	US	mm	US	mm
1"	25	3/16"	5	3/16"	5

FINISH: MILL
PROJECT:
CUSTOMER:
LOCATION:

APPLICATION-  
FLOOR/FLOOR HEAVY DUTY  
RECESSED MOUNT SLIDE PLATE

DATE:	8-15-25
SCALE:	1:2
DOC:	CADJM.273/R1

**inpro.**

For More Information Visit: [Inprocorp.com](http://Inprocorp.com)

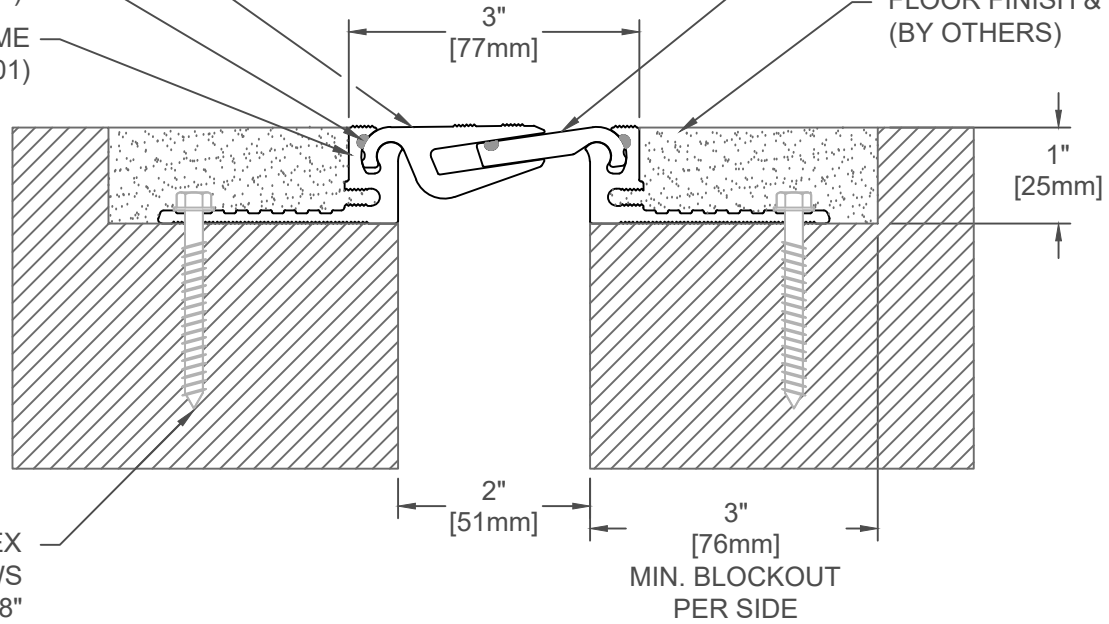
CONT. ALUM. RECEIVING COVER  
(J7C305)

CONT. SANTOPRENE MICROSEAL  
(J7D002)

CONT. ALUM. RECESSED FRAME  
(J7A301-01)

CONT. ALUM. SLIDE COVER  
(J7C306)

FLOOR FINISH & BACK FILL  
(BY OTHERS)



1/4" x 2 1/4 [M6x1 x 56] HEX  
HEAD CONCRETE SCREWS  
(7 PRE FRAME @ 18"  
[457mm] O.C.) (JK001)

### 733R-A01-050

JOINT WIDTH		MOVEMENT ±			
		HORIZONTAL		VERTICAL	
US	mm	US	mm	US	mm
2"	50	1/2"	12	1/2"	12

FINISH: MILL
PROJECT:
CUSTOMER:
LOCATION:

APPLICATION-  
FLOOR/FLOOR HEAVY DUTY  
RECESSED MOUNT SLIDE PLATE

DATE:	8-15-25
SCALE:	1:2
DOC:	CADJM.273/R1



For More Information Visit: [Inprocorp.com](http://Inprocorp.com)

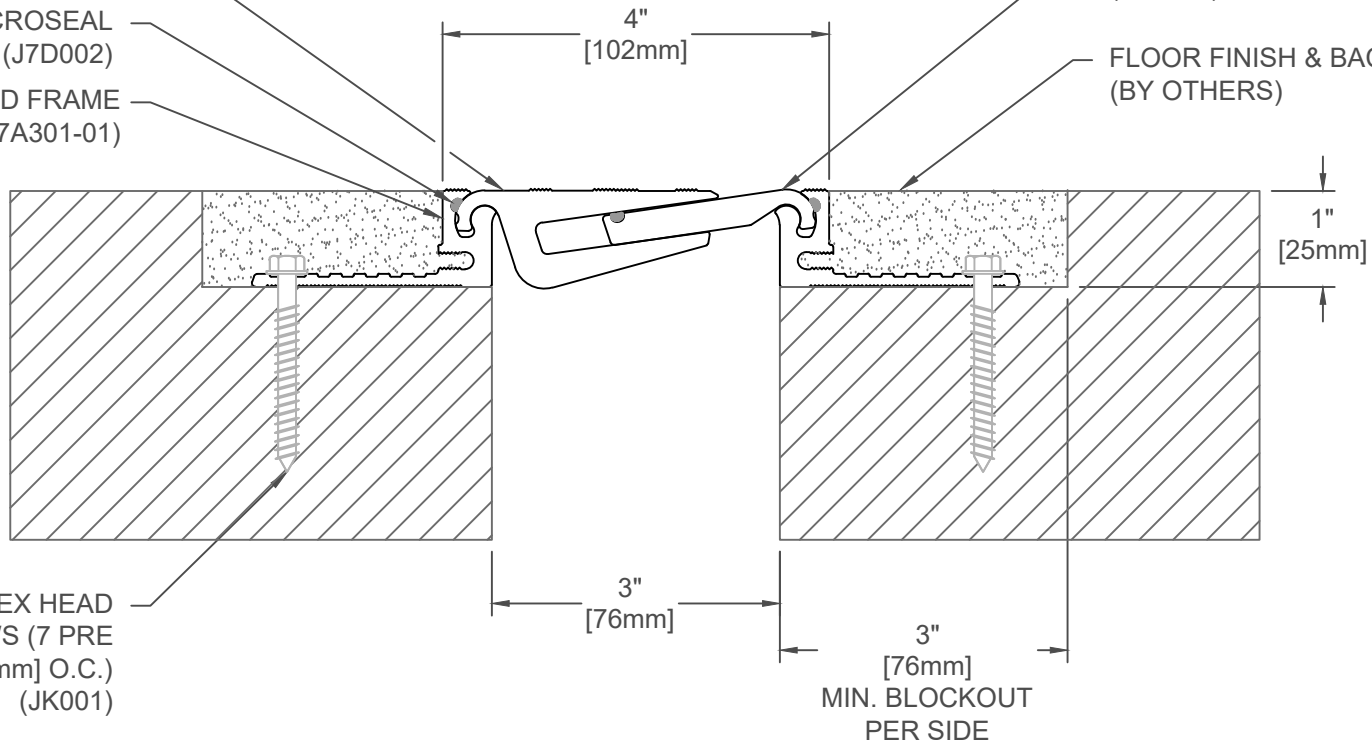
CONT. ALUM. RECEIVING COVER  
(J7C305)

CONT. SANTOPRENE MICROSEAL  
(J7D002)

CONT. ALUM. RECESSED FRAME  
(J7A301-01)

CONT. ALUM. SLIDE COVER  
(J7C306)

FLOOR FINISH & BACK FILL  
(BY OTHERS)



1/4" x 2 1/4 [M6x1 x 56] HEX HEAD  
CONCRETE SCREWS (7 PRE  
FRAME @ 18" [457mm] O.C.)  
(JK001)

### 733R-A01-075

JOINT WIDTH		MOVEMENT ±			
		HORIZONTAL		VERTICAL	
US	mm	US	mm	US	mm
3"	76	3/4"	20	3/4"	20

FINISH: MILL
PROJECT:
CUSTOMER:
LOCATION:

APPLICATION-  
FLOOR/FLOOR HEAVY DUTY  
RECESSED MOUNT SLIDE PLATE

DATE:	8-15-25
SCALE:	1:2
DOC:	CADJM.273/R1

**inpro.**

For More Information Visit: [Inprocorp.com](http://Inprocorp.com)

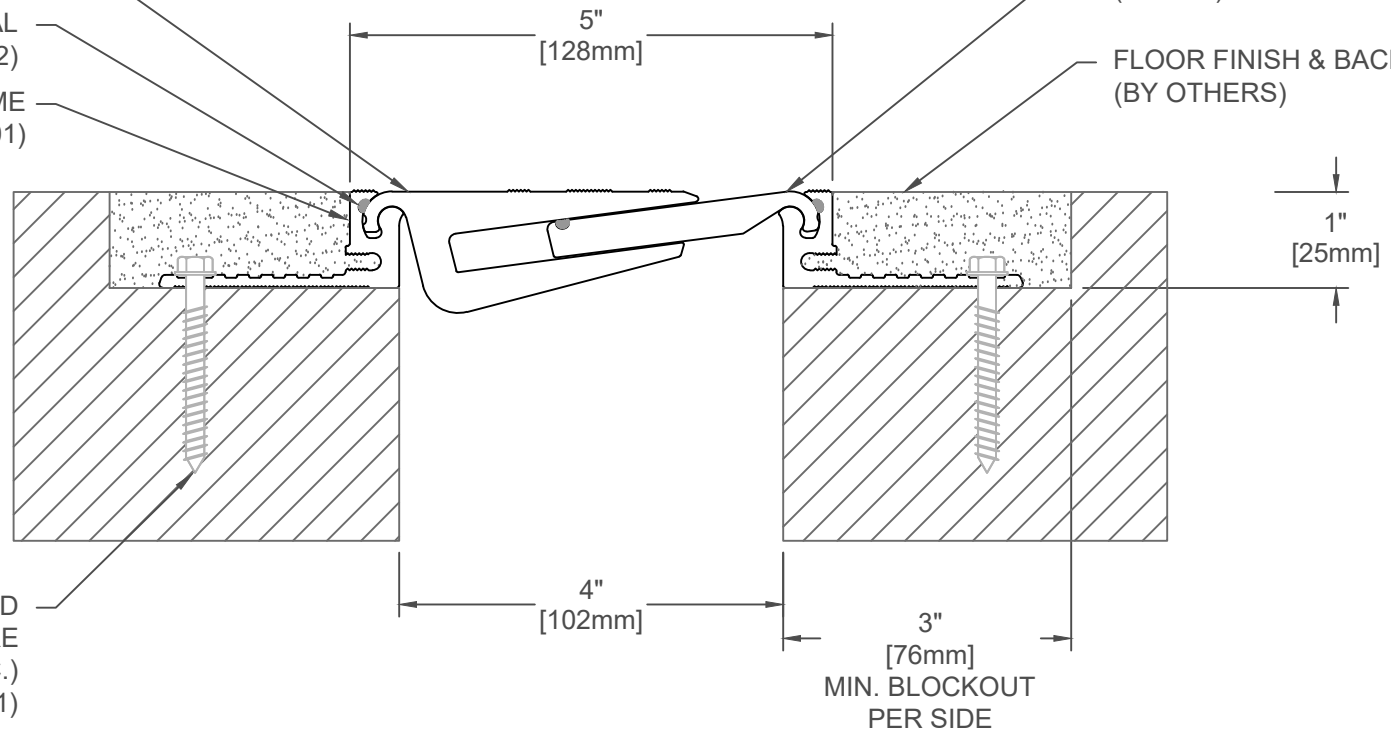
CONT. ALUM. RECEIVING COVER  
(J7C305)

CONT. SANTOPRENE MICROSEAL  
(J7D002)

CONT. ALUM. RECESSED FRAME  
(J7A301-01)

CONT. ALUM. SLIDE COVER  
(J7C306)

FLOOR FINISH & BACK FILL  
(BY OTHERS)



1/4" x 2 1/4 [M6x1 x 56] HEX HEAD  
CONCRETE SCREWS (7 PRE  
FRAME @ 18" [457mm] O.C.)  
(JK001)

### 733R-A01-100

JOINT WIDTH		MOVEMENT ±			
		HORIZONTAL		VERTICAL	
US	mm	US	mm	US	mm
4"	100	1"	25	1"	25

FINISH: MILL
PROJECT:
CUSTOMER:
LOCATION:

APPLICATION-  
FLOOR/FLOOR HEAVY DUTY  
RECESSED MOUNT SLIDE PLATE

DATE:	8-15-25
SCALE:	1:2
DOC:	CADJM.273/R1

**inpro.**

For More Information Visit: [Inprocorp.com](http://Inprocorp.com)