



ACUDOR Products Inc.

(Address 1) 80 Little Falls Rd. Fairfield NJ 07004 USA
 (Address 2) 4216 N. Pecos Rd, Ste. 104 Las Vegas, NV 89115
 Tel : 800-722-0501 Fax : (973) 575-5160
 www.acudor.com e-mail : info@acudor.com

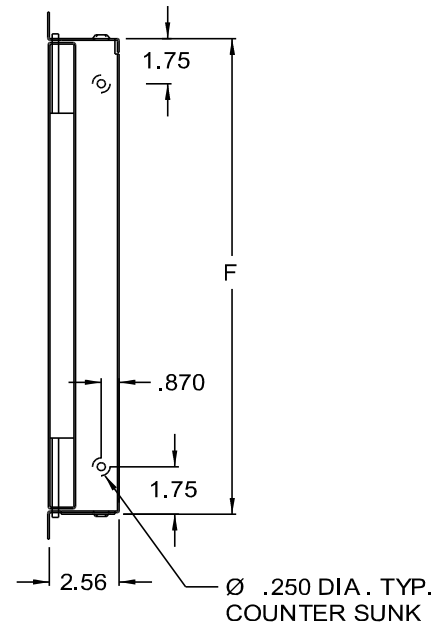
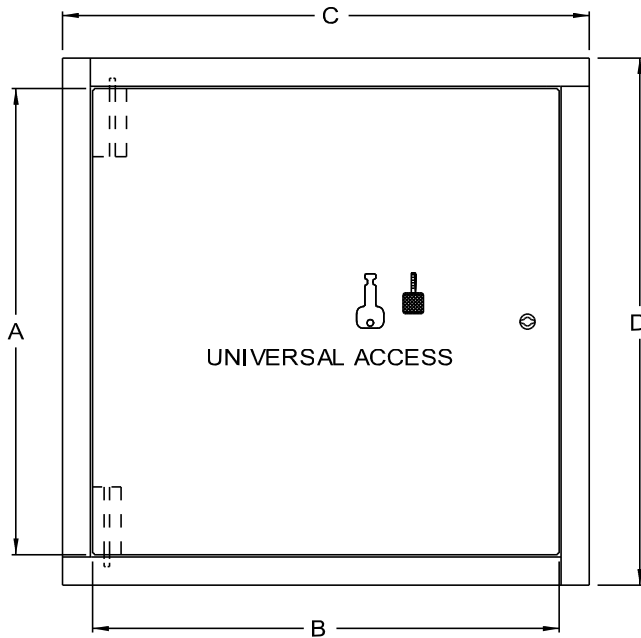
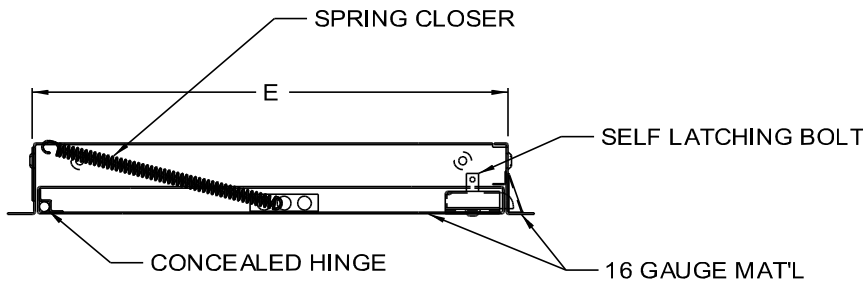
FB-5060

FIRE RATED - FOR WALLS

QTY.	NOMINAL SIZE	A	B	C	D	E	F	LOCK
	8 X 8 (203 X 203)	7.78 (198)	7.78 (198)	10 (254)	10 (254)	8.12 (206)	8.12 (206)	1
	10 x 10 (254 x 254)	9.78 (248)	9.78 (248)	12 (305)	12 (305)	10.12 (257)	10.12 (257)	1
	12 x 12 (305 x 305)	11.78 (299)	11.78 (299)	14 (356)	14 (356)	12.12 (308)	12.12 (308)	1
	14 x 14 (356 x 356)	13.78 (350)	13.78 (350)	16 (406)	16 (406)	14.12 (359)	14.12 (359)	1
	16 x 16 (406 x 406)	15.78 (401)	15.78 (401)	18 (457)	18 (457)	16.12 (409)	16.12 (409)	1
	18 x 18 (457 x 457)	17.78 (452)	17.78 (452)	20 (508)	20 (508)	18.12 (460)	18.12 (460)	1
	24 x 24 (610 x 610)	23.78 (604)	23.78 (604)	26 (660)	26 (660)	24.12 (613)	24.12 (613)	1

WALLS

Approved by Underwriters Laboratories (UL) for 1 1/2 hours "B" label in walls and ULC for 2 hours "B" label in walls.



STANDARD FEATURES: UNIVERSAL SELF LATCHING BOLT- OPERATED BY KNURLED KNOB / FLUSH KEY/ AND INSIDE TURN RELEASE.
OPTIONS: CARBON STEEL, PRIME COAT BAKED ENAMEL FINISH

- | | | |
|---|--|--|
| <input type="checkbox"/> LOCK TYPE | <input type="checkbox"/> MATERIAL | <input type="checkbox"/> FINISH |
| <input type="checkbox"/> RIM CYLINDER LOCK | <input type="checkbox"/> STAINLESS STEEL | <input type="checkbox"/> #4 SATIN POLISH |
| <input type="checkbox"/> PREPARED FOR MORTISE CYLINDER LOCK | <input type="checkbox"/> OTHER | <input type="checkbox"/> OTHER |

ALL FIRE RATED:

SPECIAL SIZES CAN BE ORDERED, BUT BASIC CONSTRUCTION MUST REMAIN CONSTANT TO COMPLY WITH UL AND ULC REGULATIONS.

JOB NAME:
CUSTOMER:

APPROVED BY:
DATE: