



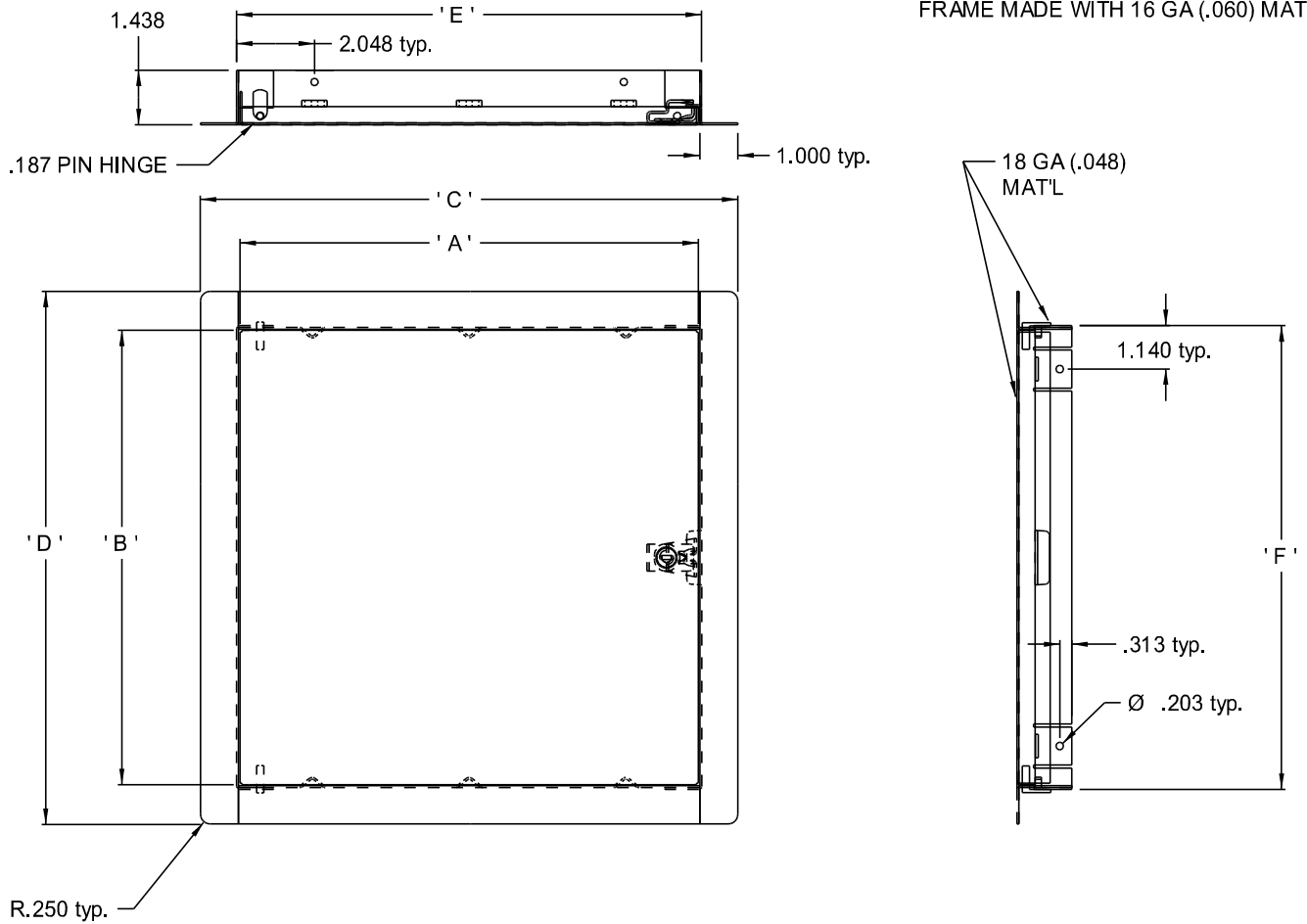
ACUDOR Products Inc.

(Address 1) 80 Little Falls Rd. Fairfield NJ 07004 USA
 (Address 2) 4216 N. Pecos Rd, Ste. 104 Las Vegas, NV 89115
 Tel : 800-722-0501 Fax : (973) 575-5160
 www.acudor.com e-mail : info@acudor.com

ED-2002

FLUSH ACCESS DOOR

QTY.	NOMINAL SIZE	A	B	C	D	E	F	LOCK
	6 x 6 (152 x 152)	6.04 (153)	5.95 (151)	8.125 (206)	8.00 (203)	6.22 (158)	6.19 (157)	1
	8 x 8 (203 x 203)	8.04 (204)	7.95 (202)	10.125 (257)	10.00 (254)	8.22 (209)	8.19 (208)	1
	10 x 10 (254 x 254)	10.04 (255)	9.95 (253)	12.125 (308)	12.00 (305)	10.22 (260)	10.19 (259)	1
	12 x 12 (305 x 305)	12.04 (306)	11.95 (304)	14.125 (359)	14.00 (356)	12.22 (310)	12.19 (310)	1
	14 x 14 (356 x 356)	14.04 (357)	13.95 (354)	16.125 (410)	16.00 (406)	14.22 (361)	14.19 (360)	1
	16 x 16 (406 x 406)	16.04 (408)	15.95 (405)	18.125 (460)	18.00 (457)	16.22 (412)	16.19 (411)	1
	18 x 18 (457 x 457)	18.04 (458)	17.95 (456)	20.125 (511)	20.00 (508)	18.22 (463)	18.19 (462)	1
	20 x 20 (508 x 508)	20.04 (509)	19.95 (507)	22.125 (562)	22.00 (559)	20.22 (514)	20.19 (513)	1
	24 x 24 (610 x 610)	24.04 (611)	23.95 (608)	26.125 (663)	26.00 (660)	24.22 (615)	24.19 (614)	1
	* 24 x 36 (610 x 914)	24.04 (611)	35.95 (913)	26.125 (663)	38.00 (965)	24.25 (616)	36.25 (921)	2



STANDARD FEATURES: SLOTTED SCREW CAM LATCH, CARBON STEEL, POWDER COAT WHITE FINISH

OPTIONS:

- | | | |
|-------------------------------------------------|------------------------------------------|------------------------------------------|
| LOCK TYPE | MATERIAL | FINISH |
| <input type="checkbox"/> CYLINDER LOCK AND KEY | <input type="checkbox"/> STAINLESS STEEL | <input type="checkbox"/> #4 SATIN POLISH |
| <input type="checkbox"/> ALLEN HEAD CAM LATCH | | |
| <input type="checkbox"/> SPANNER HEAD CAM LATCH | | |
| <input type="checkbox"/> OTHER | | |

JOB NAME:
 CUSTOMER:

APPROVED BY:
 DATE: